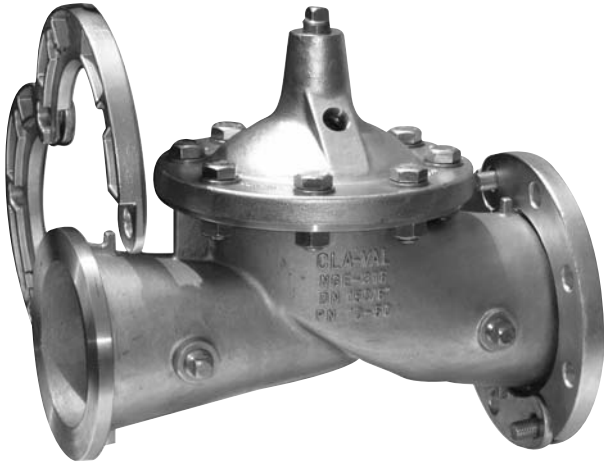




— MODEL — **100-44**
(Reduced Internal Port)

316SS Hytrol Valve

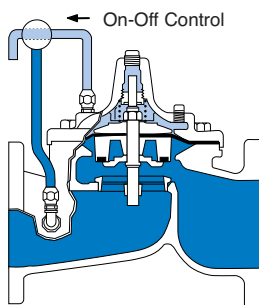


- All 316 Stainless Steel
- Reduced Cavitation Design
- Drip-Tight, Positive Sealing Action
- Service Without Removal From Line
- Every Valve Factory Tested
- Three-Year Warranty

The Cla-Val Model 100-44 Hytrol 316SS Valve is a hydraulically operated, diaphragm actuated, globe pattern valve with all 316 Stainless Steel metal parts. Specially designed 316 Stainless Steel removable slip-on flanges provide 150 or 300 ANSI class flange connections that meet ANSI and ISO standards. This valve is ideal for control valve applications where fluid compatibility is often a problem. The standard Electropolish finish on the 316 Stainless Steel parts offers extreme corrosion resistance to many industrial fluids such as seawater, high alkyl or high acid concentrations or other aggressive or corrosive fluids.

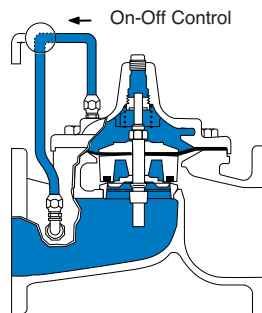
The Model 100-44 Hytrol consists of these major components: body, flanges, diaphragm assembly and cover. The diaphragm assembly is the only moving part and is guided top and bottom by a precision-machined stem. A non-wicking diaphragm of nylon fabric reinforced with synthetic rubber creates the control chamber for the valve. A resilient, synthetic rubber disc forms a drip-tight seal, with the renewable seat, when pressure is applied to the control chamber. The rugged simplicity of design and packless construction assures a long life of dependable, trouble-free operation. Smooth flow passages and fully guided diaphragm assembly assure optimum control, when used in piping systems requiring remote control, pressure regulation, solenoid operation, rate of flow control or check valve operation.

Principle of Operation



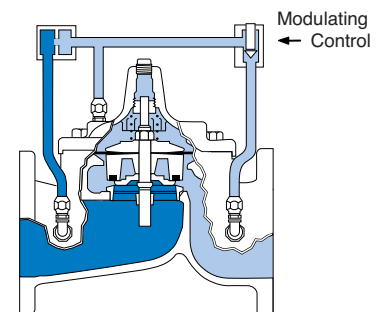
Full Open Operation

When pressure in the cover chamber is relieved to a zone of lower pressure, the line pressure at the valve inlet opens the valve, allowing full flow.



Tight Closing Operation

When pressure from the valve inlet is applied to the cover chamber, the valve closes drip-tight.



Modulating Action

The valve holds any intermediate position when operating pressure is equal above and below the diaphragm. Using a Cla-Val "Modulating" Control will allow the valve to automatically compensate for line pressure changes.



Specifications

Sizes

Globe (inch):
2", 2½", 3", 4", 6", 8", 10", 12"

End Detail

Slip-on Two Piece Flange
Dimensions Per ANSI B16.5

Pressure Rating

ANSI Class 150:
Maximum 285 psi
ANSI Class 300:
Maximum 400 psi

Higher Pressure Available
Please Contact Factory

Operating Temperature

Fluids Compatible with Valve
Materials
-40° to 180° F (-40° to 82° C)

Materials

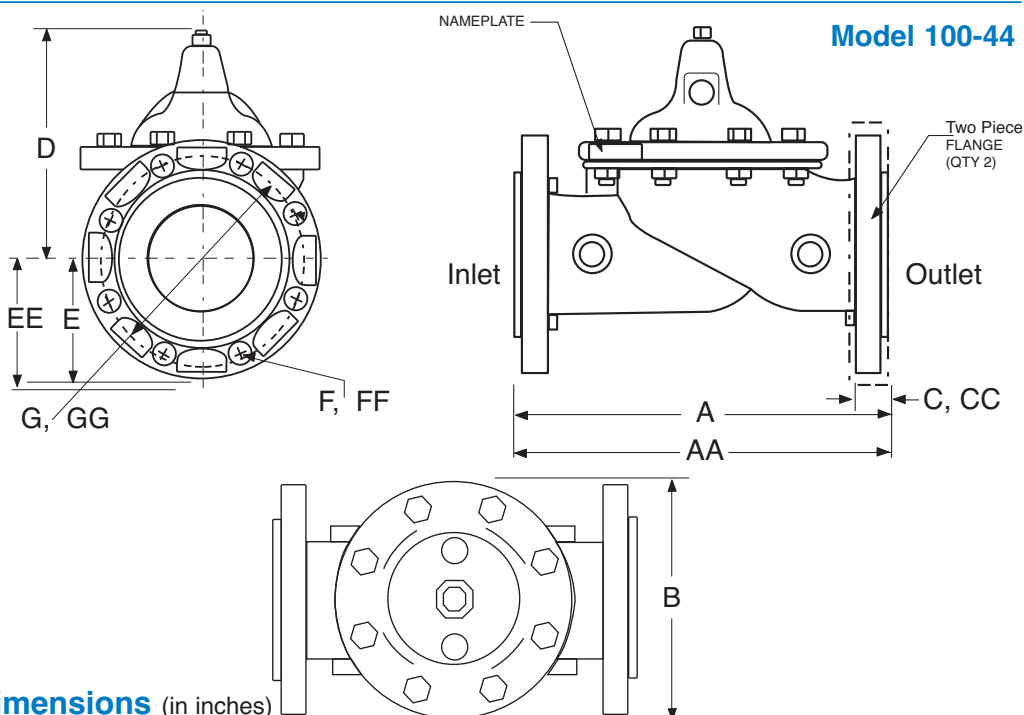
Body, Cover, Trim,
Diaphragm Assembly,
Flanges, and Fasteners
316 Series
Stainless Steel
Electropolished
Disc:
Buna-N® Rubber*
Diaphragm:
Nylon Fabric Reinforced
Synthetic Buna-N® Rubber*

* Contact Factory for Other
Disc or Diaphragm Materials

Note: 100-44 valve uses the same
internal parts as the basic Cla-Val
standard main reduced internal
port 100-20 Hytrol.

Dimensions (in inches)

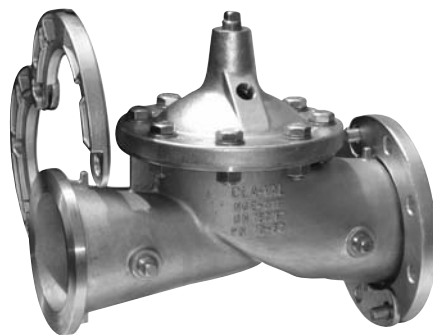
Size (Inches)	2	2 ½	3	4	6	8	10	12
Size (mm)	50	65	80	100	150	200	250	300
A 150 ANSI	9.06	11.42	12.20	13.78	18.90	23.62	28.74	33.46
AA 300 ANSI	9.06	11.42	12.20	13.78	18.90	23.62	28.74	33.46
B	5.70	8.06	6.69	9.25	11.61	15.75	20.08	23.62
C	.89	.89	.93	.93	1.02	1.15	1.15	1.25
CC 300 ANSI	.96	.96	1.00	1.00	1.10	1.15	1.46	1.50
D	6.50	7.95	8.20	10.12	13.32	16.39	19.12	20.95
E	3.05	3.54	3.74	4.53	5.61	6.79	7.97	9.55
EE 300 ANSI	3.25	3.75	4.13	5.01	6.30	7.48	8.76	10.24
F	.71	.71	.71	.71	.91	.87	1.02	1.02
FF 300 ANSI	.71	.75	.87	.87	.87	1.03	1.16	1.34
G	4.75	5.50	6.00	7.50	9.50	11.75	14.25	17.00
GG 300 ANSI	5.00	5.88	6.62	7.88	10.62	13.00	15.25	17.72
Flange Bolts (150 Class)	4	4	4	8	8	8	12	12
Flange Bolts (300 Class)	8	8	8	8	12	12	16	16
Approx. Ship Wt. Lbs.	25	40	40	75	160	290	419	728
Approx. Ship Wt. Kgs.	11.4	19	19	35	73	132	190	330



Reduced Port Functional Data

Size (Inches)	Cv (gpm)*	Cv (l/s)**
2	38	9
2½	50	12
3	67	16
4	138	33
6	242	58
8	555	133
10	923	222
12	1492	359

*Cv = gpm flow at 1 psi drop
**Cv = l/s flow at 1 bar drop



When Ordering Please Specify:

1. Catalog No. 100-44
2. Valve Size
3. Fluid Being Handled
4. Fluid Temperature
5. Inlet Pressure Range
6. Outlet Pressure Range
7. Maximum and Minimum Differential Pressure
8. Flow Rate Range

Represented By:



CLA-VAL

PO Box 1325 Newport Beach CA 92659-0325 • Phone: 949-722-4800
Fax: 949-548-5441 • Web Site: cla-val.com • E-mail: claval@cla-val.com

CLA-VAL CANADA

4687 Christie Drive
Beamsville, Ontario
Canada L0R 1B4
Phone: 905-563-4963
Fax: 905-563-4040
E-Mail: sales@cla-val.ca

CLA-VAL EUROPE

Chemin des Mésanges 1
CH-1032 Romanel/
Lausanne, Switzerland
Phone: 41-21-643-15-55
Fax: 41-21-643-15-50
E-Mail: cla-val@cla-val.ch

CLA-VAL UK

Dainton House, Goods Station Road
GB - Tunbridge Wells
Kent TN1 2 DH England
Phone: 44-1892-514-400
Fax: 44-1892-543-423
E-Mail: info@cla-val.co.uk