



— MODEL — **351GF-15**

Hydrant Coupler



- Conforms to API Bulletin 1584
- Large Radius Elbow Provides Lower Pressure Loss
- Rugged Carrying Handle
- Available with Either 4" Elbow or Transition Elbow for 3" Discharge Connections
- Coupler can Swivel 360° After Connection to Adapter
- Aluminum/Stainless Steel Internals
- Temperature Range -40° to +180° F

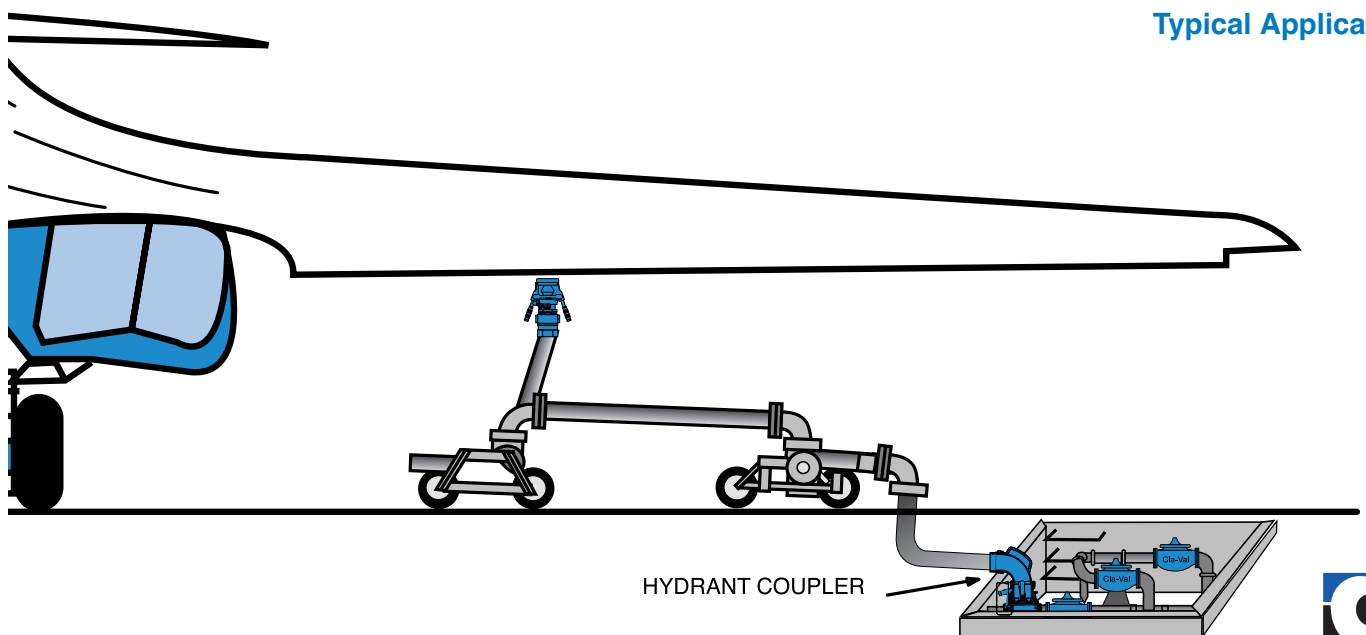
The Cla-Val Model 351GF-15 Hydrant Coupler connects to any API-style hydrant pit adapter or hydrant pit valve to allow pressurized delivery of fuel to aircraft. Constructed of high-strength stainless steel and aluminum, the Cla-Val 344GF-15 Hydrant Coupler conforms to API Bulletin 1584.

To maximize safe refueling, the operating handle of the Cla-Val 351GF-15 Hydrant Coupler cannot be rotated when the coupler is not connected to an adapter. When the coupler is connected to an adapter, the operating handle must be in the fully closed position to remove the coupler.

To reduce overall pressure loss, the Cla-Val 351GF-15 Hydrant Coupler

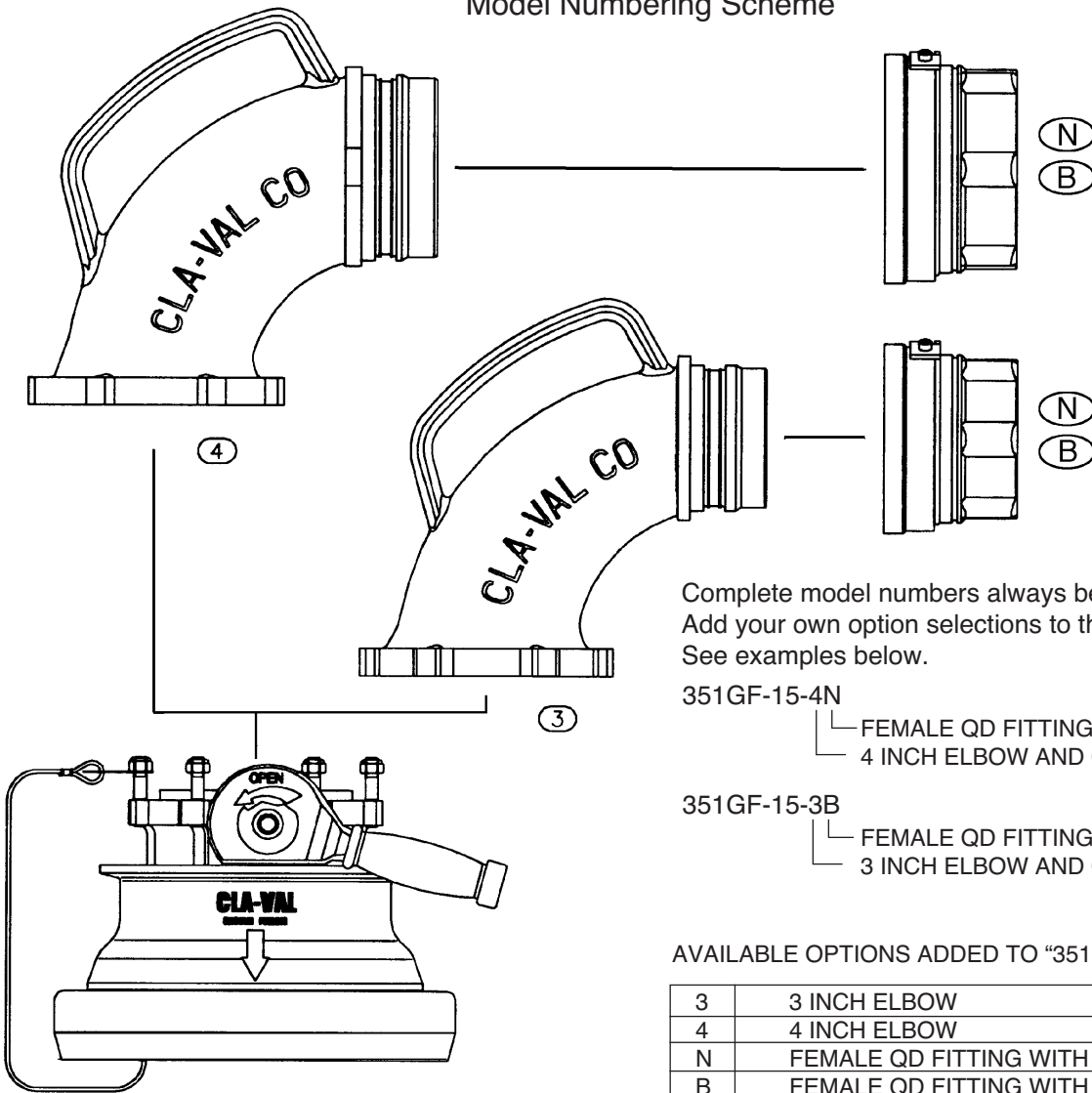
features a large radius elbow. Lower head loss means faster refueling times. The coupler is available with either a 4" elbow or a transition elbow for a 3" discharge connection. Both elbows also include rugged carrying handles.

Typical Application

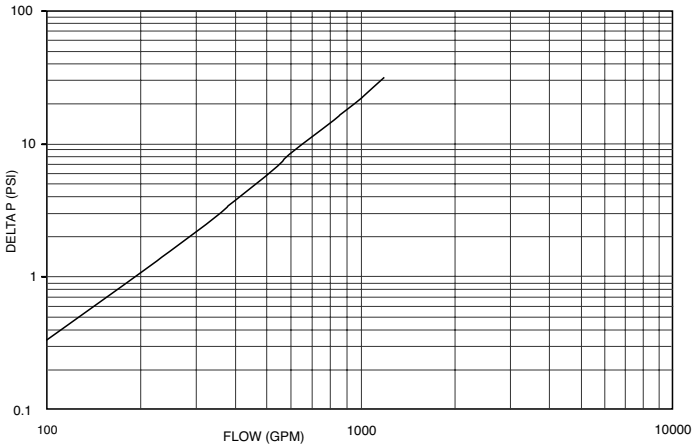


351GF-15 Hydrant Coupler

Model Numbering Scheme

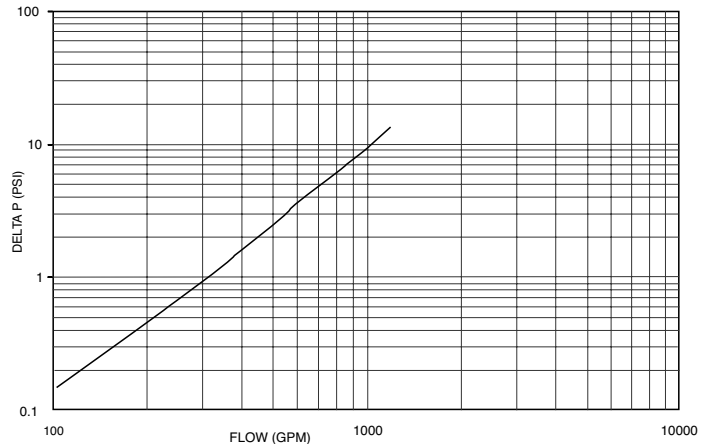


351GF-15 3" HYDRANT COUPLER
 FLOW CURVE FOR CLA-VAL P/N 200077-01D



351GF-15 3" - weight 21.4 lbs.

351GF-15 4" HYDRANT COUPLER
 FLOW CURVE FOR CLA-VAL P/N 29725-01H



351GF-15 4" - weight 22.8lbs.