



# Series 580

## Silent Wafer Check Valve



- Short Lay Length
- Watertight Seating
- Field Replaceable Parts
- Factory Mutual Approved
- Optional Resilient Seat



The Cla-Val Series 580 Silent Wafer Check Valve has a spring-loaded poppet that allows the valve to close before flow reversal occurs, resulting in a silent, non-slam closure. It is a truly silent check valve. For ease of installation, the valve can be installed in vertical or horizontal positions with flow up or flow down. The short lay length of the valve allows for a space-saving design. Silent Wafer Check Valves are available in sizes 2" to 10", with either a 125 lb. or 250 lb. pressure class rating.

Constructed of a cast iron body with bronze trim, the Cla-Val Silent Wafer Check Valve offers watertight shutoff with metal-to-metal seating. For special applications, stainless steel trim is available and Buna-N® resilient seats are available as options. All materials conform to ASTM specifications, ensuring long lasting reliable performance. As a confirmation of Cla-Val's commitment to quality, all Series 580 125 lb. class valves are Factory Mutual approved except those supplied with Buna-N® resilient seats.

### SPECIFICATIONS

The silent wafer check valve shall consist of a heavy cast iron body, bronze seat, bronze disc, and stainless steel spring. The valve disc shall be center guided at both ends with an integral shaft and shall be spring loaded for silent operation. The spring shall be helical or conical and stone tumbled to achieve a micro-finish to resist mineral deposits. For ease of maintenance, the seat and disc shall be replaceable in the field.

Check valve shall be capable of silent operation when installed in vertical or horizontal positions with either flow up or flow down. The flow area through the body shall be equal to or greater than the cross-section area of the equivalent pipe size. The valve shall be a Cla-Val Series 580 Silent Wafer Check Valve.

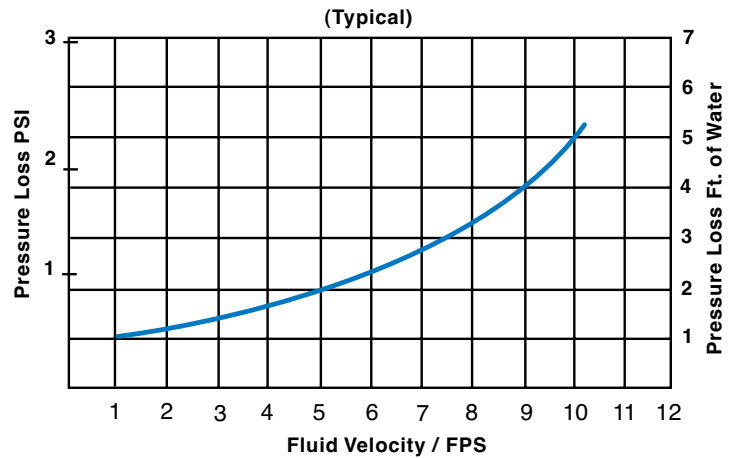
All materials of construction shall conform to ASTM specifications as follows:

**Valve Body:** Wafer Style Cast Iron ASTM A126 Class B

**Disc & Seat:** Bronze ASTM B584

**Spring:** Stainless Steel ASTM A313.5 Stone Tumbled

**Sizes:** 2" to 10"



PRESSURE / TEMPERATURE RATINGS  
WAFER AND GLOBE STYLE SILENT CHECK VALVES

TEMP DEG F.	MAXIMUM NON-SHOCK WATER SERVICE PRESSURE							
	GRAY IRON 125 LB. CLASS		DUCTILE IRON 150 LB. CLASS		GRAY IRON 250 LB. CLASS		DUCTILE IRON 300 LB. CLASS	
	2" - 12"	14" - 42"	2" - 12"	14" - 42"	2" - 12"	14" - 42"	2" - 12"	14" - 42"
0 - 150°	200	150	300	250	400	300	500	400
200°	190	135	280	230	370	280	460	370
250°	*	*	270	220	*	*	440	355
TEST PRES.	300	230	450	375	600	450	750	600

\* Ductile Iron Recommended For Hot Water Service Above 200° F.

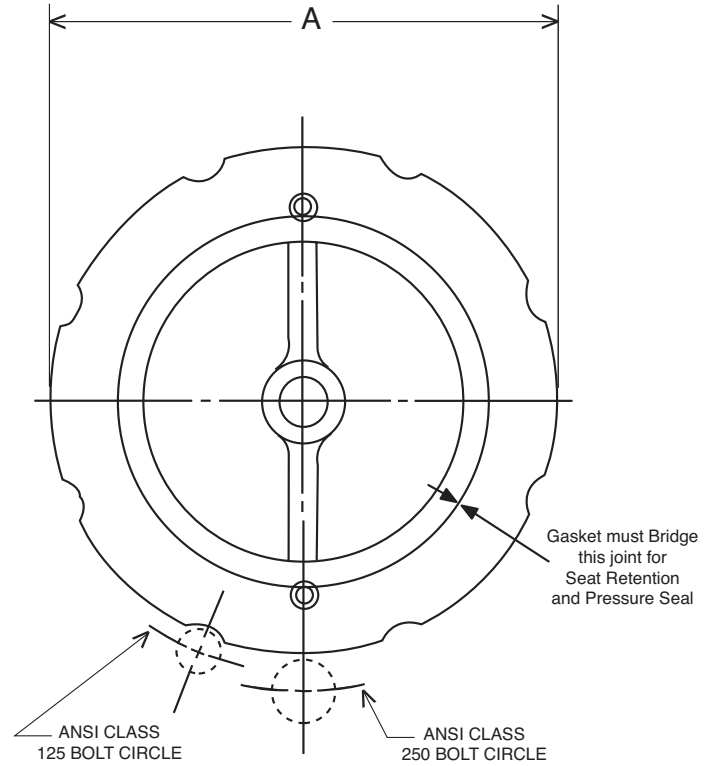
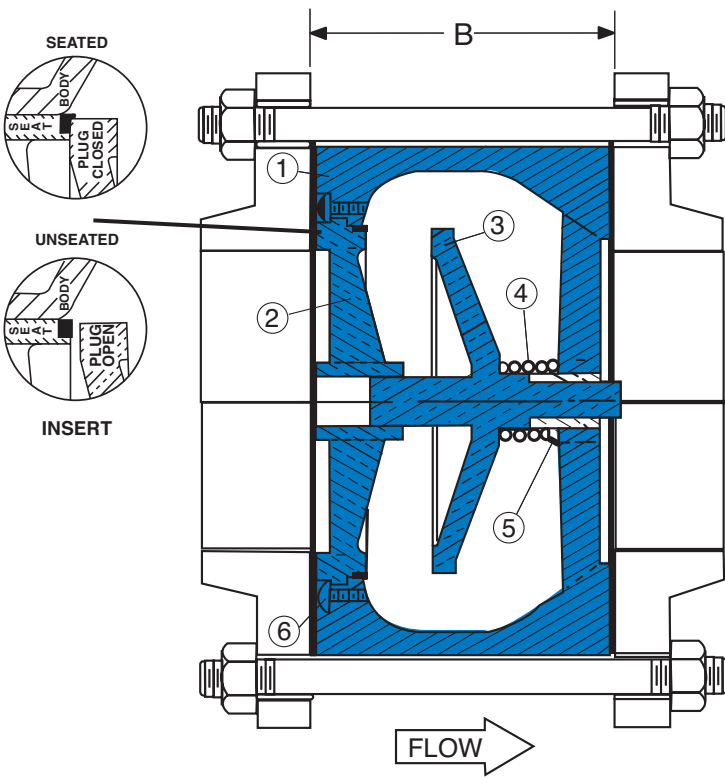




# Silent Wafer Check Valve

## Series 580

Optional Seating Metal to Buna-N®



**Note:** Plug 3 & Spring 4 Illustrated in flow open position and the spring compressed.

Detail No.	Name	Material Description
1	Body	Cast Iron ASTM A126, Class B
2	Seat	Bronze ASTM B584**
3	Disc	Bronze ASTM B584
4	Spring	Stainless Steel T302 ASTM A313.5
5	Bushing	Bronze ASTM B584
6	Screw	Stainless Steel T316 ASTM A276

\*\*Optional Resilient Seat Available However Valve is not FM Approved

**Note:** Flanges, bolts, nuts, and gaskets, shown for illustration purposes only. Supplied by others.

### Dimensions (In Inches)

ANSI CLASS 125			ANSI CLASS 250					
Model	Size	Weight lbs.	A	B	Weight lbs.	A	B	
580	2 *	6	4-1/4	2-5/8	<b>Note:</b> Sizes 2" - 6" are combination ANSI Class 125 and 250 Lb. Class use ANSI Class 125 Lb. dimensions			
580	2 1/2 *	7	5	2-7/8				
580	3 *	11	5-3/4	3-1/8				
580	4 *	18	7	4				
580	5 *	29	8-3/8	4-3/4				
580	6 *	41	9-3/4	5-1/2				
580	8 *	80	13-3/8	6-1/2		86	13-3/8	6-1/2
580	10 *	129	16	8-1/4		137	16	8-1/4

Temp. Rating	MAXIMUM SERVICE PRESSURE	
	ANSI B16.1 FLG. RATINGS	
	125 LB. CLASS	250 LB. CLASS
0-150° F	200	400
200° F	190	370
Test Pressure	300	600

\* FM Approved