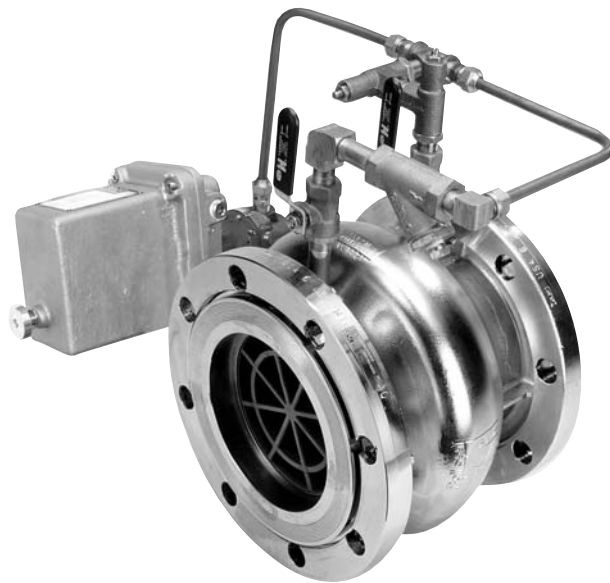




— MODEL — **730-01**

# Hydraulic Control Valve with Integral Controller



- Ideal For Use with SCADA Systems
- Accepts Local or Remote Set Point
- Accurate Flow and Pressure Control
- Reliable Hydraulic Operation
- Rugged Durable Design

## Description

The Cla-Val Model 730-01 Control Valve offers precise control using accurate dependable field proven Cla-Val hydraulic pilots and the convenience of on site or remote set point control. The on board electronic controller accepts a set point and compares it with the flow, pressure or level signal and automatically makes incremental adjustments to the hydraulic pilot until the process is satisfied.

Fully adjustable limit switches eliminate or greatly reduces the possibility of over ranging if the system is prone to upsets. In the event of a power or transmitter failure the hydraulic pilot(s) remain in control virtually assuring system stability even under changing conditions.

Optional features such as: alarms, loop power supply, retransmission, transmitter/set point scaling and NEMA type enclosures are also available.

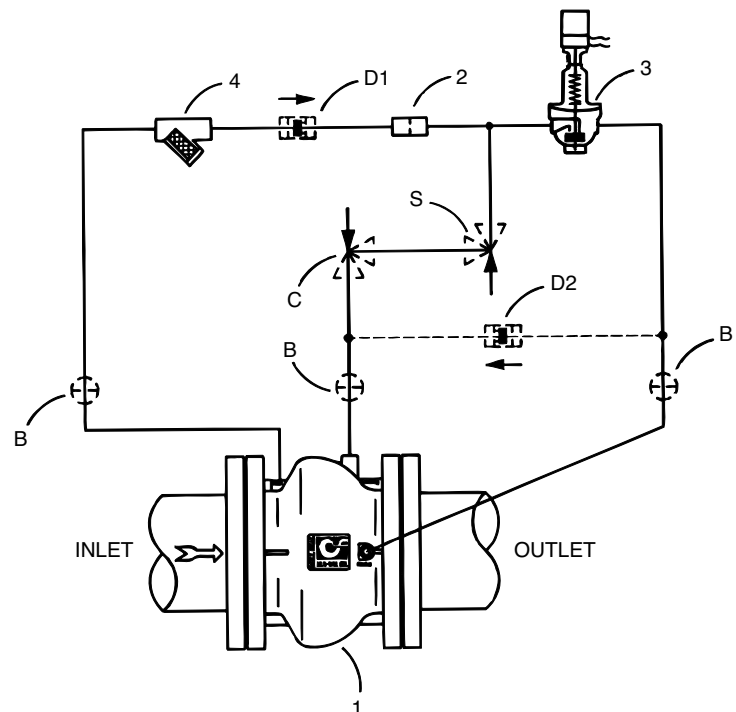
## 730-01 Basic Components

Item	Description
1	100-42 Roll Seal Main Valve
2	X58 Restriction Fitting
3	CRD30 Electronic Pressure Reducing Control
4	X43 "Y" Strainer

## Optional Features

Item	Description
B	CK2 Cock (Isolation Valve)
C	CV Flow Control (Closing)
D	Check Valve (125 psid max. reverse pressure)
S	CV Flow Control (Opening)

\* The opening & closing speed controls (optional) on this valve should always be open at least 3 turn off their seats, at start-up.



## Performance Specification

Capacity:	See Technical Data Sheet
C <sub>f</sub> Factor:	0.9
Cavitation:	See Technical Data Sheet
Rangeability:	500:1
Bearing Friction:	No friction from slip-type bearings

## Design Specification

Sizes:	2, 3, 4, and 6 inch wafer style 6, 8, 10, and 12 inch flanged 6, 8, 10, 12 inch Victaulic® Ends
End Detail Wafer:	Fits ANSI B16.5 class 125, 150, 250, and 300 flanges
End Detail Flanged:	ANSI B16.5 class 150 (fits class 125) or ANSI B16.5 class 300 (fits class 250)
End Detail Victaulic®:	Fits standard steel pipe
Operating Pressure:	720 psi maximum Victaulic® Ends - 300 psi max.
Maximum Differential:	150 psid continuous, 225 psid intermittent*
Reverse Pressure:	125 psid maximum
Temperature Range:	32 to 160 degrees F*
Flange Operating Pressure:	Class 125-175 psi maximum Class 150-275 psi maximum Class 250-300 psi maximum Class 300-720 psi maximum
Victaulic® Ends Rating:	300 psi maximum

\*Standard natural rubber 65 durometer in water service.

Temperature range depends on liner material. Higher differential pressure ratings available.

**Din drilling available on all sizes**

## Material Specification

Body:	316L Stainless Steel
Liner:	Natural Rubber, 65 durometer (standard) Viton, EPDM, Nitrile, Silicone (available)
Liner Retainer:	316 Stainless Steel

## Pilot

Body:	ASTM B62 Bronze*
Wetted Parts:	Bronze/Stainless Steel*, Buna-N®
"Y" Strainer:	Bronze*

## Accessories

Shut-off Cock:	Brass*
Speed Controls:	Brass*
Check Controls:	Brass*
Control Piping:	Copper*
Control Fittings:	Brass*

\*316 stainless steel available

## Variable Rate Actuator

Duty Cycle:	Unrestricted
Input Voltage:	120/240 Vac +/- 10%, 50/60 Hz
Operating Current:	Less than 2 Amperes at 120 Vac
Process Variable:	Accepts one powered 4-20mA transmitter supplied by others
Input Signal Monitor:	If process variable is lost, actuator holds in present position

**Operating Mode:** Single actuator operating alone. Process variable (PV) is compared to the set point (SP). When not equal, actuator rotates shaft in one direction when PV is greater than SP and the opposite direction when PV is less than SP. Direction is field selectable.

Electronic Set Point:	Field selectable between local and remote 4-20 mA
Manual Set Point:	Non-rotating handwheel
Limit Switches:	Full range adjustable
Terminations:	Terminal blocks accepting up to #16 AWG solid or stranded wire
Storage Temperature:	-40 F to 150 F (-40 C to 65 C)
Operating Temperature:	0 F to 150 F (-18 C to 65 C)
Environmental Rating:	Enclosure rated NEMA type 4 indoor/outdoor, corrosion resistant

## When Ordering, Please Specify

1. Catalog No. 730-01
2. Valve Size
3. Fluid Being Handled
4. Fluid Temperature Range
5. Inlet Pressure Range
6. Outlet Pressure Range
7. Maximum Differential Pressure
8. Minimum Differential Pressure
9. Maximum Flow Rate
10. Voltage



E-730-01 (R-3/2011)

## CLA-VAL

PO Box 1325 Newport Beach CA 92659-0325  
Phone: 949-722-4800 • Fax: 949-548-5441

### CLA-VAL CANADA

4687 Christie Drive  
Beamsville, Ontario  
Canada L0R 1B4  
Phone: 905-563-4963  
Fax: 905-563-4040

©COPYRIGHT CLA-VAL 2011 Printed in USA  
Specifications subject to change without notice.

### CLA-VAL EUROPE

Chemin des Mesanges 1  
CH-1032 Romanel/  
Lausanne, Switzerland  
Phone: 41-21-643-15-55  
Fax: 41-21-643-15-50

www.cla-val.com

**Represented By:**