



— SERIES — **100-42**

700 Series Roll Seal

DESCRIPTION

The Cla-Val Model 100-42 Roll Seal valve is a hydraulically operated valve used to control liquid flow by means of a flexible control element, the liner.

The basic valve consists of only two parts: a one piece, investment cast body and an elastomeric liner. The valve body is constructed with internal ribs and slots forming a grillwork which surrounds the liner to provide support. A normally closed type valve is formed by the installed liner which covers the grillwork and seats against the raised seating surface in the valve body.

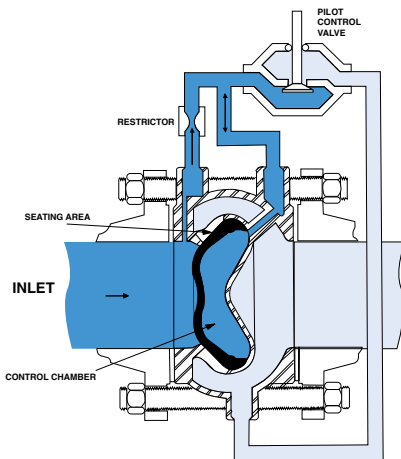
Upstream pressure actuates the valve to produce valve opening by rolling the liner off the seating surface and the slotted grillwork.

The valve is actuated by upstream pressure as the loading pressure (pressure supplied to the control chamber) is varied by an external pilot control system.

A typical pilot control system used to operate the Model 100-42 valve consists of a restriction and a suitable pilot connected to the valve.



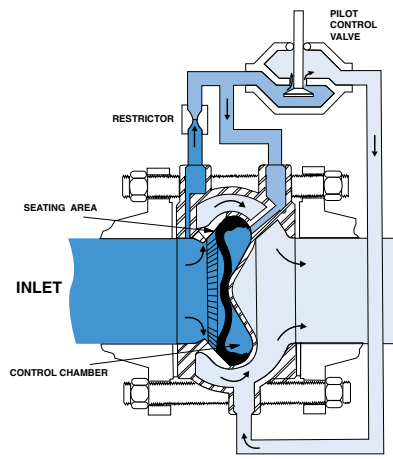
PRINCIPLE OF OPERATION



**Model 100-42 Valve
in Closed Position**

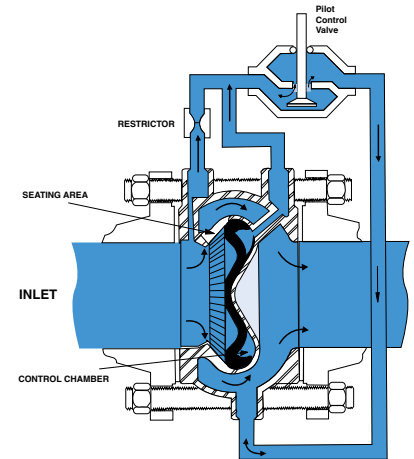
Upstream pressure is introduced to the control chamber (the chamber formed behind the liner) through the control piping and restrictor. When the pilot is closed, full inlet pressure is supplied to the control chamber, thus balancing the force developed by inlet pressure acting on the upstream face on the liner. Under these conditions, the liner remains in the fully closed position.

Since the operating pressure in the control chamber is greater than the outlet pressure, an additional closing force is developed across the liner, pressing the liner against the surrounding slotted grillwork area and seating surface.



**Model 100-42 Valve
in Partially Open Position**

As loading pressure is lowered slightly below inlet pressure, the central portion of the liner is forced to invert and come to rest against the tip of the control chamber cavity. Reducing the loading pressure further (but still higher than outlet pressure) causes the liner to drape over the cone shaped portion of the control chamber cavity. This action causes the outer section of the liner to roll off the seating surface and a portion of the grillwork to partially open the valve.



**Model 100-42 Valve
in Fully Open Position**

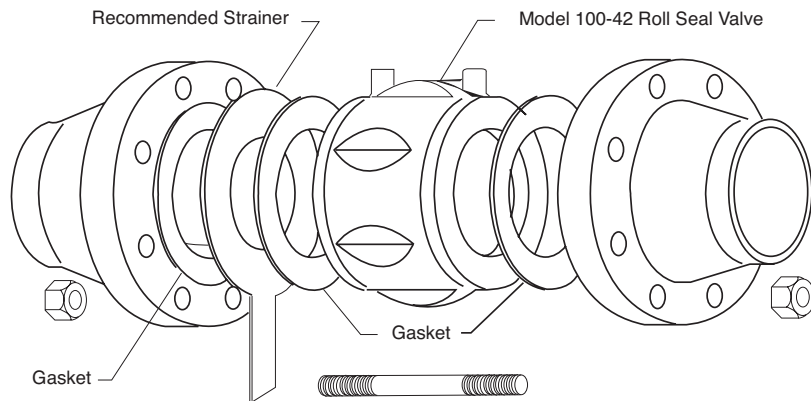
The valve is fully opened when loading pressure is sufficiently reduced to allow the liner to roll back completely and expose the full slot area. Restoring loading pressure reverses the liner rolling action to return the liner to the fully closed position.

INSTALLATION

The Cla-Val Model 100-42 Roll Seal valve in 2", 3", and 4" sizes are designed to mount between standard pipe flanges (ANSI 125, 150, 250, and 300 series) as a wafer type valve. The outer portion of the valve body is constructed with fluted (recessed) sections to provide clearance for the class 125 and 150 flange bolt pattern while the basic outside diameter of the body centers within the class 250 and 300 flange bolt pattern.

The Model 100-42 valve in 6" through 12" sizes are constructed with separable "slip-on" style flanges. Furnished standard in either class 150 or 300 raised face type, the flanges are removable and interchangeable. The class 150 flange may be bolted up to class 125 pipeline flanges and the class 300 flange may be mated against a class 250 flange.

Locate pilot system port connections at the top of valve in pipeline to allow easy air venting. A line size strainer is recommended, mounted on the valve inlet.



PROCEDURE

1. The valve should be given a visual inspection before installation to be sure no foreign materials have collected inside the valve during shipment or storage.
 2. Pipelines should be flushed out before the valve is installed in the system. New systems, especially, should be cleaned as contaminants such as welding beads, scale, rocks, etc. are commonly contained within the pipeline.
 3. The valve should be installed in a location allowing sufficient working space around the valve to provide easy access for maintenance and removal for servicing.
 4. For 2", 3", and 4" sizes only. Insert the lower half pattern of stud bolts through the bolt holes of the upstream and downstream pipeline flanges.
 - 4a. For 2" & 3" valves only. The 125 and 150 series flanges use a different number of bolts than the 250 and 300 series flanges. Hence, the wafer valve body configuration is inherently self centering regardless of the flange used.
 - 4b. For the 4" valve, ANSI pipe flanges use an 8 bolt pattern regardless of pressure ratings, although the 250 and 300 series use larger bolts on a larger bolt circle. The 4" valve can be centered in the larger 250 and 300 class flanges by rotating the valve body into full radial contact with the bolt studs prior to tightening.
 5. If an inline basket type strainer is to be included in the installation, insert the strainer into the upstream pipe, making sure a gasket is placed between the strainer and the upstream flange.
 6. Install the valve between the flanges being sure to include the appropriate flange gaskets between each end of the valve and the mating pipe flange.

Note: The valve must be installed with the flow arrow on side of body pointing to the downstream piping section. Cla-Val 700 Series valves may be installed in any position in either vertical or horizontal installations without any effect on valve operation.
 7. Insert the remaining stud bolts and nuts and tighten evenly using a diagonal cross-over type pattern.
-

Liner Retainer Removal 2"-12" Sizes

The 2" and 3" liner retainer is secured to the valve with an Allen screw. Loosen the Allen screw, pull the locking pin back towards center of retainer, and remove the retainer from valve.

To install, insert the retainer, (do not block inlet feed hole), push locking pin into position and tighten Allen screw.

The 4"-12" liner retainers are secured with a snap ring. Remove the snap ring and retainer.

To install, insert retainer and install snap ring into the groove of valve. Be sure snap ring is completely inserted into groove.

Liner Removal 2"-12" Sizes

The tool used for removal should be free of sharp edges to prevent damage to the liner, the valve body seat or control chamber surfaces. A motorcycle tire iron or similar tool works well.

1. Insert the tool between the liner and the valve body as deeply as possible.
2. Using the seat edge as a fulcrum, rock the end of the tool away from the valve in a manner to pull the liner bead out of the body. Grasp the liner and remove from the valve body.

Liner Installation 2", 3", 4" Sizes

Thoroughly clean out the interior of the valve body control chamber cavity.

Liberally apply glycerine inside the control chamber cavity and around the seal bead area of the liner.

DO NOT USE ANY HYDROCARBON OR SILICONE BASED LUBRICANTS ON LINERS AS THESE COMPOUNDS CAN SEVERELY ATTACK THE LINER MATERIAL.

3. Fold the liner as shown and install into the valve body control chamber as deeply as possible.
4. Continuing to force the liner into the control chamber cavity, again fold the liner as shown to insert the liner seal bead section under the valve body seat surface.
5. Work the folded section of the liner into place by pushing against the folded area to slide the seal bead down the conical face of the control chamber.

Liner Seating Instructions 2", 3", 4" Sizes

After installing the liner, it must be seated over the manifold ring in the valve body. The objective of this seating procedure is to place the inside lip of the liner over the outside lip of the manifold ring.

6. 4" valve with liner installed.
7. Pinch, pull and knead the liner 360° around to seat the liner on the manifold ring.
8. Using a dull tool or hammer handle, pry the outer part of the liner towards the center to help "seat" the liner.
9. Now push the liner down into the valve, holding your hand on the depressed liner, seal off the loading port with your finger.
10. Remove your hand from liner and continue holding your finger over the loading port. If liner is seated, it will be held in the open position as long as your finger is over the loading port. When you release your finger, the liner will popup. If not seated, repeat with Step 7.

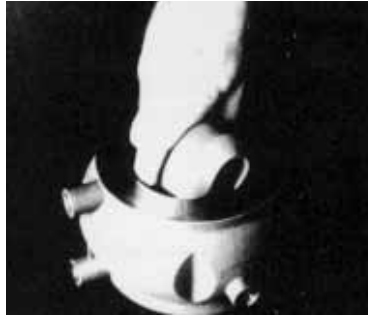
Install liner retainer into body.



1



2



3



4



5



6



7



8



9



10

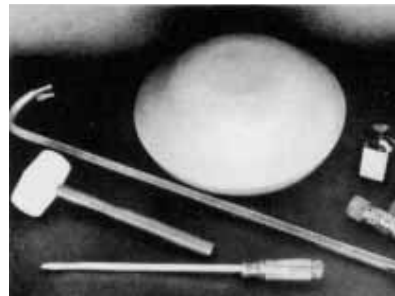
Liner Installation

6", 8", 10", 12" sizes

1. Tools required: Bottle of drugstore glycerine, 30" crowbar, double headed plastic hammer with 14" handle, rubber mallet and large flat blade screwdriver.
2. Liberally wipe glycerine on the inside of the valve and on the outer edge of the liner. Fold liner in half and insert into valve body.
3. Push liner in as far as possible forcing it out side ways.
4. Place the crowbar at the upper 25% point of the liner. Take your other hand and push on nose of liner to bend the liner over the crowbar. The less material folded over, the easier it will go into the valve. If too much is folded over, it will be difficult to complete liner installation.
5. Continue bending liner nose down into the valve. Use your hands and/or hammer handle to continue forcing it down into valve. It is important to keep the "V" of the bend near the 25% point. The liner won't go in, and it will be necessary to start over at Step 3.
6. Use the hammer to force the liner down and out into the valve body.
7. Use the hammer handle for the final insertion. Sometimes it is helpful to beat on the liner with the hammer for the final step.
8. To seat the liner on the manifold ring use the hammer handle to push down on the liner near bore of valve inlet and pry handle and liner towards the center. Continue this prying action for 360° around the liner for proper seating.
9. To test for liner seating, push down on the center of liner and close the loading port shut-off cock, or block it with your hand. When you release your hand from the liner, it should remain in the down position until the loading port is opened.
10. If liner appears seated, open loading port cock and liner should pop-up to the closed position. Repeat Steps 6-10 if liner is not seated.

When the liner is fully seated, the inside diameter of the liner will be seated over the outside diameter of the manifold ring. The manifold ring is a raised circular ridge at the bottom of the open cavity which provides for even distribution of the fluid coming in and going out the loading port.

Install liner retainer into body.



1



2



3



4



5



6



7



8



9



10

PLACING VALVE INTO OPERATION

In most instances, the 700 Series Cla-Val Control valves will be shipped complete with a pilot control system mounted on the Model 100-42 valve. Consult the appropriate start up and operation instructions for the pilot control used before pressurizing the system.

Important Procedure for All Installations:

IT IS IMPORTANT THAT THE PRESSURIZATION AND DEPRESSURIZATION OF ALL INSTALLATIONS BE CARRIED OUT IN A MANNER TO PREVENT IMPOSING A REVERSE PRESSURE CONDITION ON THE CLA-VAL MODEL 100-42 VALVE. PRESSURIZATION OF THE SYSTEM SHOULD BE ACCOMPLISHED BY PRESSURIZING THE INLET SIDE FIRST.

DEPRESSURIZATION OF THE SYSTEM SHOULD BE ACCOMPLISHED BY DEPRESSURIZING THE OUTLET SIDE FIRST. FAILURE TO FOLLOW THIS PROCEDURE COULD RESULT IN DISLODGE- MENT AND/OR DESTRUCTION OF THE RUBBER LINER.

START-UP INSTRUCTIONS

Pressure Reducing 790 Series Valves

The following instructions are for valves equipped with a Model CRD Pressure Reducing Pilot Control.

1. Remove the adjustment cap and back off adjustment screw setting (turn counterclockwise) of the CRD Pressure Reducing Pilot Control to fully relieve all loading on the range spring.
2. Slowly open the **upstream** main line block valve to pressurize the **inlet** section of the valve.
3. Bleed any entrapped air from the control chamber of the valve and tubing sections by loosening fittings at the highest points. Retighten fittings. Install gauge on downstream port of CRD.
4. Slowly increase tension on the range spring, by means of the adjustment screw (turn clockwise) until the desired downstream pressure is attained. Use a gauge.
5. Open the downstream main line block valve.
6. If required, reset the pilot adjustment screw setting to obtain the downstream pressure desired.
7. Tighten the adjustment screw lock nut and replace the adjustment cap.

Back Pressure Control 750 Series Valves

The following instructions are for valves equipped with a Model CRL Back Pressure Pilot Control.

1. Remove the adjustment cap and increase tension on the range spring, by means of the adjustment screw (turn clockwise) until maximum spring load is attained.
2. Slowly open the **upstream** main line block valve to pressurize the **inlet** section of the valve.
3. Bleed any entrapped air from the control chamber of the valve and tubing sections by loosening fittings at the highest points. Retighten fittings.
4. Open the downstream main line block valve.
5. Gradually decrease tension on the range spring by means of the adjustment screw (turn counterclockwise) until upstream pressure decreases to the desired setpoint.
6. Tighten the adjustment screw lock nut and replace the adjustment cap.

Relief Valve Applications 750 Series Valves

The following instructions are for valves equipped with a Model CRL Pressure Relief Pilot Control.

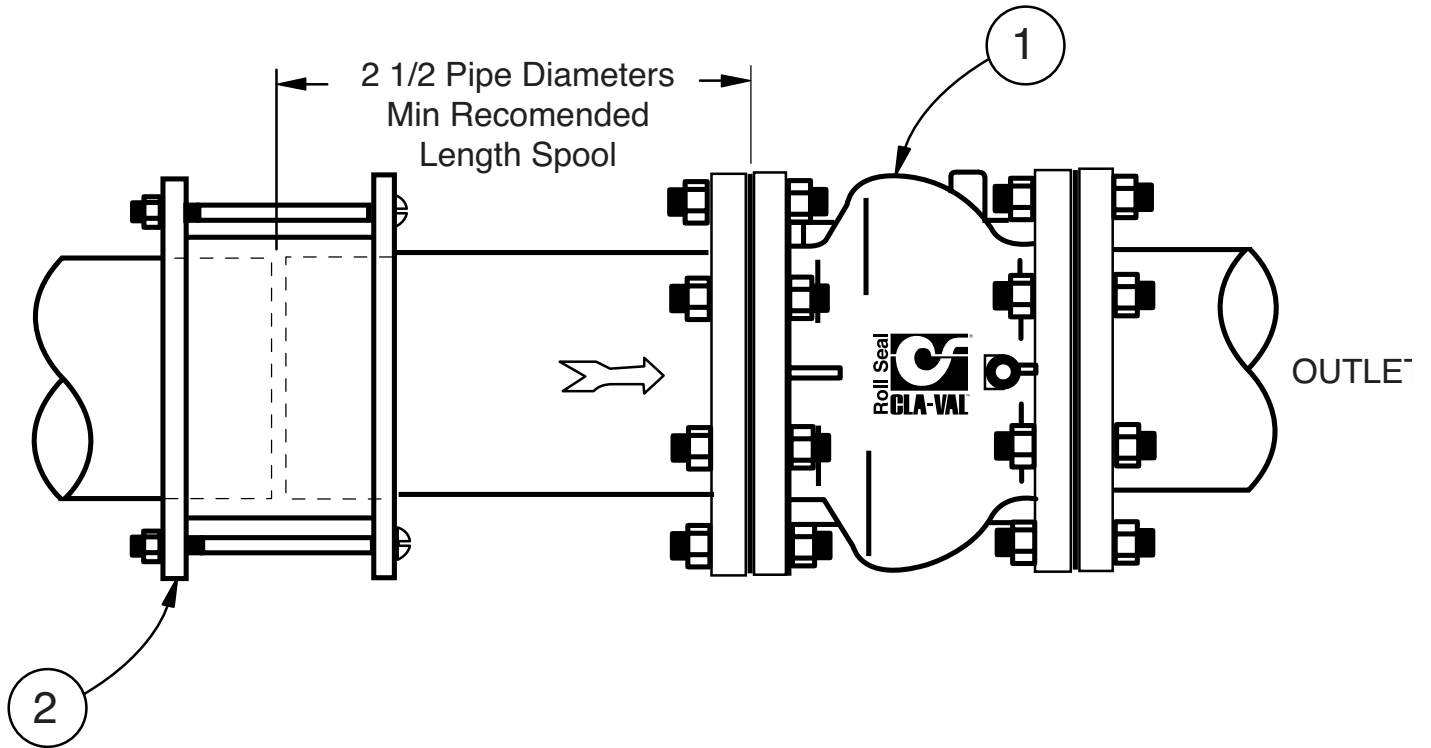
Due to the nature of intended use, the system being protected with the relief valve will most likely not be able to furnish the pressure source needed to establish the proper setpoint of the pilot control. Due to this fact, in most instances, the relief valve setting procedures will either have to be carried out at other locations or an auxiliary pressure source will have to be supplied at the site in order to carry out the following procedure.

1. Remove the adjustment cap and increase tension on the range spring by means of the adjustment screw (turn clockwise) until maximum spring load is attained.
2. Slowly introduce **inlet** pressure to the valve at the desired setpoint value. Bleed all air.
3. Gradually decrease tension on the range spring by means of the adjustment screw (turn counterclockwise) until flow is initiated through the valve.
4. Reduce system pressure back to normal value. Tighten the adjustment screw lock nut and replace the adjustment cap. The valve is now ready for service.

Taking Valve Out of Service

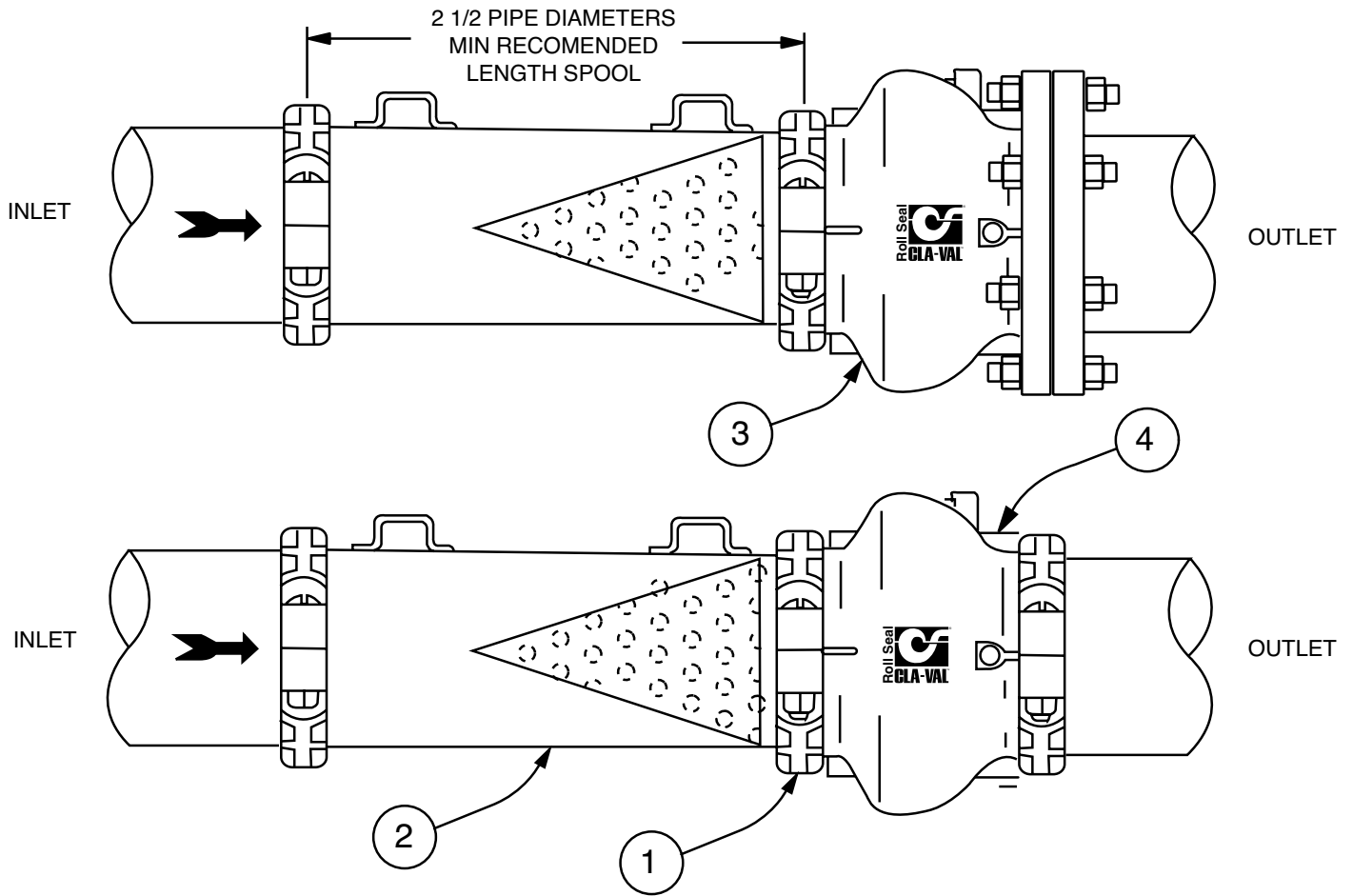
The following procedure should be followed when taking the Model 100-42 valve out of service.

1. Close the upstream main line block valve first. Then close the downstream main line block valve.
 2. Vent the **downstream** section to fully relieve pressure in the outlet section of the valve.
 3. Vent the **upstream** section to fully relieve pressure in the inlet section and control chamber of the Model 100-42 valve.
 4. If the valve liner is to be inspected or replaced, remove the valve from the main line.
-



Recommended Pipe layout
6" - 12" Flange style 100-42

- 2 Pipe Coupling (Rubber Gasket Type)
- 1 100-42 Main Valve, Flange X Flange



Recommended Pipe layout
6" - 12" Grooved style 100-42

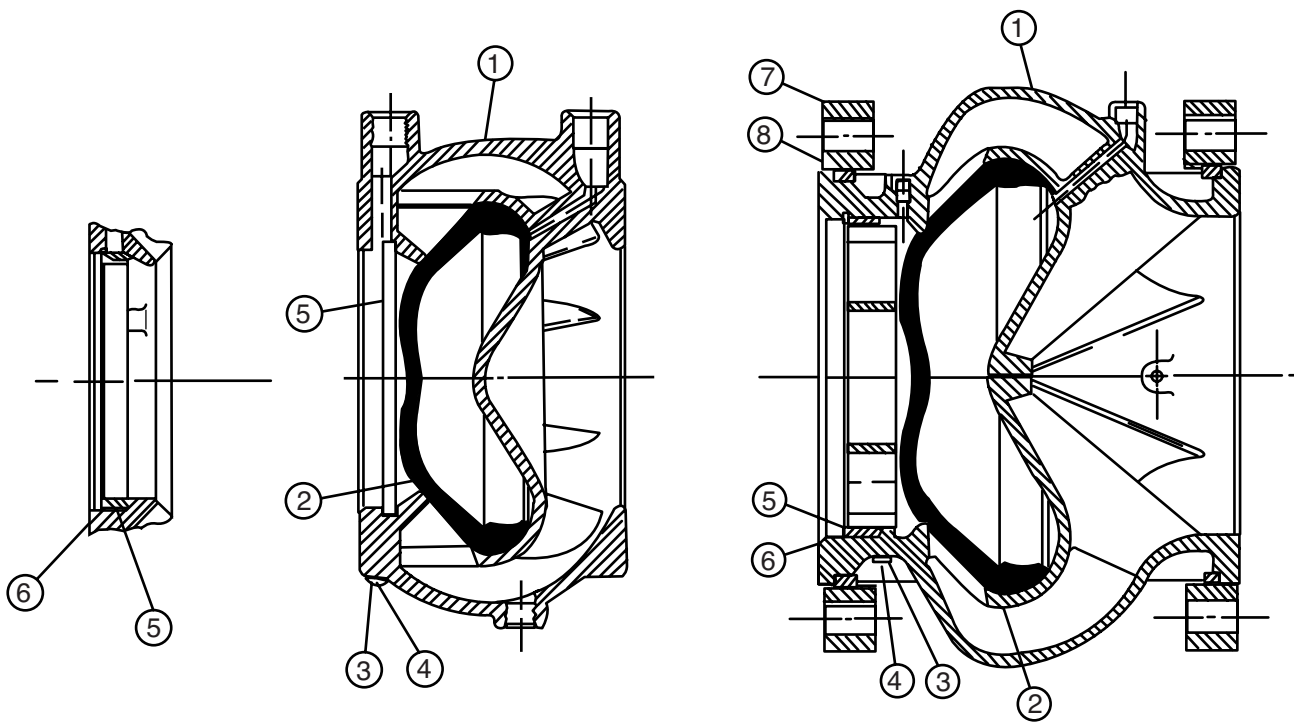
- 1 COUPLER FOR GROOVED PIPE
- 2 SPOOL STRAINER ASSEMBLY (WITH CONE)
- 3 100-42 MAIN VALVE, GROOVE X FLANGE
- 4 100-42 MAIN VALVE, GROOVE X GROOVE

**When ordering
please specify:**

- All nameplate data
- Description
- Part Numbers
- Item Number
- Material

Item No.	Description	No. Req'd	Material (Standard)
1	Body	1	316L Stainless Steel "L"
2*	Liner	1	Natural Rubber
3	Nameplate	1	Aluminum
4	Drive Screw	2	316L Stainless Steel
5	Liner Retainer	1	316L Stainless Steel
6	Retaining Ring	1	316L Stainless Steel
7	Slip-on Flange	2	Steel-Cad. Pl.
8	Flange Retainer Ring	2	Steel-Cad. Pl.

*Recommended Spare Part



4" Wafer Style Valve

2-3" Wafer Style Valve

6"-12" Flanged Valve