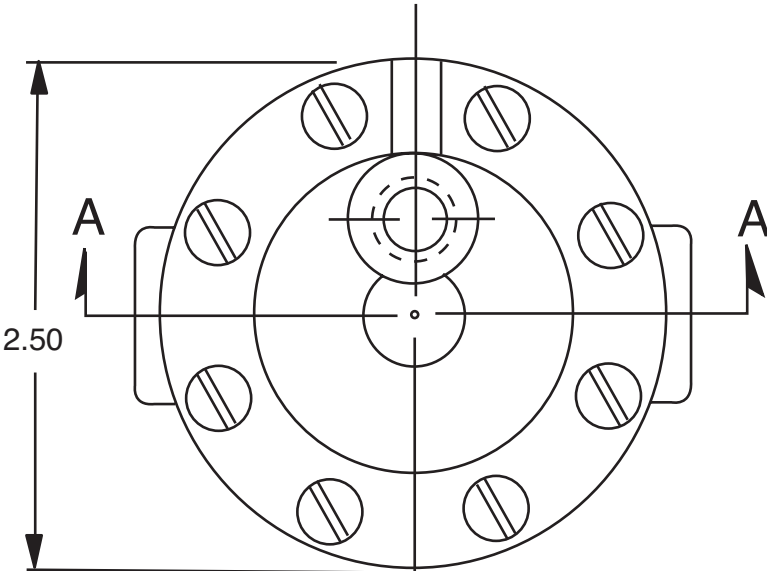




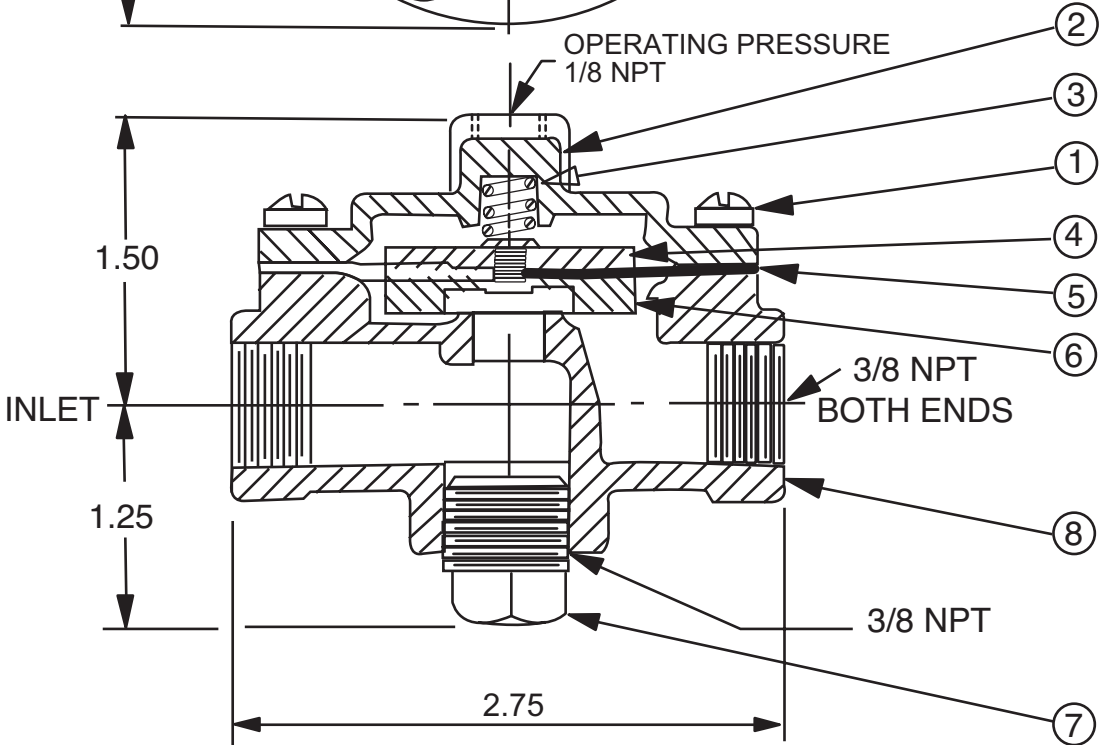
—MODEL— **100-01**  
**3/8"-1 Hytrol Valve**



**PARTS LIST**

ITEM	DESCRIPTION
1.	Cover Screw (8 Required)
2.	Cover
3.	Spring
4.	Diaphragm Washer
* 5.	Diaphragm
* 6.	Disc Retainer Assembly
7.	Body Plug (3/8 NPT)
8.	Body

\* Recommended Spare Parts



**SECTION AA**

**100-01 3/8" HYTROL VALVE**

**When Ordering parts, please specify**

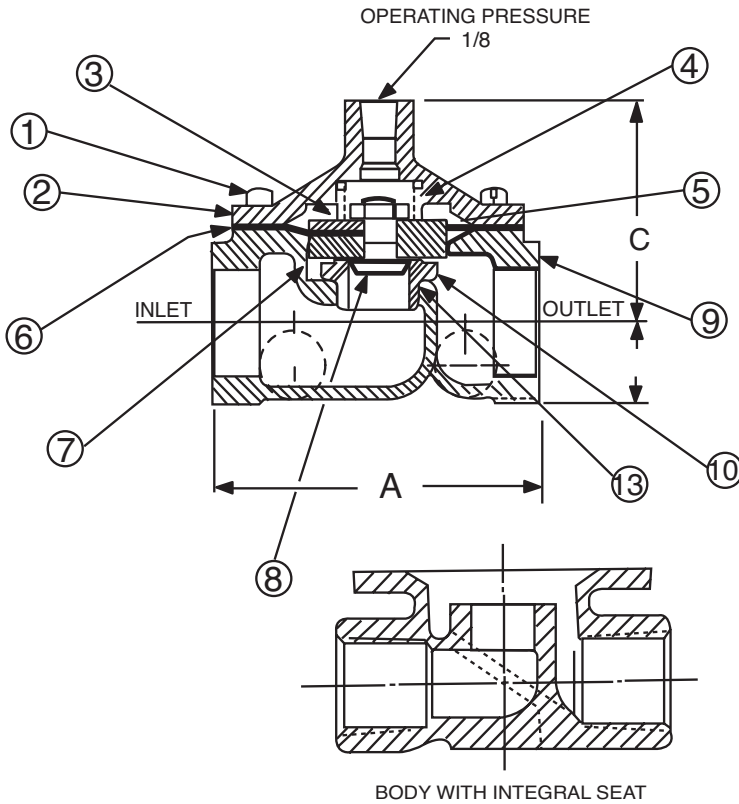
- All nameplate data
- Description
- Item Number
- Material



—MODEL— **100-01**

# 1/2"-3/4"-1" Hytrol Valve

## 100-01 3/4" & 1/2" Hytrol Valve



### PARTS LIST

ITEM	DESCRIPTION
1	COVER SCREW
2	COVER
3	SPRING
4	STEM NUT
5	DIAPHRAGM WASHER
* 6	DIAPHRAGM
* 7	DISC RETAINER ASSEMBLY
8	DISC GUIDE & STEM
9	BODY
10	SEAT
11	NAMEPLATE
12	BODY PLUG HEX HD.
13	O-RING SEAT (FOR OLD STYLE BODY ONLY)

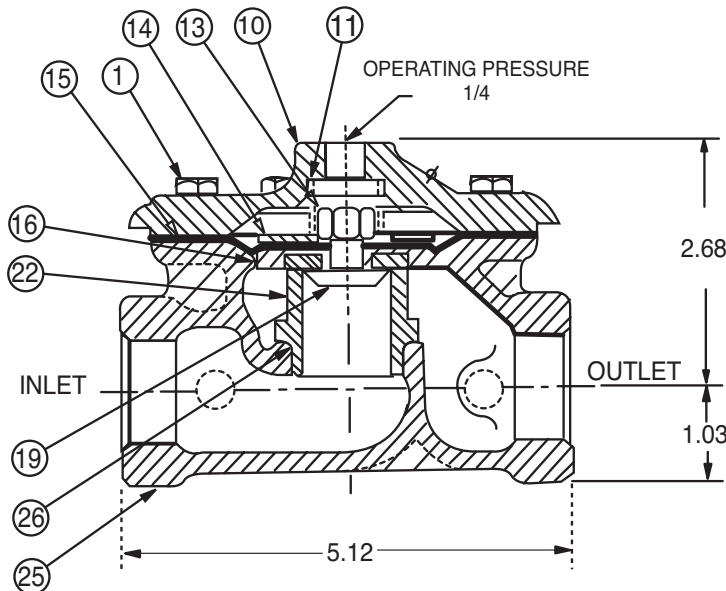
\* Recommended Spare Parts

	1/2	3/4
A	1-7/16	3-1/2
C (MAXIMUM)	2-3/8	2-3/8
D	25/32	29/32

### When Ordering parts, please specify

- All nameplate data
- Description
- Item Number
- Material

## 100-01 1" Hytrol Valve



### PARTS LIST

ITEM	DESCRIPTION
1	COVER SCREW
2	NAMEPLATE
3	NAMEPLATE SCREW
10	COVER
11	SPRING
13	STEM NUT
14	DIAPHRAGM WASHER
15	DIAPHRAGM
16	DISC RETAINER ASSEMBLY
19	DISC GUIDE
22	SEAT
24	BODY PLUG
25	BODY
26	O-RING, SEAT

\* Recommended Spare Parts