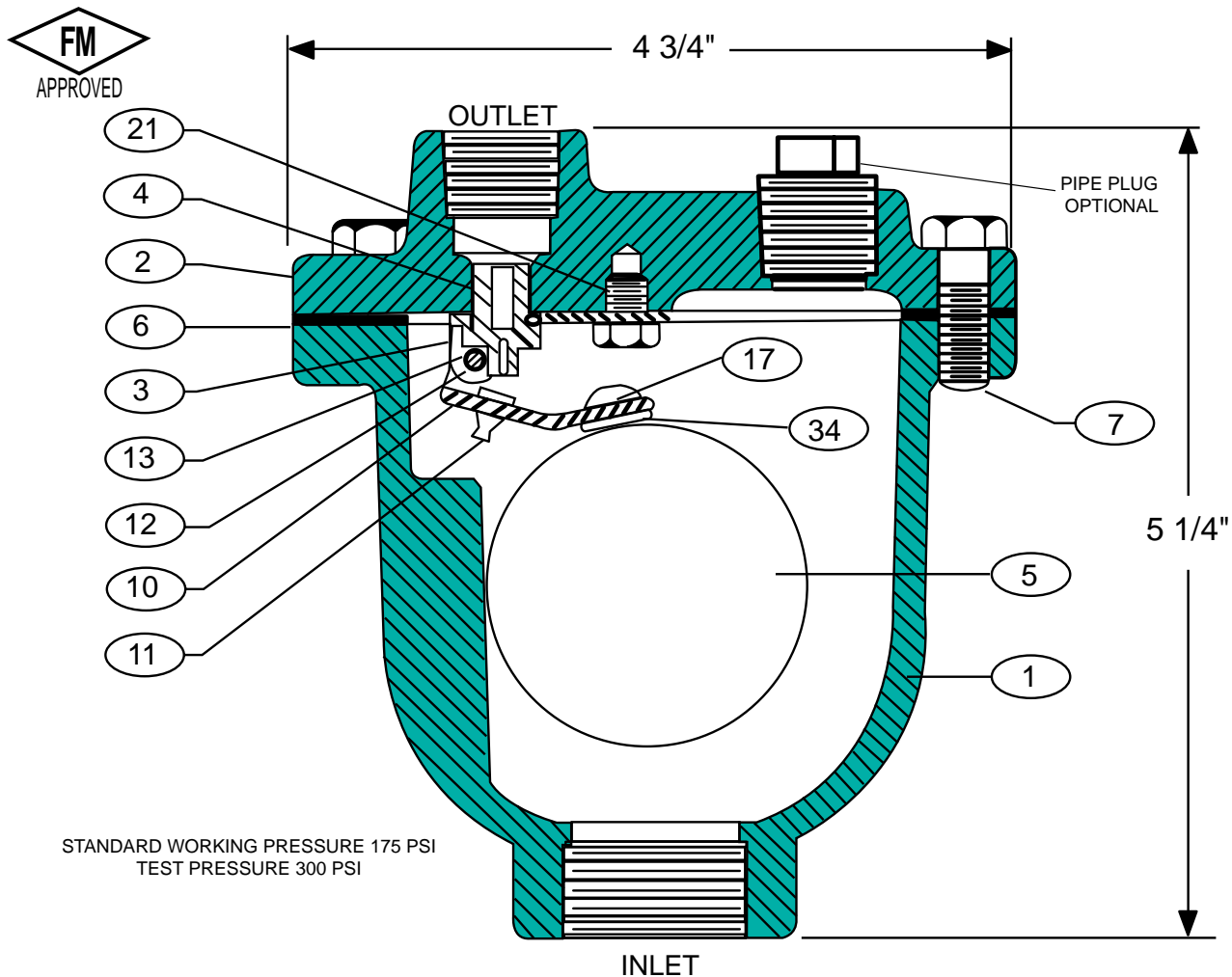




# Series 34

## Air Release Valve – Simple Lever Type



STANDARD WORKING PRESSURE 175 PSI  
TEST PRESSURE 300 PSI

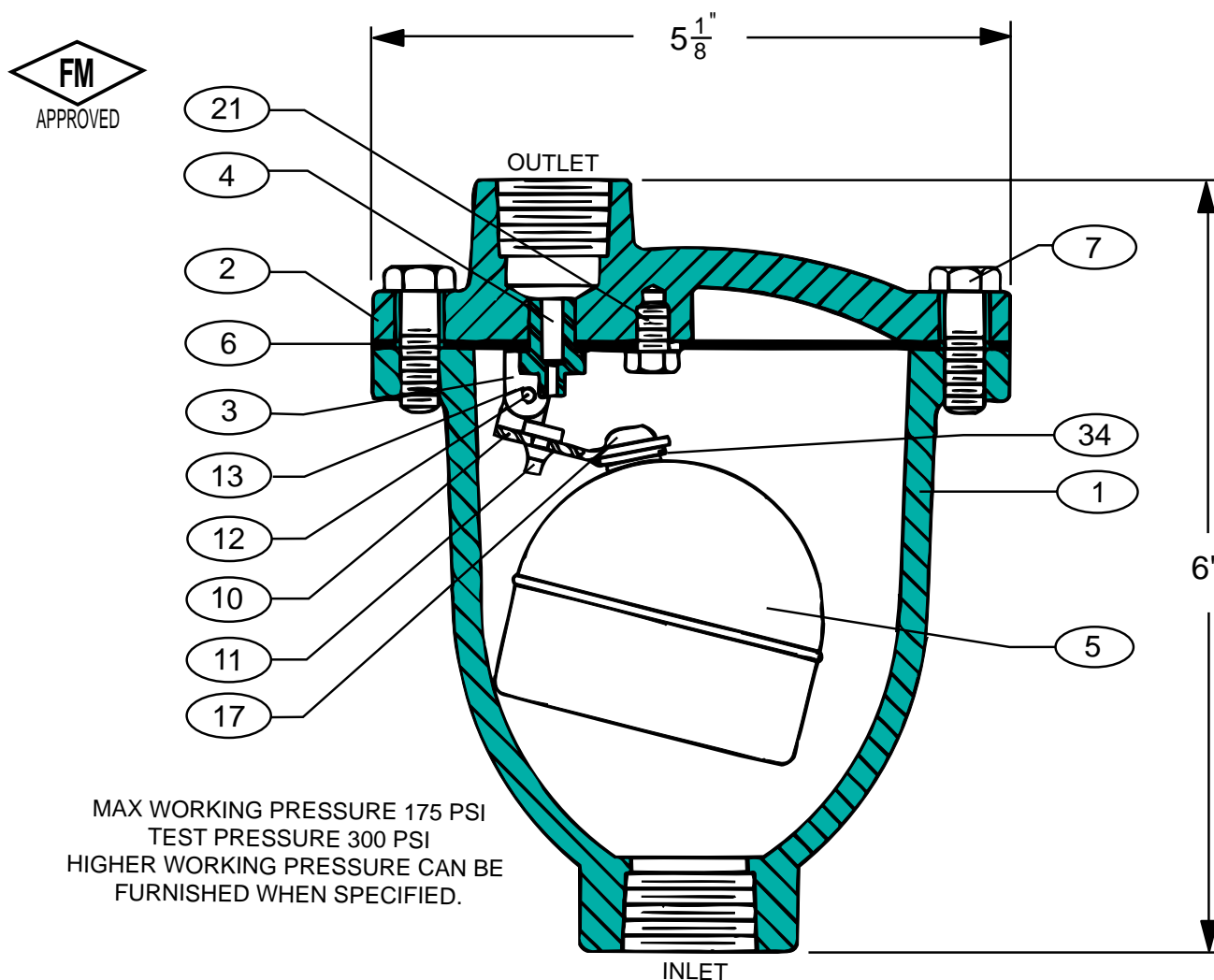
Detail No.	Part Name	Material	Detail No.	Part Name	Material
1	Body	Cast Iron ASTM A126, Class B	10	Float Arm	Stainless Steel T304, ASTM A240
2	Cover	Cast Iron ASTM A126, Class B	11	Orifice Button	Viton
3	Lever Frame	Stainless Steel T304, ASTM A240	12	Pivot Pin	Stainless Steel T303, ASTM A276
4	Seat	Stainless Steel T303, ASTM A276	13	Pin Retainer	Stainless Steel PH 15-7 Mo
5	Float	Stainless Steel T304, ASTM A240	17	Float Retainer	Stainless Steel T304, ASTM A276
6	Gasket	Garlock #3000 (Non-Asbestos)	21	Locator	Stainless Steel T18-8, ASTM A276
7	Cover Bolt	Alloy Steel SAE Grade 5	34	Lock Washer	Stainless Steel T304, ASTM A240

Valve Size	Model No.		Inlet Size	Outlet Size	Wt. Lbs.
	175 psi Max. W.P.	175 psi Orifice			
1/2"	3450AR-116	1/16"	1/2"	1/2" NPT	6
3/4"	3475AR-116	1/16"	3/4"	1/2" NPT	6
1"	3410AR-116	1/16"	1"	1/2" NPT	6



# Series 34

## Air Release Valve – Simple Lever Type



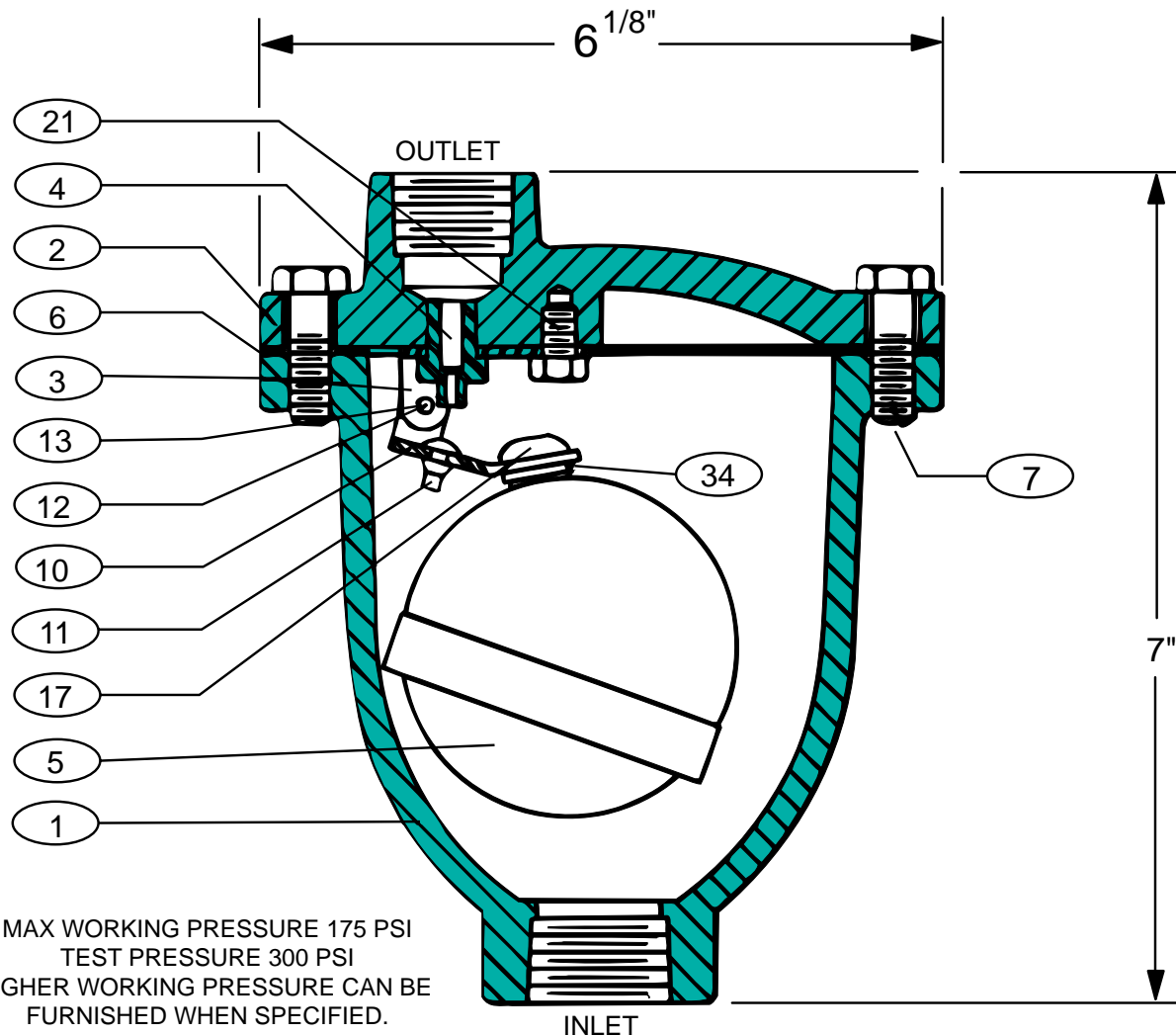
Detail No.	Part Name	Material	Detail No.	Part Name	Material
1	Body	Cast Iron ASTM A126, Class B	10	Float Arm	Stainless Steel T304, ASTM A240
2	Cover	Cast Iron ASTM A126, Class B	11	Orifice Button	Viton
3	Lever Frame	Stainless Steel T304, ASTM A240	12	Pivot Pin	Stainless Steel T303, ASTM A276
4	Seat	Stainless Steel T303, ASTM A276	13	Pin Retainer	Stainless Steel PH 15-7 Mo
5	Float	Stainless Steel T304, ASTM A240	17	Float Retainer	Stainless Steel T304, ASTM A276
6	Gasket	Garlock #3000 (Non-Asbestos)	21	Locator	Stainless Steel T18-8, ASTM A276
7	Cover Bolt	Alloy Steel SAE Grade 5	34	Lock Washer	Stainless Steel T304, ASTM A240

Valve Size	Model No.		Model No.		Inlet Size	Outlet Size	Wt. Lbs
	175 psi Max. W.P.	175 psi Orifice	300 psi Max. W.P.	300 psi Orifice			
1/2"	3450AR-332	3/32"	3450AR-116.3	1/16"	1/2"	1/2" NPT	8
3/4"	3475AR-332	3/32"	3475AR-116.3	1/16"	3/4"	1/2" NPT	8
1"	3410AR-332	3/32"	3410AR-116.3	1/16"	1"	1/2" NPT	8



# Series 34

## Air Release Valve – Simple Lever Type



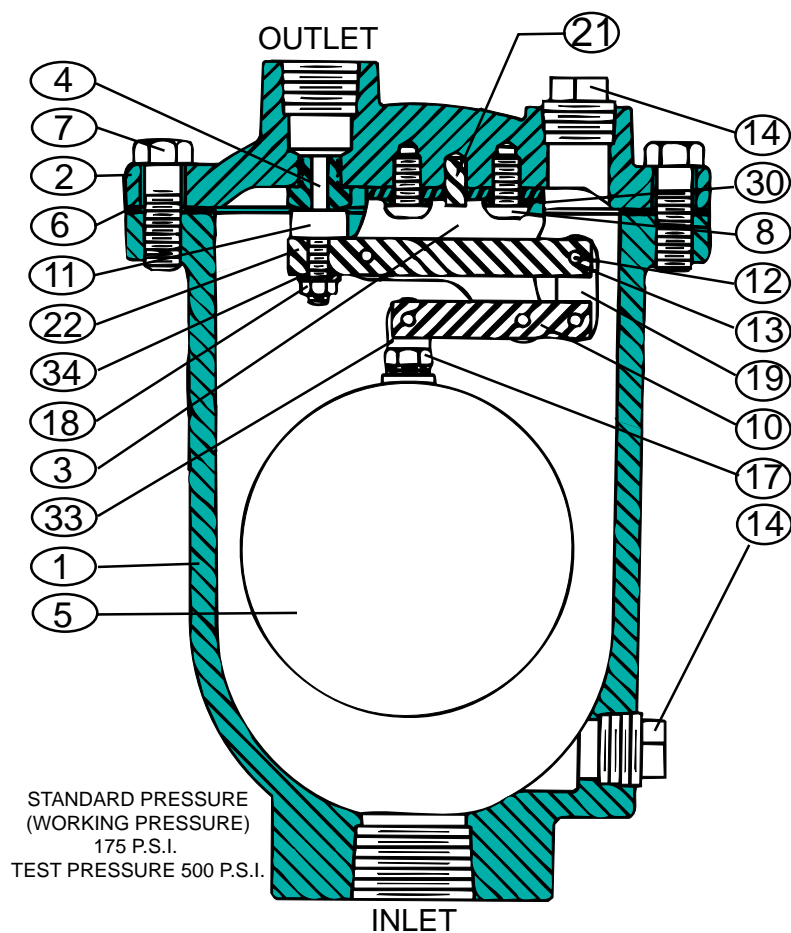
Detail No.	Part Name	Material	Detail No.	Part Name	Material
1	Body	Cast Iron ASTM A126, Class B	10	Float Arm	Stainless Steel SAE 30303
2	Cover	Cast Iron ASTM A126, Class B	11	Orifice Button	Viton - 70 Duro
3	Lever Frame	Stainless Steel T304, ASTM A240	12	Pivot Pin	Stainless Steel SAE 30303
4	Seat	Stainless Steel T303, ASTM A276	13	Pin Retainer	Stainless Steel PH 15-7 Mo
5	Float	Stainless Steel T304, ASTM A240	17	Float Retainer	Stainless Steel T304, ASTM A276
6	Gasket	Garlock #3000 (Non-Asbestos)	21	Locator	Stainless Steel T18-8, ASTM A276
7	Cover Bolt	Alloy Steel SAE A449 Grade 5	34	Lock Washer	Stainless Steel T304, ASTM A240

Model No.			Model No.		Inlet Size	Outlet Size	Wt. Lbs.
Valve Size	175 psi Max. W.P.	175 psi Orifice	300 psi Max. W.P.	300 psi Orifice			
3/4"	3475AR-018	1/8"	3475-AR564.3	5/64"	3/4"	1/2" N.P.T.	12
1"	3410AR-018	1/8"	3410-AR564.3	5/64"	1"	1/2" N.P.T.	12



# Series 34

## Air Release Valve – Compound Lever Type



STANDARD PRESSURE  
(WORKING PRESSURE)  
175 P.S.I.  
TEST PRESSURE 500 P.S.I.

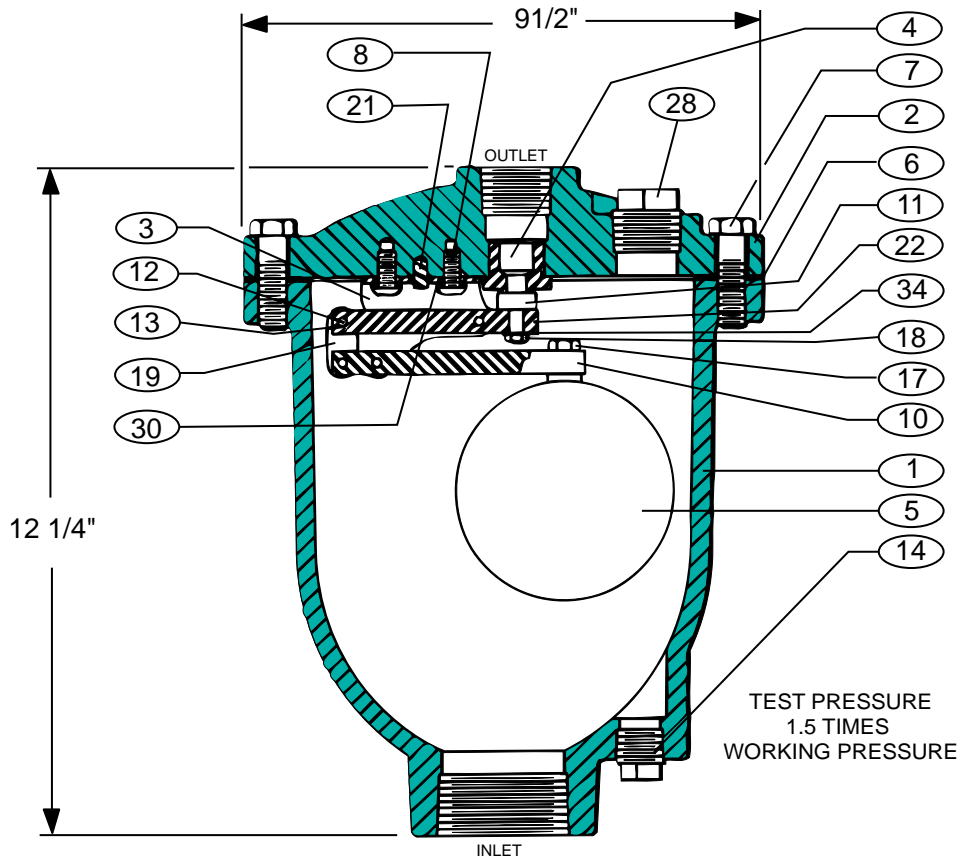
Detail No.	Part Name	Material	Detail No.	Part Name	Material
1	Body	Cast Iron ASTM A126, Class B	13	Retaining Ring	Stainless Steel PH 15-7 Mo
2	Cover	Cast Iron ASTM A126, Class B	14	Pipe Plug	Malleable Iron
3	Lever Frame	Stainless Steel ASTM A240	17	Float Retainer	Stainless Steel ASTM A276
4	Seat	Stainless Steel SAE 30303	18	Lock Nut	Stainless Steel ASTM A276
5	Float	Stainless Steel ASTM A240	19	Link	Stainless Steel ASTM A240
6	Gasket	Lexide NK-511 (Non-Asbestos)	21	Locating Pin	Stainless Steel T420
7	Cover Bolt	Alloy Steel ASTM A449 Grade 5	22	Orifice Button Arm	Stainless Steel SAE 30303
8	Retaining Screw	Stainless Steel ASTM A276	30	Washer	Stainless Steel T304, ASTM A240
10	Float Arm	Stainless Steel SAE 30303	33	Clevis	Stainless Steel ASTM A240
11	Orifice Button	Stainless Steel & Buna-N®	34	Lock Washer	Stainless Steel ASTM A240
12	Pivot Pin	Stainless Steel SAE 30303			

Model No.			Model No.		Inlet Size	Outlet Size	Wt. Lbs.
Valve Size	175 psi Max. W.P.	175 psi Orifice	300 psi Max. W.P.	300 psi Orifice			
1"	3410-AR316C	3/16"	3410-AR332.3C	3/32"	1"	1/2" N.P.T.	24
2"	3420-AR316C	3/16"	3420-AR332.3C	3/32"	2"	1/2" N.P.T.	24



# Series 34

## Air Release Valve – Compound Lever Type



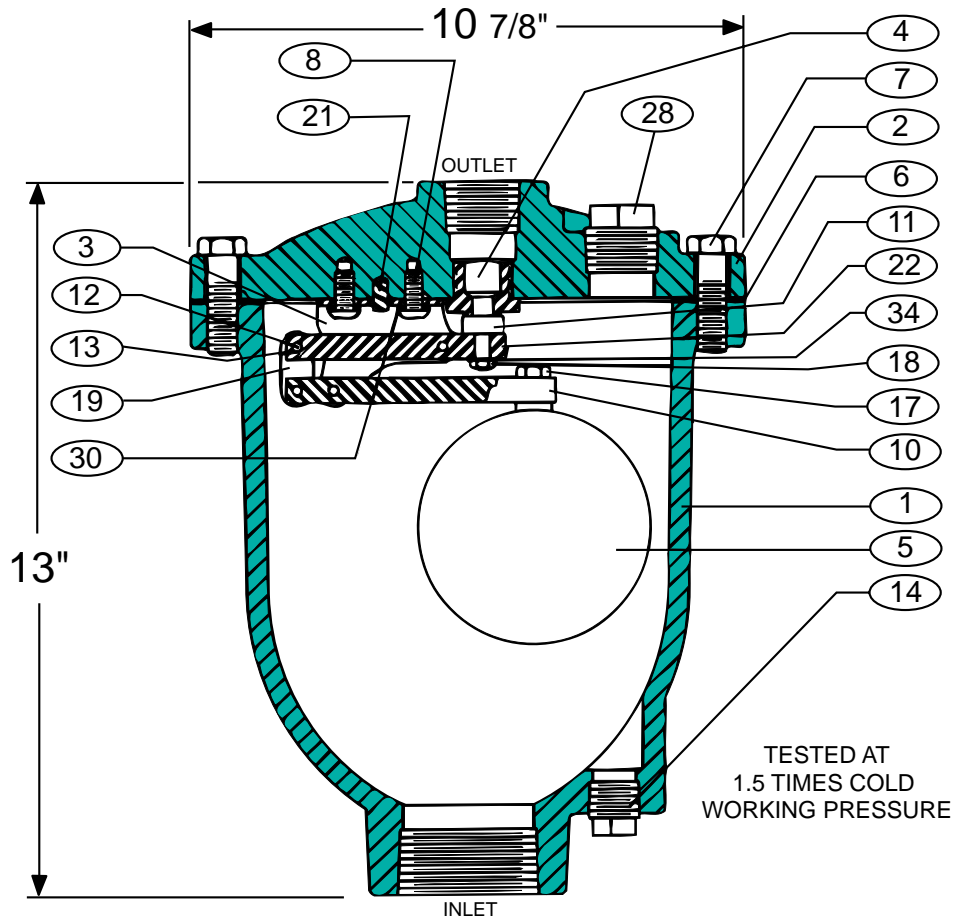
Detail No.	Part Name	Material	Detail No.	Part Name	Material
1	Body	Cast Iron ASTM A126, Class B	13	Retaining Ring	Stainless Steel PH 15-7 Mo
2	Cover	Cast Iron ASTM A126, Class B	14	Pipe Plug	Malleable Iron
3	Lever Frame	Stainless Steel ASTM A240	17	Float Retainer	Stainless Steel ASTM A276
4	Seat	Stainless Steel SAE 30303	18	Lock Nut	Stainless Steel ASTM A276
5	Float	Stainless Steel ASTM A240	19	Link	Stainless Steel ASTM A240
6	Gasket	Lexide NK-511 (Non-Asbestos)	21	Locating Pin	Stainless Steel T420
7	Cover Bolt	Alloy Steel ASTM A449 Grade 5	22	Orifice Button Arm	Stainless Steel SAE 30303
8	Retaining Screw	Stainless Steel ASTM A276	28	Pipe Plug	Malleable Iron
10	Float Arm	Stainless Steel SAE 30303	30	Washer	Stainless Steel ASTM A240
11	Orifice Button	Stainless Steel & Buna-N®	34	Lock Washer	Stainless Steel ASTM A240
12	Pivot Pin	Stainless Steel SAE 30303			

Model No.			Model No.		Inlet Size	Outlet Size	Wt. Lbs.
Valve Size	150 psi Max. W.P.	150 psi Orifice	300 psi Max. W.P.	300 psi Orifice			
2"	3420AR-038C	3/8"	3420AR-732.3C	7/32"	2"	1" N.P.T.	24
3"	3430AR-038C	3/8"	3430AR-732.3C	7/32"	3"	1" N.P.T.	24



# Series 34

## (High Pressure) Air Release Valve – Compound Lever Type



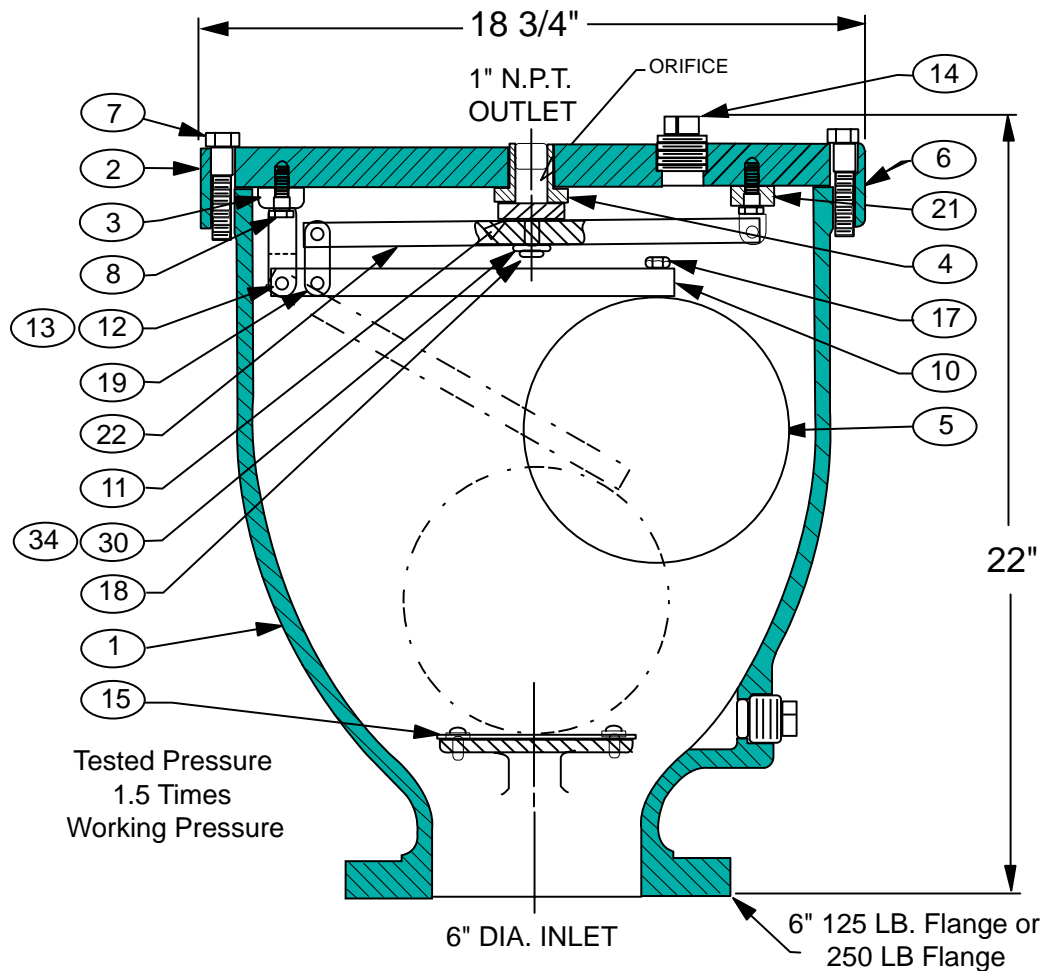
Detail No.	Part Name	Material	Detail No.	Part Name	Material
1	Body (500psi)	Cast Iron ASTM A126, Class B	12	Pivot Pin	Stainless Steel SAE 30303
1	Body (800psi)	Ductile Iron ASTM A536	13	Retaining Ring	Stainless Steel PH 15-7 Mo
2	Cover (500psi)	Cast Iron ASTM A126, Class B	14	Pipe Plug	Malleable Iron
2	Cover (800psi)	Ductile Iron ASTM A536	17	Float Retainer	Stainless Steel ASTM A276
3	Lever Frame	Stainless Steel ASTM A240	18	Lock Nut	Stainless Steel ASTM A276
4	Seat	Stainless Steel SAE 30303	19	Link	Stainless Steel ASTM A240
5	Float	Stainless Steel ASTM A240	21	Locating Pin	Stainless Steel T420
6	Gasket	Lexide NK-511 (Non-Asbestos)	22	Orifice Button Arm	Stainless Steel SAE 30303
7	Cover Bolt	Alloy Steel ASTM A449 Grade 5	28	Pipe Plug	Malleable Iron
8	Retaining Screw	Stainless Steel ASTM A276	30	Washer	Stainless Steel ASTM A240
10	Float Arm	Stainless Steel SAE 30303	34	Lock Washer	Stainless Steel ASTM A240
11	Orifice Button	Stainless Steel & Buna-N®			

Model No.			Model No.		Inlet Size	Outlet Size	Wt. Lbs.
Valve Size	500 psi Max. W.P.	500 psi Orifice	800 psi Max. W.P.	800 psi Orifice			
2"	3420AR-732.5C	7/32"	3420AR-018.8C	1/8"	2"	1" N.P.T.	72



# Series 34

## (Large Orifice) Air Release Valve – Compound Lever Type



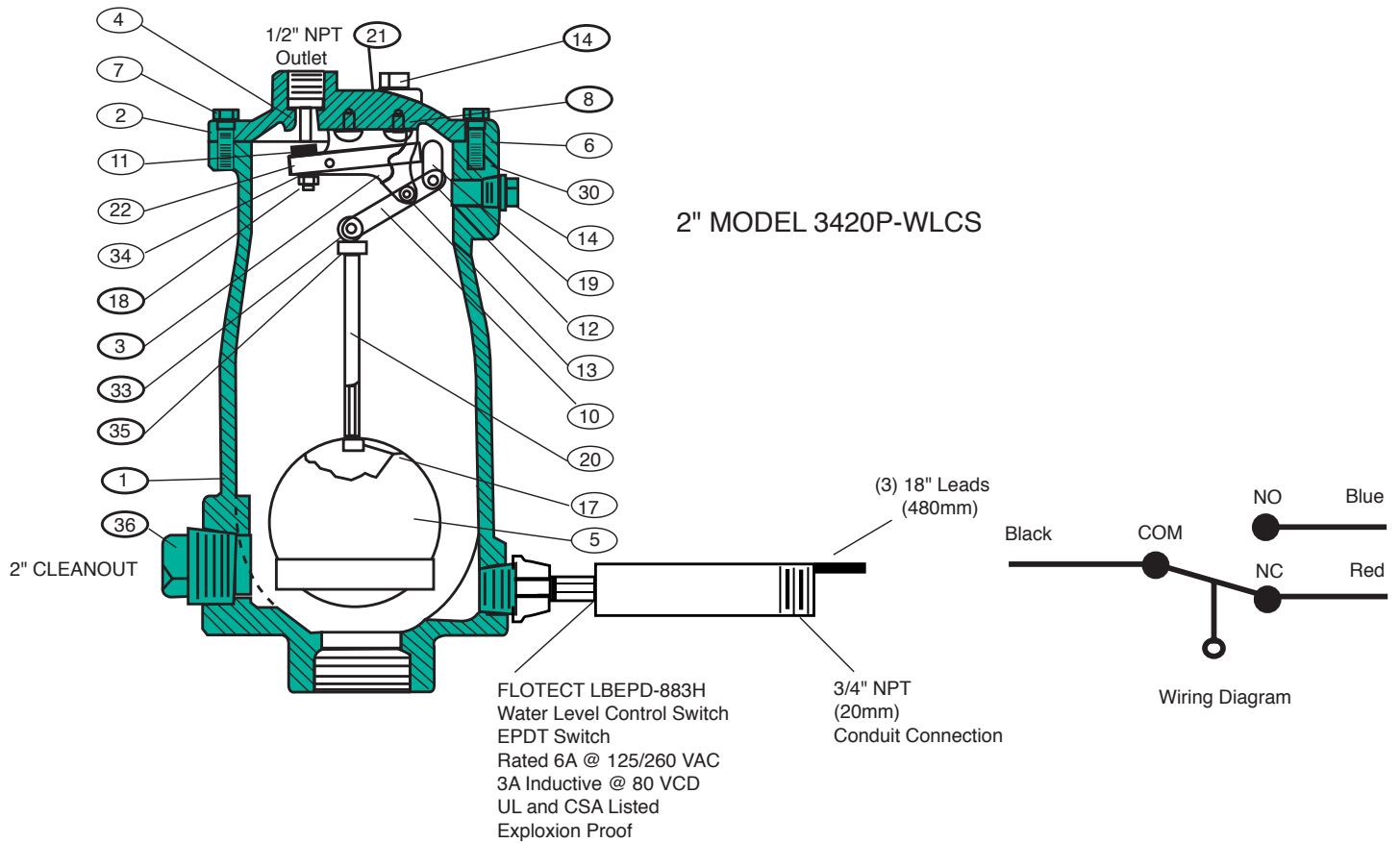
Detail No.	Part Name	Material	Detail No.	Part Name	Material
1	Body	Cast Iron ASTM A126, Class B	13	Retaining Ring	Stainless Steel PH 15-7 Mo
2	Cover	Cast Iron ASTM A126, Class B	14	Pipe Plug	Malleable Iron
3	Lever Frame	Stainless Steel ASTM A240	15	Cushion	Buna-N <sup>®</sup>
4	Seat	Stainless Steel SAE 30303	17	Float Retainer	Stainless Steel ASTM A276
5	Float	Stainless Steel ASTM A240	18	Lock Nut	Stainless Steel ASTM A276
6	Gasket	Lexide NK-511 (Non-Asbestos)	19	Link	Stainless Steel ASTM A240
7	Cover Bolt	Alloy Steel ASTM A449 Grade 5	21	Locating Pin	Stainless Steel T420
8	Retaining Screw	Stainless Steel ASTM A276	22	Orifice Button Arm	Stainless Steel SAE 30303
10	Float Arm	Stainless Steel SAE 30303	28	Pipe Plug	Malleable Iron
11	Orifice Button	Stainless Steel & Buna-N <sup>®</sup>	30	Washer	Stainless Steel ASTM A240
12	Pivot Pin	Stainless Steel SAE 30303	34	Lock Washer	Stainless Steel ASTM A240

Model No.			Model No.		Inlet Size	Outlet Size	Wt. Lbs.
Valve Size	150 psi Max. W.P.	150 psi Orifice	300 psi Max. W.P.	300 psi Orifice			
6"	3460AR-1.C	1"	3460AR-750.3C	3/4"	6"	1" N.P.T.	200



# Series 34P-WLCS

## Priming Air Release Valve - Pump Protector



Detail No.	Part Name	Material	Detail No.	Part Name	Material
1	Body	Cast Iron ASTM A126, Class B	13	Retaining Ring	Stainless Steel PH 15-7 Mo
2	Cover	Cast Iron ASTM A126, Class B	14	Pipe Plug	Malleable Iron
3	Lever Frame	Stainless Steel ASTM A240	17	Float Retainer	Stainless Steel ASTM A276
4	Seat	Stainless Steel SAE 30303	18	Lock Nut	Stainless Steel ASTM A276
5	Float	Stainless Steel ASTM A240	19	Link	Stainless Steel ASTM A240
6	Gasket	Lexide NK-511 (Non-Asbestos)	20	Extension Shaft	Stainless Steel ASTM A240
7	Cover Bolt	Alloy Steel ASTM A449 Grade 5	21	Locating Pin	Stainless Steel T420
8	Retaining Screw	Stainless Steel ASTM A276	22	Orifice Button Arm	Stainless Steel SAE 30303
10	Float Arm	Stainless Steel SAE 30303	30	Washer	Stainless Steel T304, ASTM A240
11	Orifice Button	Stainless Steel & Buna-N®	33	Clevis	Stainless Steel ASTM A240
12	Pivot Pin	Stainless Steel SAE 30303	34	Lock Washer	Stainless Steel ASTM A24
			35	Retainomng Screw	Stainless Steel ASTM A240

Valve Size	Inlet Size	OUTLET	MODEL NUMBER FOR STANDARD 150WP	SMALL ORIFICE DIAMETER	Height	Width	Depth	Wt. Lbs.
		Air Release		150WP				
2"	2"	1/2" NPT	3420P-WLCS	3/16"	25	23	7	105