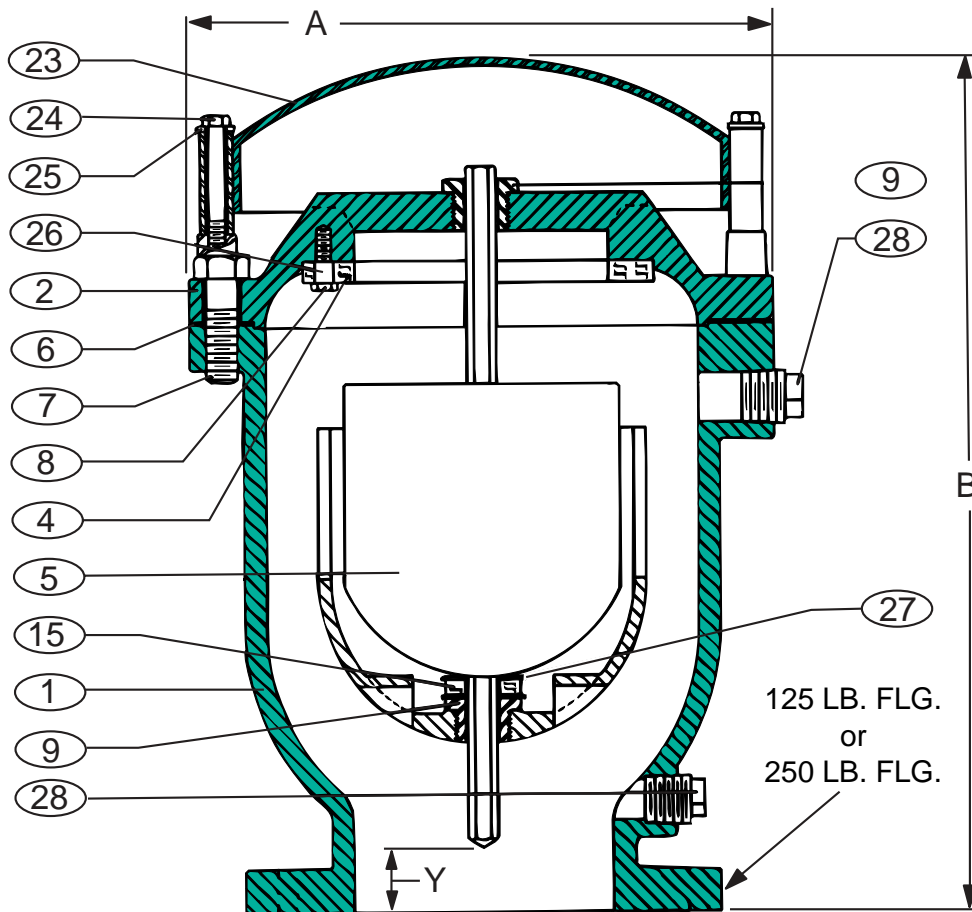




Series 35

Air and Vacuum Valve



Detail No.	Part Name	Material	Detail No.	Part Name	Material
1	Body	Cast Iron ASTM A126, Class B	15	Cushion	Buna-N®
2	Cover	Cast Iron ASTM A126, Class B	23	Hood	Steel - #1020
4	Seat	Buna-N®	24	Hood Retaining Screw	Steel (Cadmium Plated)
5	Float	Stainless Steel T304, ASTM A240	25	Washer - External	Steel (Cadmium Plated)
6	Gasket	Ilexide NK-511 (non-Asbestos)	26	Seat Retaining Sleeve	Stainless Steel T304, ASTM A269
7	Cover Bolt	Alloy Steel ASTM A449, Grade 5	27	Washer - Internal	Stainless Steel T303, ASTM A240
8	Retaining Screw	Stainless Steel T303 ASTM A276	28	Pipe Plug	Malleable Iron
9	Guide Bushing	Stainless Steel T303, ASTM A276			

Model No	Valve Size	A	B	Butterfly Valve * Y Disc Clearance	Inlet Size	Outlet Size
354-AV	4"	12"	17"	1 3/8"	4" FLG.	4"
356-AV	6"	14"	20"	2 1/2"	6" FLG.	6"
358-AV	8"	18"	23"	7/8"	8" FLG.	8"
3510-AV	10"	20"	26"	1"	10" FLG.	10"
3512-AV	12"	24"	31"	2 3/4"	12" FLG.	12"
3514-AV	14"	27"	34"	1 1/2"	14" FLG.	14"
3516-AV	16"	30 1/2"	34"	1 5/8"	16" FLG.	16"