



MODEL — **60-08**

Booster Pump Control Valve with High Capacity Pilot System



- Designed for Larger Sized Pump Stations
- Low Head Loss
- Built-in Check Valve
- Opening and Closing Rates Separately Adjusted
- Proven Reliable Design

The Cla-Val Model 60-08 Pump Control Valve is a pilot-operated valve designed for installation on the discharge of booster pumps to eliminate pipeline surges caused by the starting and stopping of the pump.

The pump starts against a closed valve. When the pump is started, the solenoid control is energized and the valve begins to open slowly, gradually increasing line pressure to full pumping head. When the pump is signaled to shut-off, the solenoid control is de-energized and the valve begins to close slowly, gradually reducing flow while the pump continues to run. When the valve is closed, a limit switch assembly, which serves as an electrical interlock between the valve and the pump, releases the pump starter and the pump stops.

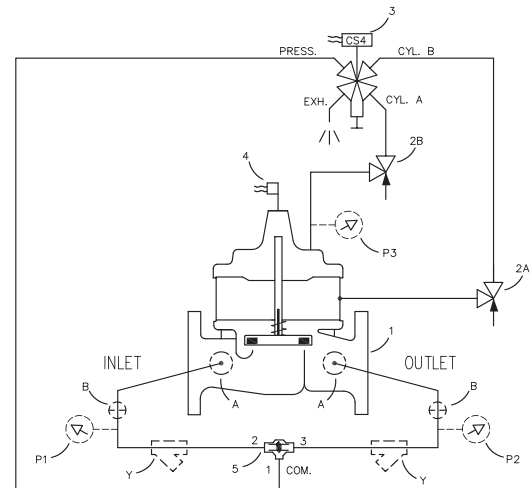
Should a power failure occur, a built-in, lift-type check valve closes the moment flow stops, preventing reverse flow regardless of solenoid or diaphragm assembly position.

Schematic Diagram

Item	Description
1	Powercheck Model 100-03 Main Valve
2	CV Flow Control
3	CS4SM 4-Way Solenoid Control
4	X105LCW Switch Assembly
5	CVS-1 Shuttle Valve

Optional Features

Item	Description
A	X46A Flow Clean Strainer
B	CK2 Isolation Valve
P	X141 Pressure Gauge
Y	X43 "Y" Strainer
PC	PC-22D Universal Pump Control Panel

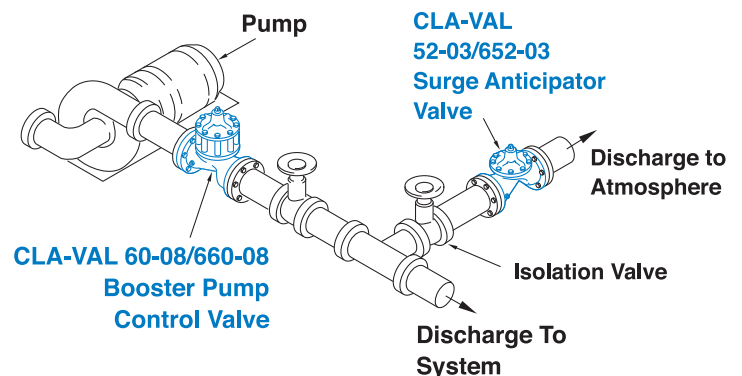


Typical Installation

Install Model 60-08 valve as shown. Flexible conduit should be used for electrical connections to the solenoid control and the limit switch. A Model 52-02/652-03 Surge Anticipator Valve is recommended for power failure protection.

Use the PC-22D Pump Control Panel for applications where electronic control and integration with SCADA is desired.

Note: For optimum operation of built-in check feature, installation must be with valve stem vertically up.



Pressure Ratings (Recommended Maximum Pressure - psi)

Valve Body & Cover		Pressure Class			
		Flanged			Threaded
Grade	Material	ANSI Standards*	150 Class	300 Class	End‡ Details
ASTM A536	Ductile Iron	B16.42	250	640	400
ASTM A216-WCB	Cast Steel	B16.5	285	720	400
UNS 87850	Bronze	B16.24	225	500	400

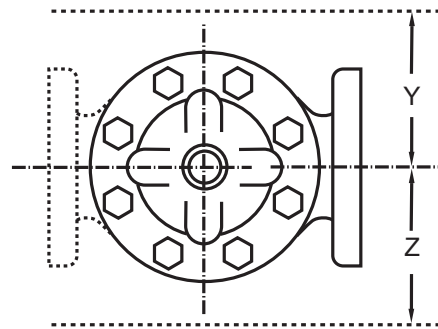
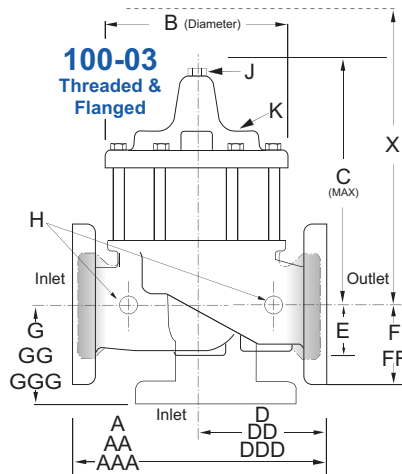
Note: * ANSI standards are for flange dimensions only.
 Flanged valves are available faced but not drilled.
 ‡ End Details machined to ANSI B2.1 specifications.
Valves for higher pressure are available; consult factory for details

Materials

Component	Standard Material Combinations		
Body & Cover	Ductile Iron	Cast Steel	Bronze
100-03 Available Sizes	10" - 16"	10" - 16"	10" - 16"
Disc Retainer & Diaphragm Washer	Cast Iron	Cast Steel	Bronze
Trim: Disc Guide, Seat & Cover Bearing	Bronze is Standard Stainless Steel is Optional		
Disc	Buna-N® Rubber		
Diaphragm	Nylon Reinforced Buna-N® Rubber		
Stem, Nut & Spring	Stainless Steel		

For material options not listed, consult factory.
 Cla-Val manufactures valves in more than 50 different alloys.

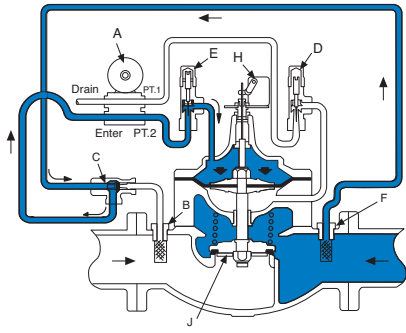
Dimensional Data



60-08 Series Dimensions (Full Internal Port)

Valve Size (Inches)	10	12	14	16
A Threaded	not available	not available	not available	not available
AA 150 ANSI	29.75	34.00	39.00	41.38
AAA 300 ANSI	31.12	35.50	40.50	43.50
B Dia.	23.62	28.00	32.75	35.50
C Max.	23.38	29.31	32.12	35.00
D Threaded	not available	not available	not available	not available
DD 150 ANSI	14.88	17.00	19.50	20.69
DDD 300 ANSI	15.56	17.75	20.25	21.75
E	9.25	10.75	12.62	15.50
F 150 ANSI	8.00	9.50	10.50	11.75
FF 300 ANSI	8.75	10.25	11.50	12.75
G Threaded	not available	not available	not available	not available
GG 150 ANSI	8.62	13.75	14.88	15.69
GGG 300 ANSI	9.31	14.50	15.62	16.50
H NPT Body Tapping	1	1	1	1
J NPT Cover Center Plug	1	1.25	1.50	2
K NPT Cover Tapping	1	1	1	1
Stem Travel	2.8	3.4	4.0	4.5
Approx. Ship Wt. Lbs.	940	1675	2460	3100
X Pilot System	30.00	37.00	41.00	43.00
Y Pilot System	20.00	22.00	24.00	26.00
Z Pilot System	20.00	22.00	24.00	26.00

Sequence Of Operation

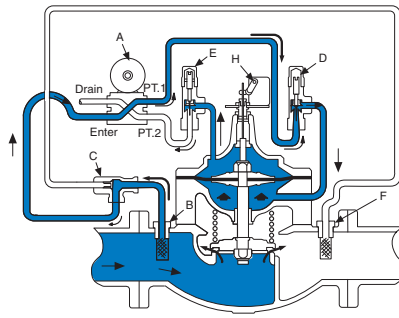


Pump Off...

With pump off, line pressure exists above the diaphragm holding the main valve closed.

Shuttle valve C always supplies highest pressure to solenoid control A through strainers B and F.

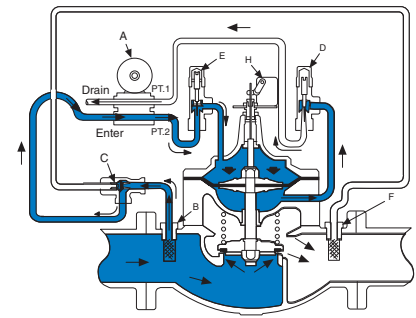
If power failure occurs when valve is open, the built-in check valve J closes immediately to prevent reverse flow.



Starting Cycle...

Starting switch closes, pump starts, solenoid control energizes.

Upstream fluid flows to chamber below main valve diaphragm through strainer B, shuttle valve C, solenoid control A, and closing rate flow control D. Valve opens slowly as fluid from diaphragm chamber is gradually released to atmosphere through opening rate flow control E and solenoid control A.



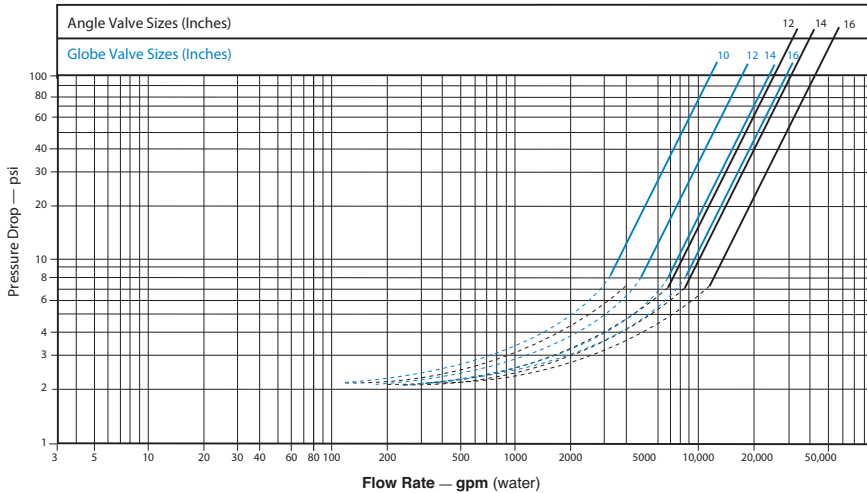
Stopping Cycle...

Starting switch opens, solenoid control de-energizes.

Upstream fluid flows to valve diagram through strainer B, shuttle valve C, solenoid control A and opening rate Flow Control E.

Valve closes slowly as fluid below diaphragm chamber is gradually released to atmosphere through closing rate flow control D and solenoid control A.

Model 60-08 Flow Chart (Uses Main Valve Model 100-03)



Valve Sizing

Sizing Model 60-08 Booster Pump Control Valves is similar to sizing non-modulating type valves. Simply select the smallest size valve that will handle the pump output at an acceptable head loss for the application.

Do not oversize. Oversizing a Booster Pump Control Valve will nullify its ability to prevent surges caused by the starting and/or stopping of the pump. Maximum flow values are given in the selection table above. For further information on flow characteristics of this valve, see the 100-03 technical data sheet.

Example:

A booster pump station with a rated output of 1000 GPM and 5 psi is an acceptable head loss for the application.

Drain Provisions

Each time the valve opens or closes, water is discharged from the solenoid exhaust port, the amount varying with the valve size. Provisions should be made for the disposal of this water. Exhaust tube must be free of any back pressure. Provide an air gap between the solenoid exhaust tube and drain facility.

Liquid Volume Displaced from Diaphragm Chamber When Valve Opens or Closes

Sizes (Inches)	10"	12"	14"	16"
60-08 Displacement (gallons)	2.51	4.00	6.50	9.57

Optional Electronic Control



The Cla-Val PC-22D provides control of the pump and pump control valve, preventing surges in the system when the pump starts or stops. It consists of a pre-wired electrical control panel employing a programmable valve controller to sequence the pump and pump control valve during all modes of operation. Provides added protection to the pumping system from damage caused by mechanical, hydraulic or power failure.

The PC-22D offers all the control features found in the recommended wiring diagrams for Cla-Val pump control valves, plus alarms, automatic shutdown and adjustable timers.