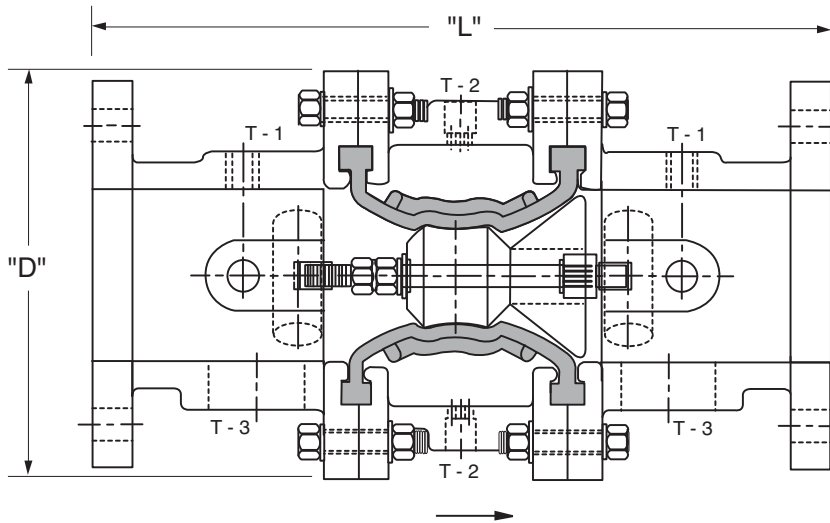


Dimensions

Model 800GS



Valve Size (Inches)	4	6	8	10
L	17.25	18.25	20.00	22.00
D	9.5	11.75	14.00	16.00
T-1/T-2 (NPT)	1/2	1/2	1/2	1/2
T-3 (NPT)	2	2	2	2
Approx. Wt. (Lbs.)	151	196	285	330

Valve Size (mm)	100	150	200	250
L	438	464	508	559
D	241	299	356	406
T-1/T-2 (NPT)	1/2	1/2	1/2	1/2
T-3 (NPT)	2	2	2	2
Approx. Wt. (kgs)	68	89	129	150

4", 6", 8" and 10" Factory Mutual Components

FLOW FACTORS		
SIZE (IN)	CV (gpm)	KV
4"	340	77.3
6"	885	201
8"	1667	379
*10"	2424	550

*Calculated

MAIN VALVE

Ends:	Flanged ANSI B16.5 (150lb Class)
Body:	Cast Steel (ASTM A216 WCB)
Tube Diaphragm:	Nitrile Rubber
Barrier:	Urethane
Bolts:	316 SS
Pressure:	250 psig (17.24 BAR)
Temp. Range:	32° F to 180° F (0° C to 82.2° C)

MAIN VALVE OPTIONS

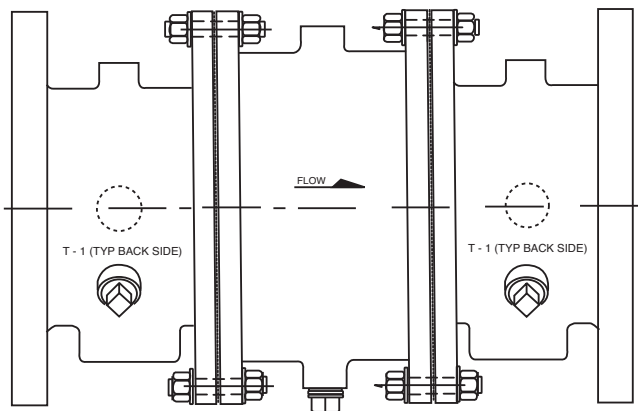
Body:	Nickel Aluminum Bronze (ASTM B148) or Super Duplex SS (ASTM A890 GR5A)
-------	--

PILOT VALVE

All Parts:	316 SS
O-Rings:	Nitrile Rubber
Control Range:	20 to 250 PSIG
Pilot Pressure Range:	20 to 250 PSIG
Operation:	Latches in operated position; manual reset

PILOT VALVE OPTIONS

All Parts:	Monel (Alloy 400)
Operation:	Non-latching



When Ordering Please Specify:

1. Catalog No. 800GS
2. Valve Size
3. Fluid Being Handled
4. Fluid Temperature Range
5. Inlet Pressure Range
6. Outlet Pressure Range
7. Maximum Differential Pressure
8. Minimum Differential Pressure
9. Maximum Flow Rate

Cla-Val 800 Series Control Valves operate with maximum efficiency when mounted in horizontal or vertical piping. We recommend isolation valves be installed on inlet and outlet for maintenance. Adequate space above and around the valve for service personnel should be considered essential. A regular maintenance program should be established based on the specific application data. However, we recommend a thorough inspection be done at least once a year. Consult factory for specific recommendations.

CLA-VAL

PO Box 1325 Newport Beach CA 92659-0325 • Phone: 949-722-4800
 Fax: 949-548-5441 • Web Site: cla-val.com • E-mail: claval@cla-val.com

CLA-VAL CANADA

4687 Christie Drive
 Beamsville, Ontario
 Canada L0R 1B4
 Phone: 905-563-4963
 Fax: 905-563-4040
 E-Mail: sales@cla-val.ca

CLA-VAL EUROPE

Chemin des Mésanges 1
 CH-1032 Romanel/
 Lausanne, Switzerland
 Phone: 41-21-643-15-55
 Fax: 41-21-643-15-50
 E-Mail: cla-val@cla-val.ch

CLA-VAL UK

Dainton House, Goods Station Road
 GB - Tunbridge Wells
 Kent TN11 2 DH England
 Phone: 44-1892-514-400
 Fax: 44-1892-543-423
 E-Mail: info@cla-val.co.uk

Represented By:



E-800GS (R-03/2015)

© Copyright CLA-VAL 2015 Printed in USA Specifications subject to change without notice.