



Series 33A

Air Release & Vacuum Breaker Valve

- High Performance Single Body Design
- Threaded or Flanged Inlet

Sizes:

1", 2", 3" and 4" NPT
Optional 150 or 300 Class ANSI Flange Inlet

Pressure Rating

500 psi Maximum
Body and Cover
300 psi Working

Materials

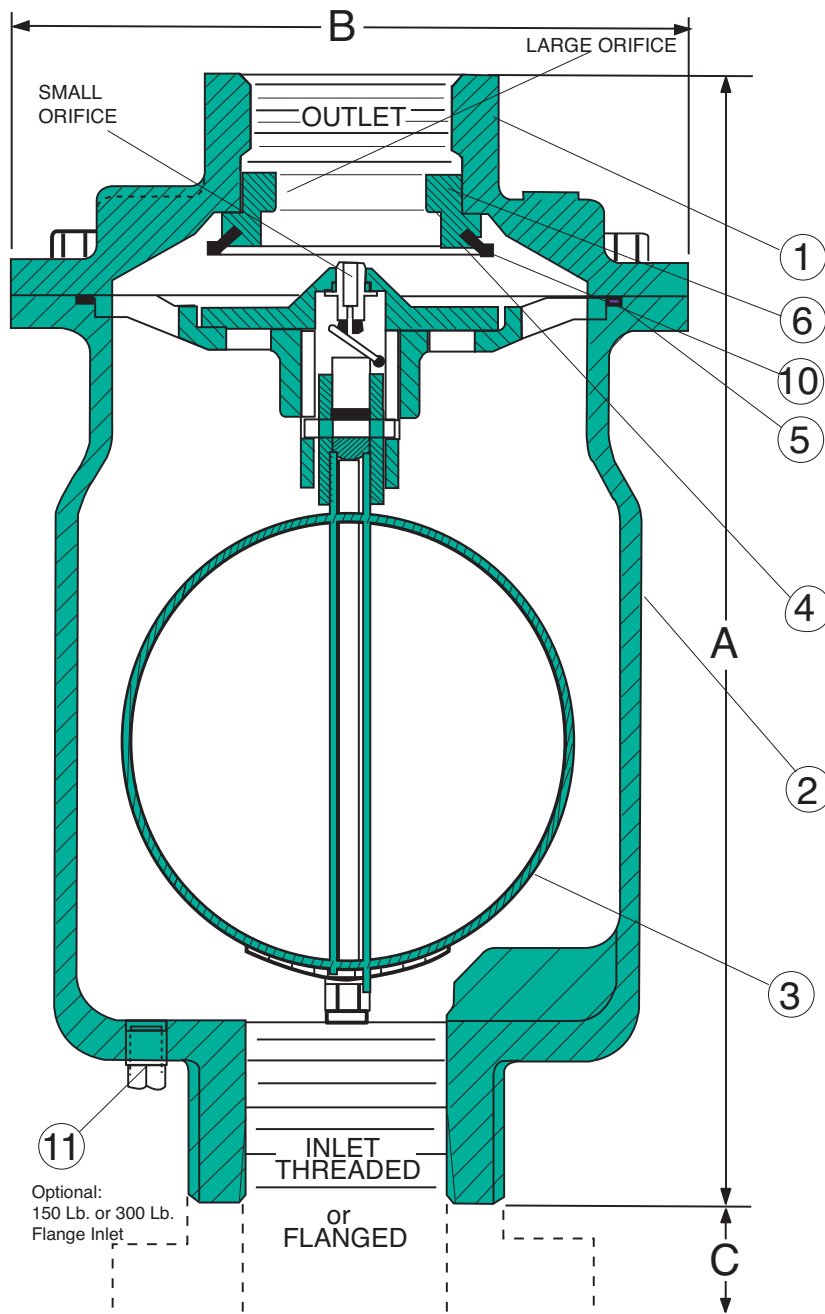
Body and Cover:
Ductile Iron ASTM A536 65-45-12
Other Materials Available, Consult Factory
Float: Stainless Steel T304
Internal Parts: Stainless Steel and Delrin
Seals: Nitrile Rubber

Temperature Range

Water to 180° F

Optional:

1. Fusion epoxy lined and coated extra cost. Specify with Suffix Letter "KC".
2. For Well Service, Install extra cost Throttling Device on Outlet. Consult Factory



Optional:
150 Lb. or 300 Lb.
Flange Inlet

Valve Size	1"	2"	3"	4"
A	9.10	13.50	12.75	12.75
B	6.25	7.50	9.00	9.00
C (150 Lb.)	--	.62	.75	.94
C (300 Lb.)	--	.88	1.12	1.12
Inlet (NPT)	1" NPT	2" NPT	3" NPT	4" NPT
Outlet (NPT)	1" NPT	2" NPT	4" NPT	4" NPT
Shipping Wt. (Lbs.)*	25	29	38	40
Max. Operating PSI (Std. Orifice)	300	500	300	300
Max. Operating PSI (with .076 Orifice)	300	500	450	450

* Approximate

Part No.	Qty.	Description
1	1	Cover
2	1	Body
3**	1	Float Ball
4**	1	Seal Rign
5**	1	O-Ring
6	1	Seat

Part No.	Qty.	Description
7	8	Bolt Hex Nut
8	2	Screw Drive
9	1	Nameplate
10	1	O-Ring
11	1	1/4" NPT Drain Plug

** Recommended Spare Parts Kit