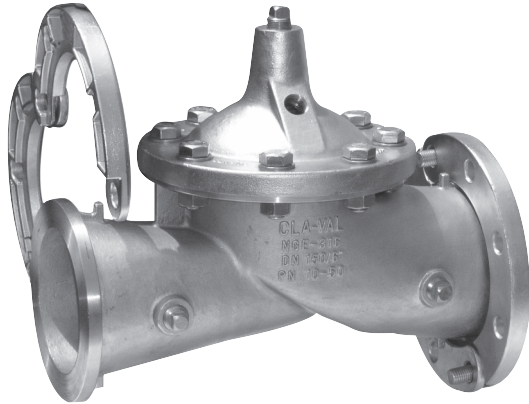




— MODEL — **100-44**  
(Reduced Internal Port)

# 316SS Hytrol Valve



**Note:**

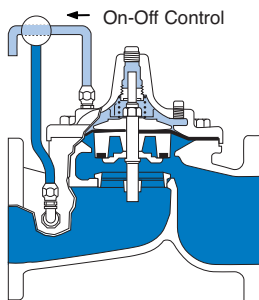
KO anti-cavitation trim is available for valves in sizes 4" and larger only.

- All 316 Stainless Steel
- Reduced Cavitation Design
- Drip-Tight, Positive Sealing Action
- Service Without Removal From Line
- Every Valve Factory Tested
- Three-Year Warranty

The Cla-Val Model 100-44 Hytrol 316SS Valve is a reduced port hydraulically operated, diaphragm actuated, globe pattern valve with all 316 Stainless Steel metal parts. Specially designed 316 Stainless Steel removable slip-on flanges provide 150 or 300 ANSI class flange connections that meet ANSI and ISO standards. This valve is ideal for control valve applications where fluid compatibility is often a problem. The standard Electropolish finish on the 316 Stainless Steel parts offers extreme corrosion resistance to many industrial fluids such as seawater, high alkyl or high acid concentrations or other aggressive or corrosive fluids.

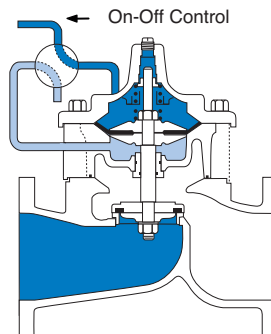
The Model 100-44 Hytrol consists of these major components: body, flanges, diaphragm assembly and cover. The diaphragm assembly is the only moving part and is guided top and bottom by a precision-machined stem. A non-wicking diaphragm of nylon fabric reinforced, synthetic rubber creates the control chamber for the valve. A resilient, synthetic rubber disc forms a drip-tight seal, with the renewable seat, when pressure is applied to the control chamber. The rugged simplicity of design and packless construction assures a long life of dependable, trouble-free operation. Smooth flow passages and fully guided diaphragm assembly assure optimum control, when used in piping systems requiring remote control, pressure regulation, solenoid operation, rate of flow control or check valve operation.

## Principle of Operation



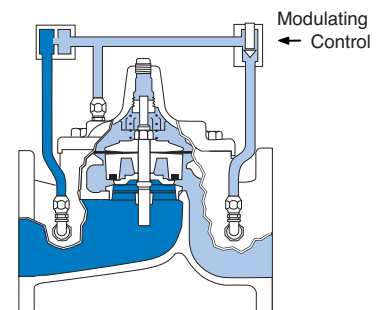
### Full Open Operation

When pressure in the cover chamber is relieved to a zone of lower pressure, the line pressure at the valve inlet opens the valve, allowing full flow.



### Tight Closing Operation

When pressure from the valve inlet is applied to the cover chamber, the valve closes drip-tight.



### Modulating Action

The valve holds any intermediate position when operating pressure is equal above and below the diaphragm. Using a Cla-Val "Modulating" Control will allow the valve to automatically compensate for line pressure changes.

# 100-44 Main Valve Specifications

## Sizes

Globe (inch):  
2", 2½", 3", 4", 6", 8", 10", 12"

## End Detail

Slip-on Two Piece Flange  
Dimensions Per ANSI B16.5

## Pressure Rating

ANSI Class 150:  
Maximum 285 psi  
ANSI Class 300:  
Maximum 400 psi

Higher Pressure Available  
Please Contact Factory

## Operating Temperature

Fluids Compatible with Valve  
Materials  
-40° to 180° F (-40° to 82° C)

## Materials

Body, Cover, Trim,  
Diaphragm Assembly,  
Flanges, and Fasteners

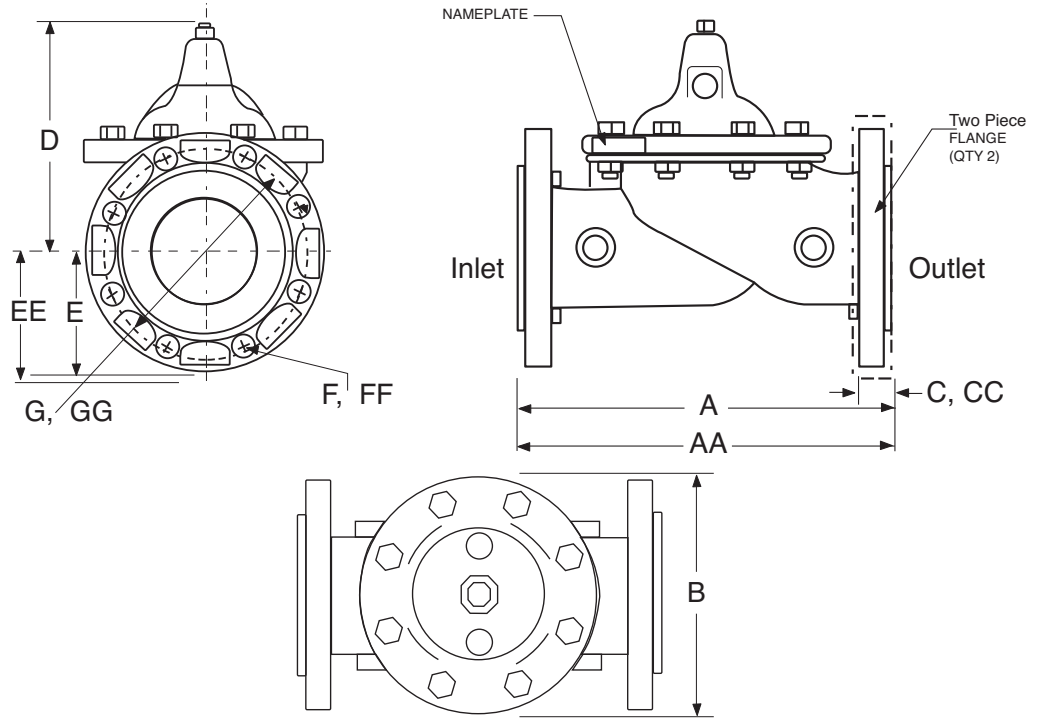
316 Series  
Stainless Steel  
Electropolished

Disc:  
Buna-N® Rubber\*

Diaphragm:  
Nylon Fabric Reinforced  
Synthetic Buna-N® Rubber\*

\*Contact Factory for Other  
Disc or Diaphragm Materials

**Note:** 100-44 valve uses the same  
internal parts as the basic Cla-Val  
standard main reduced internal  
port 100-20 Hytrol.



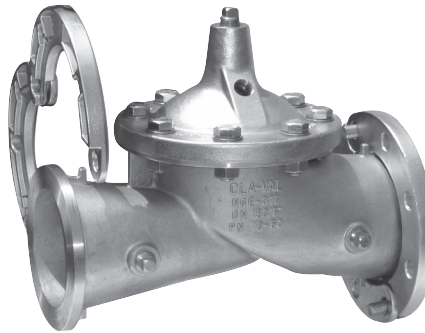
## 100-44 Main Valve Dimensions (inches)

Valve Size (Inches)	2	2½	3	4	6	8	10	12
A 150 ANSI	9.06	11.42	12.20	13.78	18.90	23.62	28.74	33.46
AA 300 ANSI	9.06	11.42	12.20	13.78	18.90	23.62	28.74	33.46
B	5.70	8.06	6.69	9.25	11.61	15.75	20.08	23.62
C	0.89	0.89	0.93	0.93	1.02	1.15	1.15	1.25
CC 300 ANSI	0.96	0.96	1.00	1.00	1.10	1.15	1.46	1.50
D	6.50	7.95	8.20	10.12	13.32	16.39	19.12	20.95
E	3.05	3.54	3.74	4.53	5.61	6.79	7.97	9.55
EE 300 ANSI	3.25	3.75	4.13	5.01	6.30	7.48	8.76	10.24
F	0.71	0.71	0.71	0.71	0.91	0.87	1.02	1.02
FF 300 ANSI	0.71	0.75	0.87	0.87	0.87	1.03	1.16	1.34
G	4.75	5.50	6.00	7.50	9.50	11.75	14.25	17.00
GG 300 ANSI	5.00	5.88	6.62	7.88	10.62	13.00	15.25	17.72
Flange Bolts (150 Class)	4	4	4	8	8	8	12	12
Flange Bolts (300 Class)	8	8	8	8	12	12	16	16
Approx. Wt. (Lbs.)	25	40	40	75	160	290	419	728

## Reduced Port Functional Data

Size (Inches)	Cv (gpm)*	Cv (l/s)**
2	38	9
2½	50	12
3	67	16
4	138	33
6	242	58
8	555	133
10	923	222
12	1492	359

\*Cv = gpm flow at 1 psi drop  
\*\*Cv = l/s flow at 1 bar drop



### When Ordering Please Specify:

1. Catalog No. 100-44
2. Valve Size
3. Fluid Being Handled
4. Fluid Temperature
5. Inlet Pressure Range
6. Outlet Pressure Range
7. Maximum and Minimum Differential Pressure
8. Flow Rate Range



E-100-44 US Units (R-02/2019)

1701 Placentia Avenue • Costa Mesa, CA 92627  
800-942-6326 • Fax: 949-548-5441 • Web Site: [cla-val.com](http://cla-val.com) • E-mail: [info@cla-val.com](mailto:info@cla-val.com)

**CLA-VAL CANADA**  
4687 Christie Drive  
Beamsville, Ontario  
Canada L0R 1B4  
Phone: 905-563-4963  
E-mail: [sales@cla-val.ca](mailto:sales@cla-val.ca)

**CLA-VAL EUROPE**  
Chemin des Mésanges 1  
CH-1032 Romanel/  
Lausanne, Switzerland  
Phone: 41-21-643-15-55  
E-mail: [cla-val@cla-val.ch](mailto:cla-val@cla-val.ch)

**CLA-VAL UK**  
Dainton House, Goods Station Road  
Tunbridge Wells  
Kent TN11 2 DH England  
Phone: 44-1892-514-400  
E-mail: [info@cla-val.co.uk](mailto:info@cla-val.co.uk)

**CLA-VAL FRANCE**  
Porte du Grand Lyon 1  
ZAC du Champ du Pérrier  
France - 01700 Neyron  
Phone: 33-4-72-25-92-93  
E-mail: [cla-val@cla-val.fr](mailto:cla-val@cla-val.fr)

**CLA-VAL PACIFIC**  
45 Kennaway Road  
Woolston, Christchurch, 8023  
New Zealand  
Phone: 64-39644860  
[www.cla-valpacific.com](http://www.cla-valpacific.com)  
E-mail: [info@cla-valpacific.com](mailto:info@cla-valpacific.com)

©COPYRIGHT CLA-VAL 2019 Printed in USA. Specifications subject to change without notice.

visit [www.cla-val-latinamerica.com](http://www.cla-val-latinamerica.com) for Spanish literature