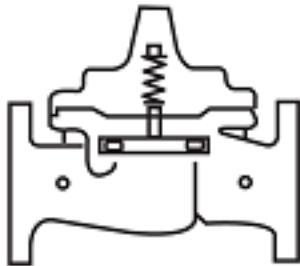

CLA-VAL

AUTOMATIC CONTROL VALVES

60-73/660-73

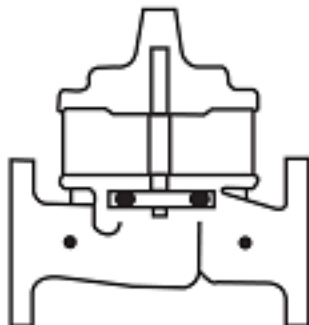
Place this manual with personnel responsible
for maintenance of this valve



Installation



Operation



Maintenance



CLA-VAL • 1701 Placentia Avenue • Costa Mesa, CA 92627 • (949) 722-4800 • info@cla-val.com
CLA-VAL CANADA LTD. • 4687 Christie Drive • Beamsville, Ontario, LOR 1B4 Canada • (905) 563-4963

www.cla-val.com • info@cla-val.com



NEWPORT BEACH, CALIFORNIA

CATALOG NO.
60-73/660-73

DRAWING NO.
20803

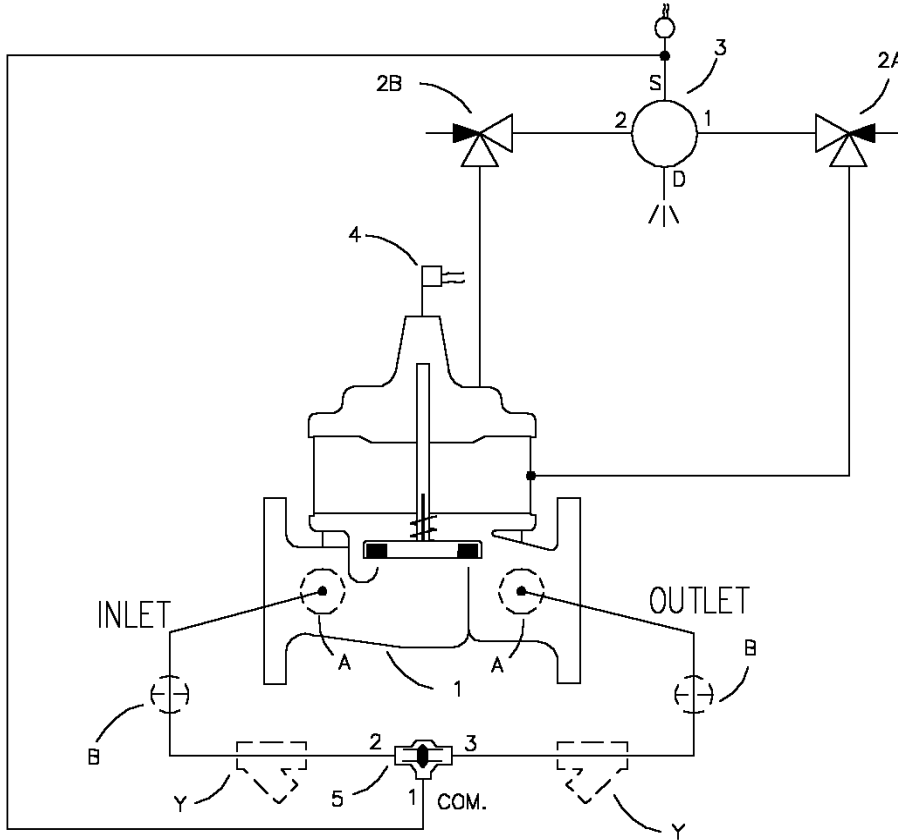
REV.
A

TYPE OF VALVE AND MAIN FEATURES

PUMP CONTROL VALVE

DESIGN		
DRAW	ARS	4-10-90
CHK'D	JH	4-22-90
APVD	CH	4-23-90

----- NOT FURNISHED BY CLA-VAL CO. ----- OPTIONAL FEATURES



ITEM NO.	BASIC COMPONENTS	QTY
1	100-30 POWERCHECK (60-73) MAIN VALVE	1
	100-31 POWERCHECK (660-73) MAIN VALVE	
2	CV FLOW CONTROL	2
3	CSM11-A2-2 SOLENOID CONTROL	1
4	X105LCW SWITCH ASSEMBLY	1
5	CVS-1 SHUTTLE VALVE	1

OPTIONAL FEATURE SUFFIX	ADDED TO CATALOG NUMBER	QTY
A	X46A FLOW CLEAN STRAINER	2
B	CK2 COCK (ISOLATION VALVE)	2
Y	X43 "Y" STRAINER	2

TLC 10-9-92

(660-73) TO ITEM 1 (ECO 13288)

CAD REVISION RECORD - DO NOT REVISE MANUALLY

LTR	DESCRIPTION	BY	DATE
-	RELEASED FOR PRODUCTION (ECO 36059)	ARS	4-10-90
A	REDRAWN ON CAD; CAT. NO. WAS 60-73; ADDED 100-31		

"THIS DRAWING IS THE PROPERTY OF CLA-VAL CO. AND SAME AND COPIES MADE THEREOF, IF ANY, SHALL BE RETURNED TO IT UPON DEMAND. DELIVERY AND DISCLOSURE HEREOF ARE SOLELY UPON CONDITION THAT THE SAME SHALL NOT BE USED, COPIED OR REPRODUCED, NOR SHALL THE SUBJECT HEREOF BE DISCLOSED IN ANY MANNER FOR ANY PURPOSE, EXCEPT AS HEREIN AUTHORIZED, WITHOUT PRIOR WRITTEN APPROVAL OF CLA-VAL CO. THIS DRAWING IS SUBMITTED CONFIDENTIALLY AND MAY NOT BE USED IN THE MANUFACTURE OF ANY MATERIAL OR PRODUCT OTHER THAN SUCH MATERIALS AND PRODUCTS FURNISHED TO CLA-VAL CO. WHETHER OR NOT THE EQUIPMENT OR INFORMATION SHOWN HEREON IS PATENTED OR OTHERWISE PROTECTED, FULL TITLE AND COPYRIGHTS, IF ANY, IN AND TO THIS DRAWING AND/OR INFORMATION DELIVERED OR SUBMITTED ARE FULLY RESERVED CLA-VAL CO."



CATALOG NO.
60-73/660-73

DRAWING NO.
20803

REV.
A

TYPE OF VALVE AND MAIN FEATURES

PUMP CONTROL VALVE

DESIGN		
DRAW	ARS	4-10-90
CHK'D	JH	4-22-90
APVD	CH	4-23-90

OPERATING DATA

I. SOLENOID CONTROL FEATURE:

SOLENOID CONTROL (3) IS A DIRECT ACTING, 4-WAY SOLENOID CONTROL THAT CHANGES POSITION WHEN THE COIL IS DE-ENERGIZED OR ENERGIZED. THIS APPLIES OR RELIEVES PRESSURE IN THE COVER CHAMBER OR POWERROL CHAMBER OF THE MAIN VALVE, PROVIDING THE OPERATION SHOWN IN THE FOLLOWING TABLE:

SOLENOID CONTROL (3)		MAIN VALVE COVER CHAMBER	MAIN VALVE POWERROL CHAMBER	MAIN VALVE (1) POSITION
POSITION	PORTS CONNECTED			
ENERGIZED	1 & S 2 & D	PRESSURE RELIEVED	PRESSURE APPLIED	OPEN
DE-ENERGIZED	1 & D 2 & S	PRESSURE APPLIED	PRESSURE RELIEVED	CLOSED

II. SOLENOID MANUAL OPERATOR:

TO MANUALLY OPERATE THE SOLENOID, PRESS DOWN ON THE KNURLED KNOB LOCATED ON TOP OF THE COIL ENCLOSURE AND TURN CLOCKWISE 1/4 TURN. TO RETURN THE SOLENOID TO ELECTRICAL CONTROL, TURN THE KNURLED KNOB CLOCKWISE 1/4 TURN AND THE KNURLED KNOB WILL RETURN TO THE ORIGINAL POSITION.

III. CLOSING SPEED CONTROL:

FLOW CONTROL (2A) CONTROLS THE CLOSING SPEED OF THE MAIN VALVE. TURN THE ADJUSTING STEM CLOCKWISE TO MAKE THE MAIN VALVE CLOSE SLOWER.

IV. OPENING SPEED CONTROL:

FLOW CONTROL (2B) CONTROLS THE OPENING SPEED OF THE MAIN VALVE. TURN THE ADJUSTING STEM CLOCKWISE TO MAKE THE MAIN VALVE OPEN SLOWER.

V. SWITCH ASSEMBLY FEATURE:

SWITCH ASSEMBLY (4) IS ACTUATED BY A STEM EXTENSION ATTACHED TO THE MAIN VALVE STEM. THE SWITCH ASSEMBLY IS FACTORY ADJUSTED TO ACTUATE A SINGLE-POLE, DOUBLE-THROW SWITCH WHEN THE MAIN VALVE IS ALMOST CLOSED. WHEN THE MAIN VALVE STARTS TO OPEN, THE SPRING LOADED SWITCH ACTUATING LEVER IS RELEASED AND RETURNS THE SWITCH TO ITS NORMAL POSITION.

CAD REVISION RECORD - DO NOT REVISE MANUALLY


DATE

BY

DESCRIPTION

SEE SHEET 1.

LTR

 CLA-VAL CO. NEWPORT BEACH, CALIFORNIA	CATALOG NO.	DRAWING NO.	REV.
	60-73/660-73	20803	A
TYPE OF VALVE AND MAIN FEATURES		DESIGN	
PUMP CONTROL VALVE		DRAW	ARS 4-10-90
		CHK'D	JH 4-22-90
		APVD	CH 4-23-90

OPERATING DATA-CONTINUED

VI. CHECK VALVE FEATURE:

THE MAIN VALVE (1) HAS AN INTEGRAL CHECK FEATURE. WHEN OUTLET PRESSURE EXCEEDS INLET PRESSURE, THE MAIN VALVE CLOSSES PREVENTING REVERSE FLOW

VII. DUAL SUPPLY FEATURE:

WHEN MAIN VALVE (1) INLET PRESSURE EXCEEDS OUTLET PRESSURE, SHUTTLE VALVE (5) SHIFTS INTERCONNECTING PORTS "1" AND "2". WHEN MAIN VALVE (1) OUTLET PRESSURE EXCEEDS INLET PRESSURE, SHUTTLE VALVE (5) SHIFTS INTERCONNECTING PORTS "1" AND "3". THIS DIRECTS THE HIGHEST PRESSURE INTO THE PILOT SYSTEM.

VIII. OPTIONAL FEATURE OPERATING DATA:

SUFFIX A (FLOW CLEAN STRAINER)

A SELF-CLEANING STRAINER IS INSTALLED IN THE MAIN VALVE INLET AND OUTLET BODY BOSS WHICH PROTECTS THE PILOT SYSTEM FROM FOREIGN PARTICLES.

SUFFIX B (ISOLATION VALVES)

CK2 COCKS (B) ARE USED TO ISOLATE THE PILOT SYSTEM FROM MAIN LINE PRESSURE. THESE VALVES MUST BE OPEN DURING NORMAL OPERATION.

SUFFIX Y (Y-STRAINER)

A Y-PATTERN STRAINER IS INSTALLED IN THE PILOT SUPPLY LINE TO PROTECT THE PILOT SYSTEM FROM FOREIGN PARTICLES. THE STRAINER SCREEN MUST BE CLEANED PERIODICALLY.

XI. CHECK LIST FOR PROPER OPERATION:

- () SYSTEM VALVES OPEN UPSTREAM AND DOWNSTREAM.
- () AIR REMOVED FROM THE MAIN VALVE COVER AND PILOT SYSTEM AT ALL HIGH POINTS.
- () CK2 COCKS (B) OPEN (OPTIONAL FEATURE).
- () PERIODIC CLEANING OF STRAINER (Y) IS RECOMMENDED (OPTIONAL FEATURE).
- () CORRECT VOLTAGE TO SOLENOID CONTROL (3).
- () MANUAL OPERATOR OF SOLENOID CONTROL (3) DISENGAGED.

CAD REVISION RECORD - DO NOT REVISE MANUALLY

DATE

BY

DESCRIPTION

LTR

SEE SHEET 1.



NEWPORT BEACH, CALIFORNIA

CATALOG NO.
60-73/660-73

DRAWING NO.
20803

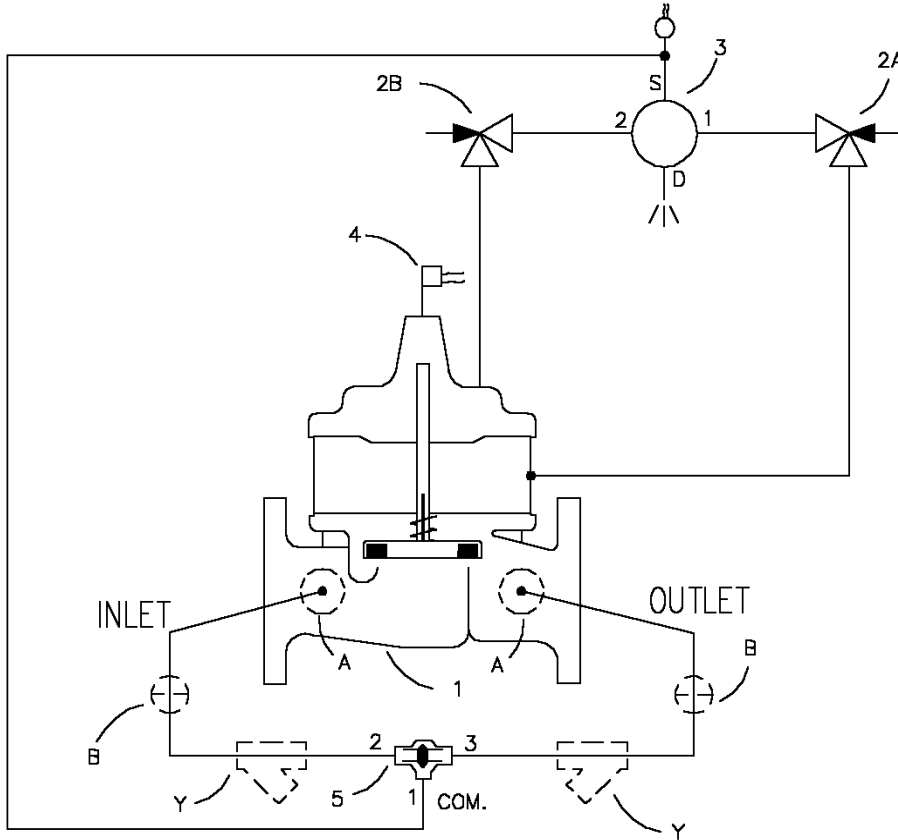
REV.
A

TYPE OF VALVE AND MAIN FEATURES

PUMP CONTROL VALVE

DESIGN		
DRAW	ARS	4-10-90
CHK'D	JH	4-22-90
APVD	CH	4-23-90

----- NOT FURNISHED BY CLA-VAL CO. ----- OPTIONAL FEATURES



ITEM NO.	BASIC COMPONENTS	QTY
1	100-30 POWERCHECK (60-73) MAIN VALVE	1
	100-31 POWERCHECK (660-73) MAIN VALVE	
2	CV FLOW CONTROL	2
3	CSM11-A2-2 SOLENOID CONTROL	1
4	X105LCW SWITCH ASSEMBLY	1
5	CVS-1 SHUTTLE VALVE	1

OPTIONAL FEATURE SUFFIX	ADDED TO CATALOG NUMBER	QTY
A	X46A FLOW CLEAN STRAINER	2
B	CK2 COCK (ISOLATION VALVE)	2
Y	X43 "Y" STRAINER	2

TLC 10-9-92

(660-73) TO ITEM 1 (ECO 13288)

CAD REVISION RECORD - DO NOT REVISE MANUALLY

LTR	DESCRIPTION	BY	DATE
-	RELEASED FOR PRODUCTION (ECO 36059)	ARS	4-10-90
A	REDRAWN ON CAD; CAT. NO. WAS 60-73; ADDED 100-31		

"THIS DRAWING IS THE PROPERTY OF CLA-VAL CO. AND SAME AND COPIES MADE THEREOF, IF ANY, SHALL BE RETURNED TO IT UPON DEMAND. DELIVERY AND DISCLOSURE HEREOF ARE SOLELY UPON CONDITION THAT THE SAME SHALL NOT BE USED, COPIED OR REPRODUCED, NOR SHALL THE SUBJECT HEREOF BE DISCLOSED IN ANY MANNER FOR ANY PURPOSE, EXCEPT AS HEREIN AUTHORIZED, WITHOUT PRIOR WRITTEN APPROVAL OF CLA-VAL CO. THIS DRAWING IS SUBMITTED CONFIDENTIALLY AND MAY NOT BE USED IN THE MANUFACTURE OF ANY MATERIAL OR PRODUCT OTHER THAN SUCH MATERIALS AND PRODUCTS FURNISHED TO CLA-VAL CO. WHETHER OR NOT THE EQUIPMENT OR INFORMATION SHOWN HEREON IS PATENTED OR OTHERWISE PROTECTED, FULL TITLE AND COPYRIGHTS, IF ANY, IN AND TO THIS DRAWING AND/OR INFORMATION DELIVERED OR SUBMITTED ARE FULLY RESERVED CLA-VAL CO."



CLA-VAL CO.

NEWPORT BEACH, CALIFORNIA

CATALOG NO.

60-73/660-73

DRAWING NO.

20803

REV.

A

TYPE OF VALVE AND MAIN FEATURES

PUMP CONTROL VALVE

DESIGN

DRAW ARS 4-10-90

CHK'D JH 4-22-90

APVD CH 4-23-90

OPERATING DATA

I. SOLENOID CONTROL FEATURE:

SOLENOID CONTROL (3) IS A DIRECT ACTING, 4-WAY SOLENOID CONTROL THAT CHANGES POSITION WHEN THE COIL IS DE-ENERGIZED OR ENERGIZED. THIS APPLIES OR RELIEVES PRESSURE IN THE COVER CHAMBER OR POWERROL CHAMBER OF THE MAIN VALVE, PROVIDING THE OPERATION SHOWN IN THE FOLLOWING TABLE:

SOLENOID CONTROL (3)		MAIN VALVE COVER CHAMBER	MAIN VALVE POWERROL CHAMBER	MAIN VALVE (1) POSITION
POSITION	PORTS CONNECTED			
ENERGIZED	1 & S 2 & D	PRESSURE RELIEVED	PRESSURE APPLIED	OPEN
DE-ENERGIZED	1 & D 2 & S	PRESSURE APPLIED	PRESSURE RELIEVED	CLOSED

II. SOLENOID MANUAL OPERATOR:

TO MANUALLY OPERATE THE SOLENOID, PRESS DOWN ON THE KNURLED KNOB LOCATED ON TOP OF THE COIL ENCLOSURE AND TURN CLOCKWISE 1/4 TURN. TO RETURN THE SOLENOID TO ELECTRICAL CONTROL, TURN THE KNURLED KNOB CLOCKWISE 1/4 TURN AND THE KNURLED KNOB WILL RETURN TO THE ORIGINAL POSITION.

III. CLOSING SPEED CONTROL:

FLOW CONTROL (2A) CONTROLS THE CLOSING SPEED OF THE MAIN VALVE. TURN THE ADJUSTING STEM CLOCKWISE TO MAKE THE MAIN VALVE CLOSE SLOWER.

IV. OPENING SPEED CONTROL:

FLOW CONTROL (2B) CONTROLS THE OPENING SPEED OF THE MAIN VALVE. TURN THE ADJUSTING STEM CLOCKWISE TO MAKE THE MAIN VALVE OPEN SLOWER.

V. SWITCH ASSEMBLY FEATURE:

SWITCH ASSEMBLY (4) IS ACTUATED BY A STEM EXTENSION ATTACHED TO THE MAIN VALVE STEM. THE SWITCH ASSEMBLY IS FACTORY ADJUSTED TO ACTUATE A SINGLE-POLE, DOUBLE-THROW SWITCH WHEN THE MAIN VALVE IS ALMOST CLOSED. WHEN THE MAIN VALVE STARTS TO OPEN, THE SPRING LOADED SWITCH ACTUATING LEVER IS RELEASED AND RETURNS THE SWITCH TO ITS NORMAL POSITION.

CAD REVISION RECORD - DO NOT REVISE MANUALLY


DATE

BY

DESCRIPTION

SEE SHEET 1.

LTR

 CLA-VAL CO. NEWPORT BEACH, CALIFORNIA	CATALOG NO.	DRAWING NO.	REV.
	60-73/660-73	20803	A
TYPE OF VALVE AND MAIN FEATURES		DESIGN	
PUMP CONTROL VALVE		DRAW	ARS 4-10-90
		CHK'D	JH 4-22-90
		APVD	CH 4-23-90

OPERATING DATA-CONTINUED

VI. CHECK VALVE FEATURE:

THE MAIN VALVE (1) HAS AN INTEGRAL CHECK FEATURE. WHEN OUTLET PRESSURE EXCEEDS INLET PRESSURE, THE MAIN VALVE CLOSSES PREVENTING REVERSE FLOW

VII. DUAL SUPPLY FEATURE:

WHEN MAIN VALVE (1) INLET PRESSURE EXCEEDS OUTLET PRESSURE, SHUTTLE VALVE (5) SHIFTS INTERCONNECTING PORTS "1" AND "2". WHEN MAIN VALVE (1) OUTLET PRESSURE EXCEEDS INLET PRESSURE, SHUTTLE VALVE (5) SHIFTS INTERCONNECTING PORTS "1" AND "3". THIS DIRECTS THE HIGHEST PRESSURE INTO THE PILOT SYSTEM.

VIII. OPTIONAL FEATURE OPERATING DATA:

SUFFIX A (FLOW CLEAN STRAINER)

A SELF-CLEANING STRAINER IS INSTALLED IN THE MAIN VALVE INLET AND OUTLET BODY BOSS WHICH PROTECTS THE PILOT SYSTEM FROM FOREIGN PARTICLES.

SUFFIX B (ISOLATION VALVES)

CK2 COCKS (B) ARE USED TO ISOLATE THE PILOT SYSTEM FROM MAIN LINE PRESSURE. THESE VALVES MUST BE OPEN DURING NORMAL OPERATION.

SUFFIX Y (Y-STRAINER)

A Y-PATTERN STRAINER IS INSTALLED IN THE PILOT SUPPLY LINE TO PROTECT THE PILOT SYSTEM FROM FOREIGN PARTICLES. THE STRAINER SCREEN MUST BE CLEANED PERIODICALLY.

XI. CHECK LIST FOR PROPER OPERATION:

- () SYSTEM VALVES OPEN UPSTREAM AND DOWNSTREAM.
- () AIR REMOVED FROM THE MAIN VALVE COVER AND PILOT SYSTEM AT ALL HIGH POINTS.
- () CK2 COCKS (B) OPEN (OPTIONAL FEATURE).
- () PERIODIC CLEANING OF STRAINER (Y) IS RECOMMENDED (OPTIONAL FEATURE).
- () CORRECT VOLTAGE TO SOLENOID CONTROL (3).
- () MANUAL OPERATOR OF SOLENOID CONTROL (3) DISENGAGED.

CAD REVISION RECORD - DO NOT REVISE MANUALLY

DATE

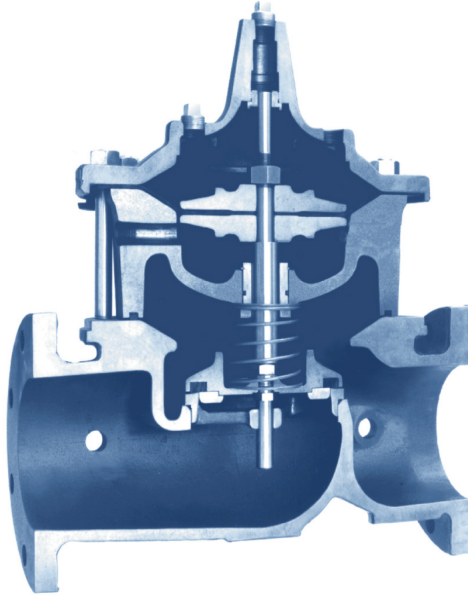
BY

DESCRIPTION

LTR

SEE SHEET 1.

Powercheck Valve



- Built-in Automatic Check Valve
- Globe or Angle Pattern
- Drip-Tight, Positive Seating
- Threaded or Flanged Ends
- Packless Construction

The Cla-Val Model 100-30 Powercheck Valve is a hydraulically operated diaphragm valve with a built-in check feature to prevent return flow. Available in globe or angle pattern, it consists of four major components: body, intermediate chamber, diaphragm assembly, and cover. The diaphragm assembly is the only moving part.

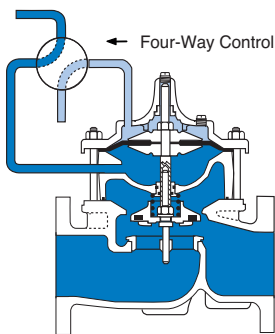
The diaphragm assembly is guided top, center and bottom by a precision machined stem and utilizes a non-wicking diaphragm of nylon fabric bonded with synthetic rubber. A synthetic rubber disc retained on three and one half sides forms a drip-tight seal with the renewable seat when pressure is applied above the diaphragm. When pressure above the diaphragm is relieved, the valve opens wide. The rate of closing or opening can be controlled by modulating flow into or out of the diaphragm chambers.

When a pressure reversal occurs, the valve will immediately close, preventing reverse flow thru the valve. The split stem will allow the disc retainer assembly to check closed regardless of the position of the diaphragm.



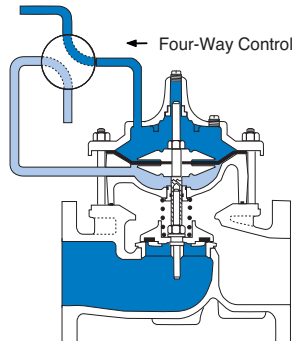
see page 2 for approvals

Principle of Operation



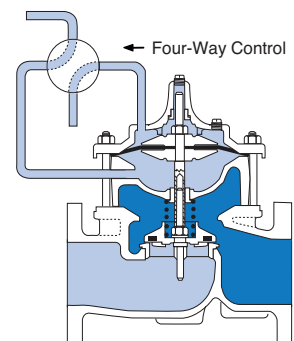
Full Open Operation

When operating pressure below the diaphragm is greater than the pressure in the cover chamber, the valve is held open, allowing full flow.



Tight Closing Operation

When pressure below the diaphragm is relieved and operating pressure is applied to the cover chamber, the valve closes drip-tight.



Check Action

When a static condition or pressure reversal occurs, the split stem design allows the valve to instantly check closed. Return flow is prevented regardless of the diaphragm's position.

Cla-Val 100-30 Powercheck Main Valve Specifications

Available Sizes

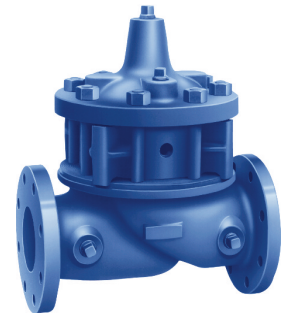
Pattern	Threaded	Flanged
Globe (inches)	2½" - 3"	2½" - 8"
Globe (mm)	65 - 80 mm	65 - 200 mm
Angle (inches)	2½" - 3"	2½" - 8"
Angle (mm)	65 - 80 mm	65 - 200 mm

Operating Temp. Range

Fluids
-40° to 180° F -40° to 82° C



2 1/2" Globe, Threaded



4" Angle, Globe



4" Angle, Flanged

Pressure Ratings (Recommended Maximum Pressure - psi)

Valve Body & Cover		Pressure Class		
		Flanged		
Grade	Material	ANSI Standards*	150 Class	300 Class
ASTM A536	Ductile Iron	B16.42	250	400
ASTM A216-WCB	Cast Steel	B16.5	285	400
UNS 87850	Bronze	B16.24	225	400

Note: * ANSI standards are for flange dimensions only.
Flanged valves are available faced but not drilled.
Valves for higher pressure are available; consult factory for details

Materials

Component	Standard Material Combinations		
Body & Cover	Ductile Iron	Cast Steel	Bronze
Available Sizes (inches)	2½" - 8"	2½" - 8"	2½" - 8"
Available Sizes (mm)	65 - 200 mm	65 - 200 mm	65 - 200 mm
Disc Retainer & Diaphragm Washer	Cast Iron	Cast Steel	Bronze
Trim: Disc Guide, Seat & Cover Bearing	Bronze is Standard Stainless Steel is optional		
Disc	Buna-N® Rubber		
Diaphragm	Nylon Reinforced Buna-N® Rubber		
Stem, Nut & Spring	Stainless Steel		

For material options not listed, consult factory.
Cla-Val manufactures valves in more than 50 different alloys.

Options

Epoxy Coating - suffix KC

An FDA approved fusion bonded epoxy coating for use with cast iron, ductile iron or steel valves. This coating is resistant to various water conditions, certain acids, chemicals, solvents and alkalies. Epoxy coatings are applied in accordance with AWWA coating specifications C116-03. Do not use with temperatures above 175°F/80° C.

Viton® Rubber Parts - suffix KB

Optional diaphragm, disc and o-ring fabricated with Viton® synthetic rubber. Viton® is well suited for use with mineral acids, salt solutions, chlorinated hydrocarbons, and petroleum oils; and is primarily used in high temperature applications up to 250° F/120°C. Do not use with epoxy coating above 175°F/80° C.

Heavy Spring - suffix KH

The heavy spring option is used in applications where there is low differential pressure across the valve, and the additional spring force is needed to help the valve close. The option is best suited for valves used in on-off (non-modulating) service.

For assistance in selecting appropriate valve options or valves manufactured with special design requirements, please contact our Regional Sales Office or Factory.

Approvals



NSF/ANSI 372: National Lead Free Mandate "Reduction of Lead in Drinking Water Act"



NSF International recognizes Cla-Val as complying with NSF/ANSI 61 and all applicable requirements.

Cla-Val 100-30 Powercheck Main Valve Functional Data

Valve Size		Inches	2½	3	4	6	8
		mm.	65	80	100	150	200
C _V Factor	Globe Pattern	Gal./Min. (gpm.)	85	115	200	440	770
		Litres/Sec. (l/s.)	20	28	48	106	185
	Angle Pattern	Gal./Min. (gpm.)	101	139	240	541	990
		Litres/Sec. (l/s.)	24	33	58	130	238
Equivalent Length of Pipe	Globe Pattern	Feet (ft.)	53	85	116	211	291
		Meters (m.)	16	26	35	64	89
	Angle Pattern	Feet (ft.)	37	58	80	139	176
		Meters (m.)	12	18	25	43	54
K Factor	Globe Pattern	4.6	6.0	5.9	6.2	6.1	
	Angle Pattern	3.3	4.1	4.1	4.1	3.7	
Liquid Displaced from Cover Chamber When Valve Opens	Fl. Oz	—	—	—	—	—	
	U.S. Gal.	.04	.08	.17	.53	1.26	
	ml	163	303	643	—	—	
	Litres	—	—	—	2.0	4.8	

*Estimated

C_V Factor

Formulas for computing C_V Factor, Flow (Q) and Pressure Drop (ΔP):

$$C_V = \frac{Q}{\sqrt{\Delta P}} \quad Q = C_V \sqrt{\Delta P} \quad \Delta P = \left(\frac{Q}{C_V} \right)^2$$

K Factor (Resistance Coefficient)

The Value of K is calculated from the formula: $K = \frac{894d^4}{C_V^2}$
(U.S. system units)

Equivalent Length of Pipe

Equivalent lengths of pipe (L) are determined from the formula: $L = \frac{Kd}{12f}$
(U.S. system units)

Fluid Velocity

Fluid velocity can be calculated from the following formula: $V = \frac{.4085 Q}{d^2}$
(U.S. system units)

Where:

C_V = U.S. (gpm) @ 1 psi differential at 60° F water
or

= (l/s) @ 1 bar (14.5 PSIG) differential
at 15° C water

d = inside pipe diameter of Schedule 40 Steel Pipe (inches)

f = friction factor for clean, new Schedule 40 pipe
(dimensionless) (from Cameron Hydraulic Data,
18th Edition, P 3-119)

K = Resistance Coefficient (calculated)

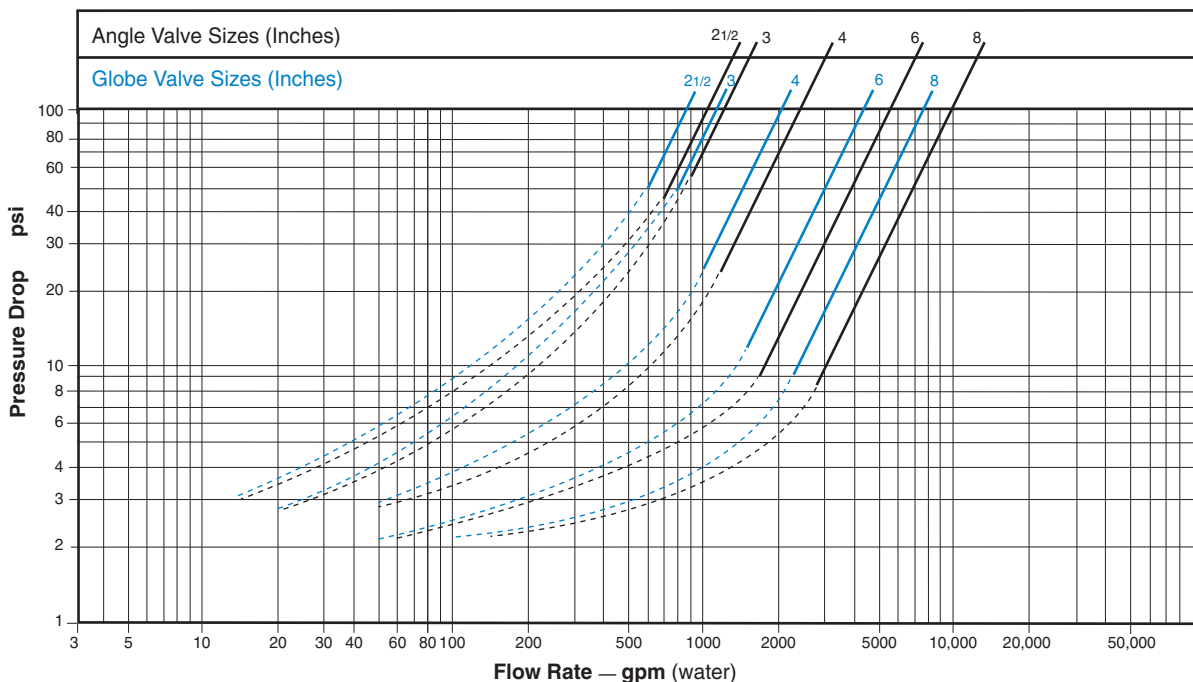
L = Equivalent Length of Pipe (feet)

Q = Flow Rate in U.S. (gpm) or (l/s)

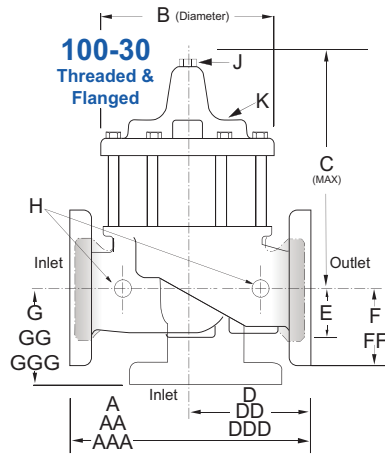
V = Fluid Velocity (feet per second) or (meters per second)

ΔP = Pressure Drop in (psi) or (bar)

Model 100-30 Flow Chart (Based on normal flow through a wide open valve)



Cla-Val 100-30 Powercheck Main Valve Dimensions



Valve Size (Inches)	2 1/2	3	4	6	8
A Threaded	11.00	12.50	—	—	—
AA 150 ANSI	11.00	12.00	15.00	20.00	25.38
AAA 300 ANSI	11.62	13.25	15.62	21.00	26.38
B Diameter	8.00	9.12	11.50	15.75	20.00
C Maximum	10.31	11.19	14.25	18.44	21.81
D Threaded	5.50	6.25	—	—	—
DD 150 ANSI	5.50	6.00	7.50	10.00	12.69
DDD 300 ANSI	5.81	6.63	7.81	10.50	13.19
E	1.69	2.06	3.19	4.31	5.31
F 150 ANSI	3.50	3.75	4.50	5.50	6.75
FF 300 ANSI	3.75	4.13	5.00	6.25	7.50
G Threaded	4.00	4.50	—	—	—
GG 150 ANSI	4.00	4.00	5.00	6.00	8.00
GGG 300 ANSI	4.31	4.38	5.31	6.50	8.50
H NPT Body Tapping	0.50	0.50	0.75	0.75	1.00
J NPT Cover Center Plug	0.50	0.50	0.75	0.75	1.00
K NPT Cover Tapping	0.50	0.50	0.75	0.75	1.00
Stem Travel	0.70	0.80	1.10	1.70	2.30

Valve Size (Inches)	2 1/2	3	4	6	8
A Threaded	11.00	12.50	—	—	—
AA 150 ANSI	11.00	12.00	15.00	20.00	25.38
AAA 300 ANSI	11.62	13.25	15.62	21.00	26.38
B Diameter	8.00	9.12	11.50	15.75	20.00
C Maximum	10.31	11.19	14.25	18.44	21.81
D Threaded	5.50	6.25	—	—	—
DD 150 ANSI	5.50	6.00	7.50	10.00	12.69
DDD 300 ANSI	5.81	6.63	7.81	10.50	13.19
E	1.69	2.06	3.19	4.31	5.31
F 150 ANSI	3.50	3.75	4.50	5.50	6.75
FF 300 ANSI	3.75	4.13	5.00	6.25	7.50
G Threaded	4.00	4.50	—	—	—
GG 150 ANSI	4.00	4.00	5.00	6.00	8.00
GGG 300 ANSI	4.31	4.38	5.31	6.50	8.50
H NPT Body Tapping	0.50	0.50	0.75	0.75	1.00
J NPT Cover Center Plug	0.50	0.50	0.75	0.75	1.00
K NPT Cover Tapping	0.50	0.50	0.75	0.75	1.00
Stem Travel	0.70	0.80	1.10	1.70	2.30

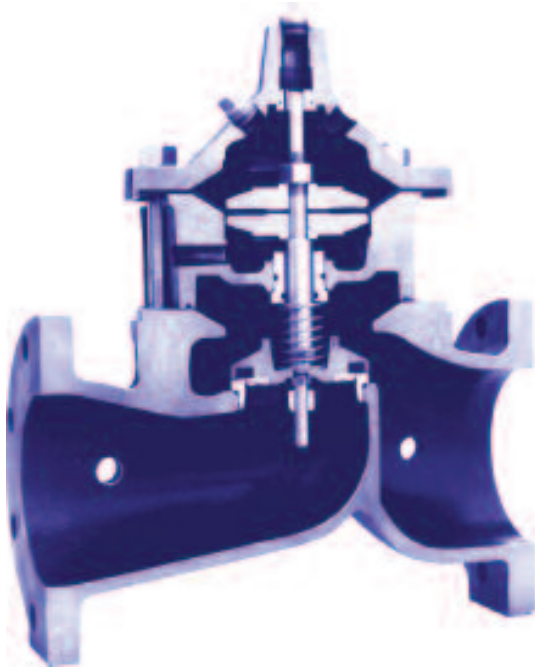
Cla-Val Control Valves operate with maximum efficiency when mounted in horizontal piping with the main valve cover UP, however, other positions are acceptable. Due to component size and weight of 8 inch and larger valves, installation with cover UP is advisable. We recommend isolation valves be installed on inlet and outlet for maintenance. Adequate space above and around the valve for service personnel should be considered essential. A regular maintenance program should be established based on the specific application data. However, we recommend a thorough inspection be done at least once a year. Consult factory for specific recommendations.



— MODEL — **100-31**

600 Series

Powercheck Valve



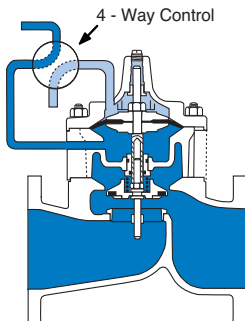
- **Built-in Automatic Check Valve**
- **Reduced Cavitation Design**
- **Service Without Removal From Line**
- **Packless Construction**
- **Drip-Tight, Positive Seating**

The Cla-Val Model 100-31 Powercheck Valve is a hydraulically operated diaphragm valve with a built-in check feature to prevent return flow. Available in globe or angle pattern, it consists of four major components: the body, intermediate chamber, diaphragm assembly and cover. The diaphragm assembly is the only moving part.

The diaphragm assembly which is guided top, center and bottom by a precision machined stem utilizes a non-wicking diaphragm of nylon fabric bonded with synthetic rubber. A synthetic rubber disc retained on three and one-half sides forms a drip-tight seal with the renewable seat when pressure is applied above the diaphragm. When pressure above the diaphragm is relieved, the valve opens wide. The rate of closing or opening can be controlled by modulating the flow into or out of the cover chamber. When a pressure reversal occurs the valve will immediately close, preventing reverse flow through the valve. The split stem will allow the disc retainer assembly to check closed **regardless of the position of the diaphragm.**

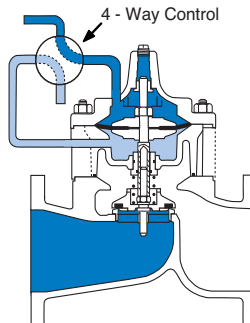
The Model 100-31 Powercheck Valve is recommended on system applications where a positive check feature is necessary to prevent reverse flow.

Principle of Operation



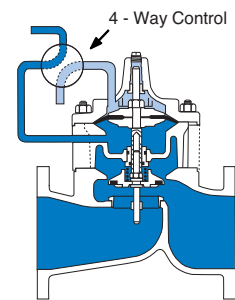
Full Open Operation

When operating pressure below the diaphragm is greater than the pressure in the cover chamber, the valve is held open, allowing full flow.



Tight Closing Operation

When pressure below the diaphragm is relieved and operating pressure is applied to the cover chamber, the valve closes drip-tight.



Check Action

When a static condition or pressure reversal occurs, the split stem design allows the valve to instantly check closed. Return flow is prevented regardless of the diaphragm's position.

Note: For optimum operation of built-in check feature, installation with stem vertically up is recommended.

Cla-Val 100-31 Powercheck Main Valve Specifications

Available Sizes

Pattern	Flanged
Globe (inches)	4" - 6" - 8" - 10"
Globe (mm)	100 - 250 mm
Angle (inches)	4", 6", 8"
Angle (mm)	100, 150 and 200 mm

Operating Temp. Range

Fluids
-40° to 180° F -40° to 82° C

Pressure Ratings (Recommended Maximum Pressure - psi)

Valve Body & Cover		Pressure Class		
		Flanged		
Grade	Material	ANSI Standards*	150 Class	300 Class
ASTM A536	Ductile Iron	B16.42	250	400
ASTM A216-WCB	Cast Steel	B16.5	285	400
UNS 87850	Bronze	B16.24	225	400

Note: * ANSI standards are for flange dimensions only.
Flanged valves are available faced but not drilled.
Valves for higher pressure are available; consult factory for details

Materials

Component	Standard Material Combinations		
Body & Cover	Ductile Iron	Cast Steel	Bronze
Available Sizes (inches)	4" - 10"	4" - 10"	4" - 10"
Available Sizes (mm)	100 - 250 mm	100 - 250 mm	100 - 250 mm
Disc Retainer & Diaphragm Washer	Cast Iron	Cast Steel	Bronze
Trim: Disc Guide, Seat & Cover Bearing	Bronze is Standard Stainless Steel is optional		
Disc	Buna-N® Rubber		
Diaphragm	Nylon Reinforced Buna-N® Rubber		
Stem, Nut & Spring	Stainless Steel		

For material options not listed, consult factory.
Cla-Val manufactures valves in more than 50 different alloys.

Options

Epoxy Coating - suffix KC

An FDA approved fusion bonded epoxy coating for use with cast iron, ductile iron or steel valves. This coating is resistant to various water conditions, certain acids, chemicals, solvents and alkalies. Epoxy coatings are applied in accordance with AWWA coating specifications C116-03. Do not use with temperatures above 175°F/ 80° C.

Viton® Rubber Parts - suffix KB

Optional diaphragm, disc and o-ring fabricated with Viton® synthetic rubber. Viton® is well suited for use with mineral acids, salt solutions, chlorinated hydrocarbons, and petroleum oils; and is primarily used in high temperature applications up to 250° F/120°C. Do not use with epoxy coating above 175°F/80° C.

For assistance in selecting appropriate valve options or valves manufactured with special design requirements, please contact our Regional Sales Office or Factory.



4" Globe, Flanged



6" Globe, Flanged



6" Angle, Flanged

Approvals



NSF/ANSI 372: National Lead Free Mandate "Reduction of Lead in Drinking Water Act"



NSF International recognizes Cla-Val as complying with NSF/ANSI 61 and all applicable requirements.

Cla-Val 100-31 Powercheck Main Valve Functional Data

Valve Size		Inches	4	6	8	10
		mm.	100	150	200	250
C_V Factor	Globe Pattern	Gal./Min. (gpm.)	136	229	480	930
		Litres/Sec. (l/s.)	32.5	55	115	223
	Angle Pattern	Gal./Min. (gpm.)	135	233	545	—
		Litres/Sec. (l/s.)	32	56	132	—
Equivalent Length of Pipe	Globe Pattern	Feet (ft.)	251	777	748	621
		Meters (m.)	76.4	237.1	228.1	189.5
	Angle Pattern	Feet (ft.)	254	751	580	—
		Meters (m.)	77.6	229	176.9	—
K Factor	Globe Pattern	12.7	23.1	15.7	10.4	
	Angle Pattern	12.9	22.3	12.2	—	
Liquid Displaced from Cover Chamber When Valve Opens	Fl. Oz	—	—	—	—	
	U.S. Gal.	.08	.17	.53	1.26	
	ml	—	—	—	—	
	Litres	.30	.64	2.0	4.8	

Application Note

The distinctive smooth flow path of the 600 series Powercheck valve is engineered to overcome cavitation problems. Its unique design is highly resistant to cavitation damage under severe pressure drops. Tests have proven it to be effective in preventing valve body and seat pitting.

We also offer a free computerized cavitation analysis. This analysis provides cavitation damage information for actual conditions provided by the customer. If there is an application where the potential for cavitation exists, the 600 series Powercheck valve provides substantial resistance to this problem.

C_V Factor

Formulas for computing C_V Factor, Flow (Q) and Pressure Drop (ΔP):

$$C_V = \frac{Q}{\sqrt{\Delta P}} \quad Q = C_V \sqrt{\Delta P} \quad \Delta P = \left(\frac{Q}{C_V} \right)^2$$

K Factor (Resistance Coefficient)

The Value of K is calculated from the formula: $K = \frac{894d^4}{C_V^2}$
(U.S. system units)

Equivalent Length of Pipe

Equivalent lengths of pipe (L) are determined from the formula: $L = \frac{Kd}{12f}$
(U.S. system units)

Fluid Velocity

Fluid velocity can be calculated from the following formula: $V = \frac{.4085 Q}{d^2}$
(U.S. system units)

Where:

C_V = U.S. (gpm) @ 1 psi differential at 60° F water
or

= (l/s) @ 1 bar (14.5 PSIG) differential
at 15° C water

d = inside pipe diameter of Schedule 40 Steel Pipe (inches)

f = friction factor for clean, new Schedule 40 pipe
(dimensionless) (from Cameron Hydraulic Data,
18th Edition, P 3-119)

K = Resistance Coefficient (calculated)

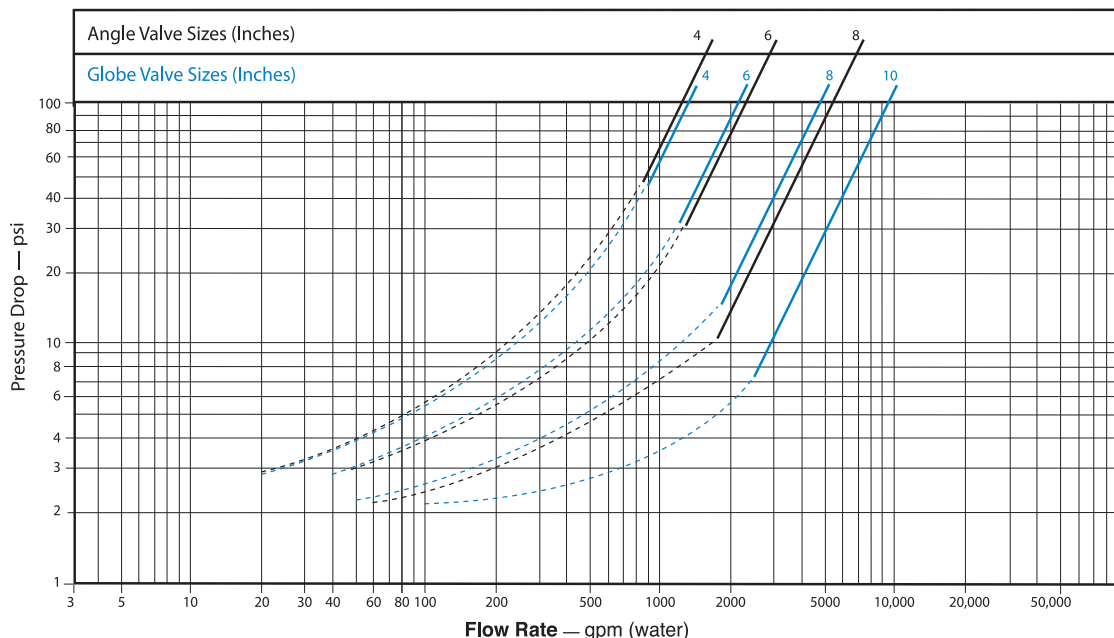
L = Equivalent Length of Pipe (feet)

Q = Flow Rate in U.S. (gpm) or (l/s)

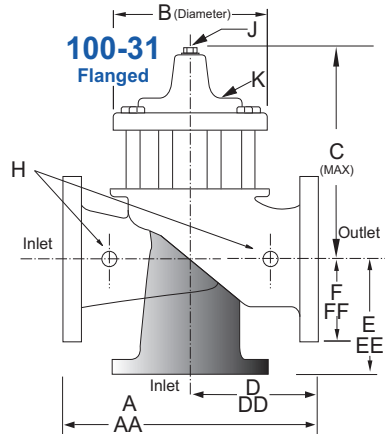
V = Fluid Velocity (feet per second) or (meters per second)

ΔP = Pressure Drop in (psi) or (bar)

Model 100-31 Flow Chart (Based on normal flow through a wide open valve)



Cla-Val 100-31 Powercheck Main Valve Dimensions



Valve Size (Inches)	4	6	8	10
A 150 ANSI	13.88	17.75	21.38	26.00
AA 300 ANSI	14.50	18.62	22.38	27.38
B Diameter	9.12	11.50	15.75	20.00
C Maximum	8.62	15.25	20.25	23.75
D 150 ANSI	6.94	8.88	10.69	—
DD 300 ANSI	7.25	9.38	11.19	—
E 150 ANSI	5.50	6.75	7.25	—
EE 300 ANSI	5.81	7.25	7.75	—
F 150 ANSI	4.50	5.50	6.75	8.00
FF 300 ANSI	5.00	6.25	7.50	8.75
H NPT Body Tapping	0.50	0.75	0.75	1.00
J NPT Cover Center Plug	0.50	0.75	0.75	1.00
K NPT Cover Tapping	0.50	0.75	1.00	1.00
Stem Travel	0.60	0.80	1.70	2.30
Approx. Ship Weight (lbs)	135	230	480	785
Approx. X Pilot System	19.00	21.00	31.00	36.00
Approx. Y Pilot System	10.00	11.00	18.00	20.00
Approx. Z Pilot System	10.00	11.00	18.00	20.00

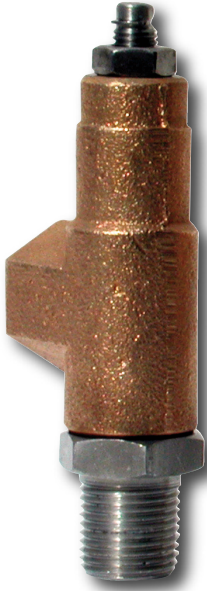
Valve Size (Inches)	4	6	8	10
A 150 ANSI	13.88	17.75	21.38	26.00
AA 300 ANSI	14.50	18.62	22.38	27.38
B Diameter	9.12	11.50	15.75	20.00
C Maximum	8.62	15.25	20.25	23.75
D 150 ANSI	6.94	8.88	10.69	—
DD 300 ANSI	7.25	9.38	11.19	—
E 150 ANSI	5.50	6.75	7.25	—
EE 300 ANSI	5.81	7.25	7.75	—
F 150 ANSI	4.50	5.50	6.75	8.00
FF 300 ANSI	5.00	6.25	7.50	8.75
H NPT Body Tapping	0.50	0.75	0.75	1.00
J NPT Cover Center Plug	0.50	0.75	0.75	1.00
K NPT Cover Tapping	0.50	0.75	1.00	1.00
Stem Travel	0.60	0.80	1.70	2.30
Approx. Ship Weight (lbs)	135	230	480	785
Approx. X Pilot System	19.00	21.00	31.00	36.00
Approx. Y Pilot System	10.00	11.00	18.00	20.00
Approx. Z Pilot System	10.00	11.00	18.00	20.00

Service and Installation

Cla-Val Control Valves operate with maximum efficiency when mounted in horizontal piping with the main valve cover UP, however, other positions are acceptable. Due to component size and weight of 10 inch and larger valves, installation with cover UP is advisable. We recommend isolation valves be installed on inlet and outlet for maintenance. Adequate space above and around the valve for service personnel should be considered essential. A regular maintenance program should be established based on the specific application data. However, we recommend a thorough inspection be done at least once a year. Consult factory for specific recommendations.



—MODEL— **CV**
Flow Control



DESCRIPTION

The CV Control is an adjustable restriction which acts as a needle valve when flow is in the direction of the stem. When flow is in the reverse direction, the port area opens fully to allow unrestricted flow. When installed in the control system of a Cla-Val automatic valve, it can be arranged to function as either an opening or closing speed control.

OPERATION

The CV Flow Control permits full flow from port A to B, and restricted flow in the reverse direction. Flow from port A to B lifts the disc from seat, permitting full flow. Flow in the reverse direction seats the disc, causing fluid to pass through the clearance between the stem and the disc. This clearance can be increased, thereby increasing the restricted flow, by screwing the stem out, or counter-clockwise. Turning the stem in, or clockwise reduces the clearance between the stem and the disc, thereby reducing the restricted flow.'

INSTALLATION

Install the CV Flow Control as shown in the valve schematic. All connections must be tight to prevent leakage.

DISASSEMBLY

Follow the sequence of the item numbers assigned to the parts in the cross sectional illustration for recommended order of disassembly.

Use a scriber, or similar sharp-pointed tool to remove O-ring from the stem.

INSPECTION

Inspect all threads for damage or evidence of cross-threading. Check mating surface of seat and valve disc for excessive scoring or embedded foreign particles. Check spring for visible distortion, cracks and breaks. Inspect all parts for damage, corrosion and cleanliness.

CLEANING

After disassembly and inspection, cleaning of the parts can begin. Water service usually will produce mineral or lime deposits on metal parts in contact with water. These deposits can be cleaned by dipping the parts in a 5-percent muriatic acid solution just long enough for deposits to dissolve. This will remove most of the common types of deposits. **Caution: use extreme care when handling acid.** If the deposit is not removed by acid, then a fine grit (400) wet or dry sandpaper can be used with water. Rinse parts in water before handling. An appropriate solvent can clean parts used in fueling service. Dry with compressed air or a clean, lint-free cloth. Protect from damage and dust until reassembled.

REPAIR AND REPLACEMENT

Minor nicks and scratches may be polished out using a fine grade of emery or crocus cloth; replace parts if scratches cannot be removed.

Replace O-ring packing and gasket each time CV Flow Control is overhauled.

Replace all parts which are defective. Replace any parts which create the slightest doubt that they will not afford completely satisfactory operation. Use Inspection steps as a guide.

REASSEMBLY

Reassembly is the reverse of disassembly; no special tools are required.

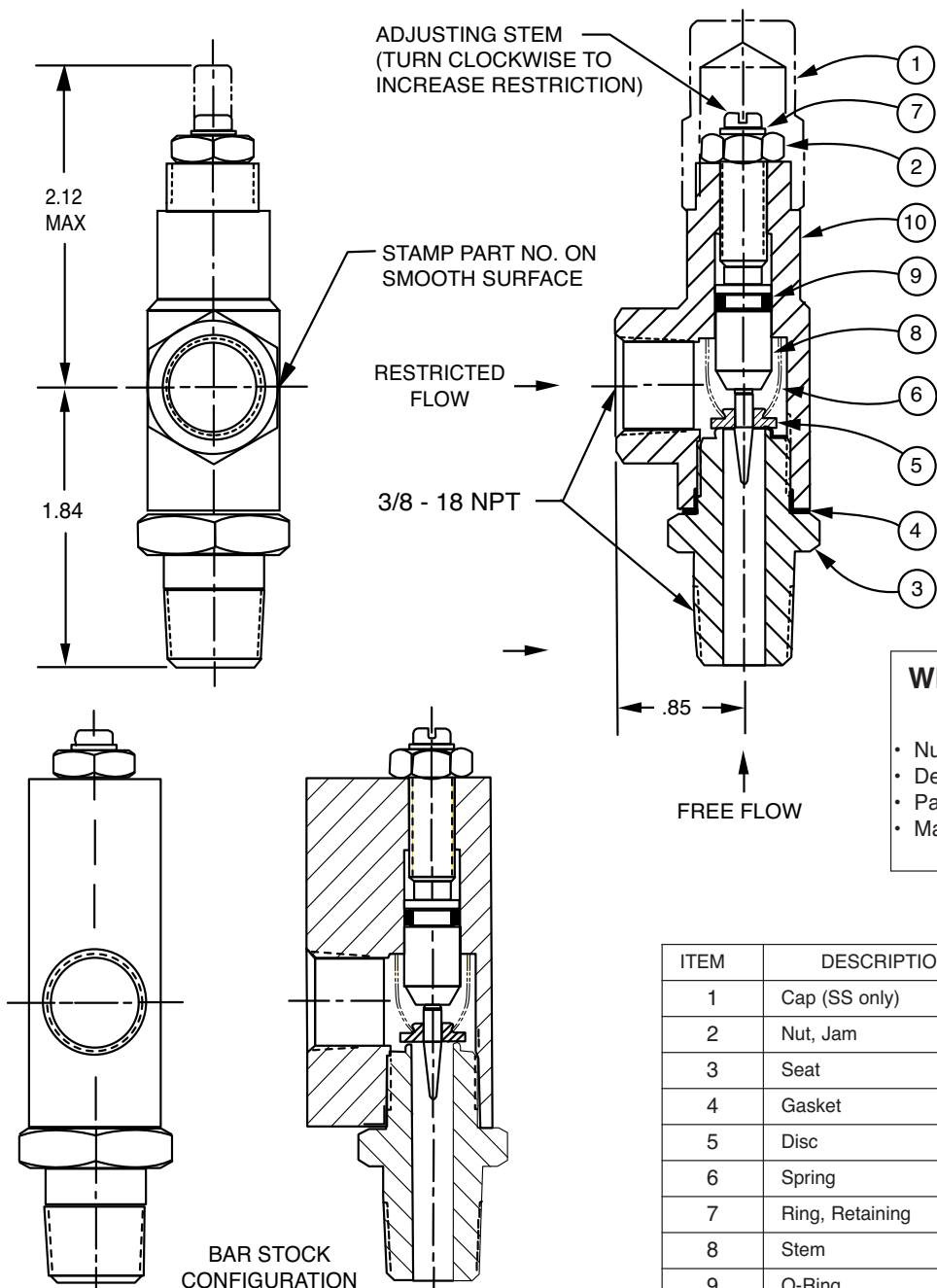
TEST PROCEDURE

No testing of the flow Control is required prior to reassembly to the pilot control system on Cla-Val Main Valve.



CV

3/8" Flow Control



When ordering parts, please specify:

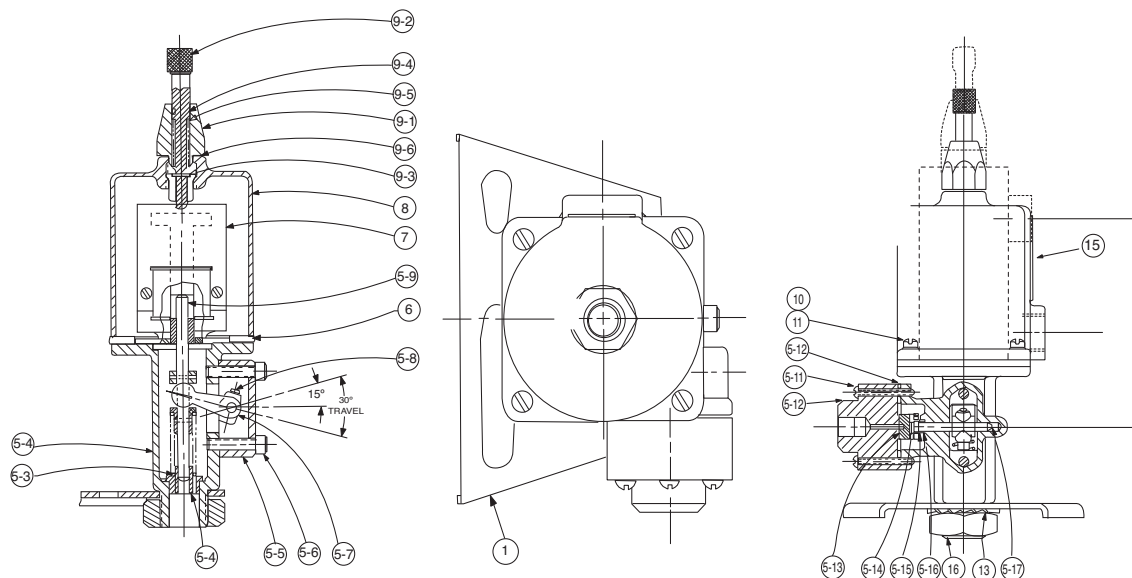
- Number Stamped on Side
- Description (CV Flow Control)
- Part Description
- Material

ITEM	DESCRIPTION	QTY
1	Cap (SS only)	1
2	Nut, Jam	1
3	Seat	1
4	Gasket	1
5	Disc	1
6	Spring	1
7	Ring, Retaining	1
8	Stem	1
9	O-Ring	1
10	Housing	1



CSM-11

Solenoid Control



Item	Description	Item	Description
1	Mounting Bracket	7	Solenoid Assy. (See table other side)
5	Mechanical Parts Assy.	8	Cover
5-2	Housing	9	Manual Operator Assy.
5-3	Spring	9-1	Housing, Manual Operator
5-4	Guide	9-2	Plunger
5-5	Side Housing	9-3	Pin, groove-3/8"
5-6	Cap Screw 1/4"	9-4	"O"- Ring
5-7	Lever Arm	9-5	Spring, Manual Operator
5-8	Lever Screw	9-6	Gasket, Manual Operator
5-9	Stem Assy. (Solenoid)	10	Machine Screw Fil. Hd. 10/32 x 5/8 (4 reqd)
5-10	Distributor Gasket		Lockwasher
5-11	Machine Screw, RDH (6/32 x 1 1/4 - 6 reqd.)	11	Machine Screw Fil. Hd.
5-12	Distributor (CSM11-A2-2)	12	
5-13	Disc Assy.		Lockwasher
5-14	Spring (Disc Assy.)	13	Lockwasher
5-15	Thrust Washer	14	Coil only: (See table other side)
5-16	"O"- Ring	15	Nameplate
5-17	Stem Assy. (Pilot)	16	Hex Nut, Jam 1-14 UNS
6	Spacer Gasket		

When ordering parts, please specify:

- All Nameplate Data
- Part Description
- Item Number
- Part Material

Recommended Spare Pilot valve sub-assembly (Part of item 5) for model CSM11-A2-2, Standard materials, P/N 18053K

•Recommend Factory repair or replace pilot valve when worn.

CSMII CONTROL ASSEMBLY						SOLENOID ASSEMBLY & COILS	
VOLTAGE	CSMII-A2-2		CSMII-N2-4	CSMII-CZ2-4	CSMII-CQ2-4	SOLENOID PART No.	COIL PART No.
	STANDARD	SEA-WATER SERVICE	STANDARD	STANDARD	STANDARD		
	STOCK No.	STOCK No.	STOCK No.	STOCK No.	STOCK No.		
24/60 Hz	10023-01J	—	10031-01B	10039-01E	10038-01G	87573-01A	73342J
115/60 Hz	10023-02G	10046-01K	10031-02K	10039-02C	10038-02E	—	—
120/60 Hz	10023-02G	10046-01K	10031-02K	10039-02C	10038-02E	87573-02J	73343G
208/60 Hz	10023-03E	—	10031-03H	10039-03A	10038-03C	87573-03G	73344E
230/60 Hz	10023-04C	—	10031-04F	10039-04J	—	—	—
240/60 Hz	10023-04C	—	10031-04F	10039-04J	10038-04A	87573-04E	73345B
440/60 Hz	10023-09B	—	10031-09E	10039-09H	10038-09K	87573-09D	82542C
460/60 Hz	10023-05K	—	10031-05C	10039-05F	—	—	—
480/60 Hz	10023-05K	—	10031-05C	10039-05F	10038-05H	87573-05B	73346K
110/50 Hz	10023-06H	—	10031-06A	10039-06D	10038-06K	87573-06K	73347H
220/50 Hz	10023-07F	—	10031-07J	10039-07B	10038-07D	87573-07H	73348F
240/50 Hz	10023-08D	—	10031-08G	10039-08K	10038-08B	87573-08F	73349D

The solenoid is rated for continuous duty. It can be held energized continuously in normal ambient temperatures without overheating. Solenoid overheating is often due to over voltage conditions. AC voltage solenoids should not be used with less than 85% of rated voltage.

Solenoid Protection

If a solenoid is mechanically blocked in the energized position the coil soon burns out. Protect it with a "slow blow" fuse with an ampere rating of 1.5 times the solenoid "holding" current shown. Solenoid ratings are based on 115 VAC where holding current is 0.6 amp and solenoid VA rating is 69 volt amperes. Current for other voltages is inversely proportional to voltage.

Examples: A.) Given 115 VAC supply to the solenoid, then 1.5 times .6 = .9 Amp. Select one amp slow blow fuse. B.) Given 24 VAC supply to the solenoid, then 1.5 times 2.88 = 4.32 Amp. Select 4.5 Amp slow blow fuse. C.) Given 240 VAC supply to the solenoid, then 1.5 times 0.288 = 0.432 Amp. Select 0.5 Amp slow blow fuse.

Volts	Amperes		Coil Resistance
	Holding	Inrush	Ohms
(AC 60 Hz)			
24	2.88	25.4	0.5
120	.575	5.1	14.1
208	.330	2.93	40
240	.288	2.54	58
440	.156	1.38	174
480	.143	1.27	233
Volts	Amperes		Coil Resistance
(AC 50 Hz)	Holding	Inrush	Ohms
110	.48	4.6	15.7
220	.24	2.3	66
240	.22	2.1	88



— MODELS — **X105L**
X105L2

Limit Switch Assemblies

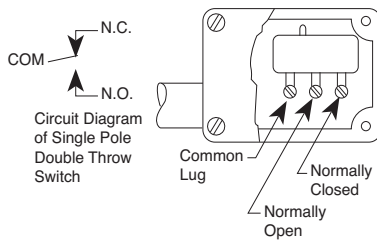


- **UL Listed Switches**
- **Positive Action**
- **Rugged and Dependable**
- **Weather Proof or Explosion Proof**
- **Easy To Adjust**

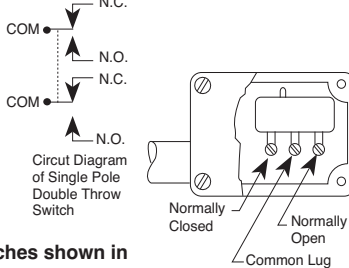
The Cla-Val Model X105L/X105L2 Limit Switch Assembly is a rugged, dependable and positive acting switch assembly actuated by the opening or closing of a Cla-Val control valve on which it is mounted. The single pole, double throw micro switch can be connected either to open or to close an electrical circuit when actuated. By loosening the allen screw on the actuating collar and raising or lowering the collar on the stem, the X105L is easily adjusted to signal that the valve has fully reached the desired position (open or closed).

Installation

Single Pole Double Throw Switch

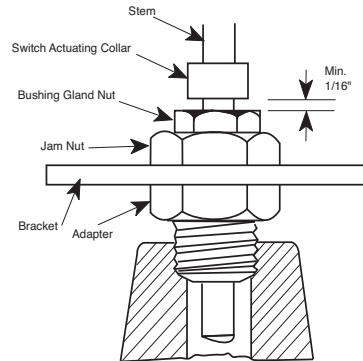


Double Pole Double Throw Switch



Switches shown in unactuated position.

1. Remove plug in top of valve cover.
2. Screw actuating stem into main valve stem.
3. Slip adapter down over stem and screw into place on valve cover.
4. Attach micro switch housing and bracket to adapter with jam nut.
5. Bring electrical supply circuit into unit through the 1/2" tapping in micro switch housing.
6. Adjust switch collars. (Set collar to trip switch after valve is positioned fully open or fully closed)



Actuating Collar Adjustment Minimum Setting

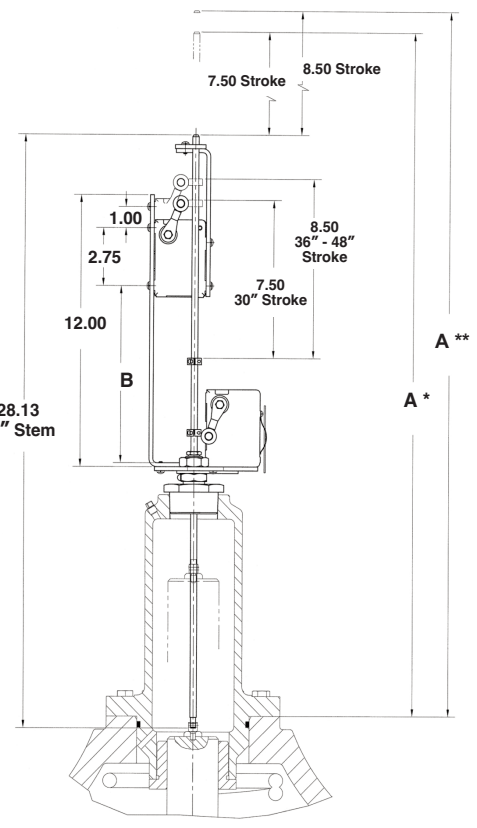
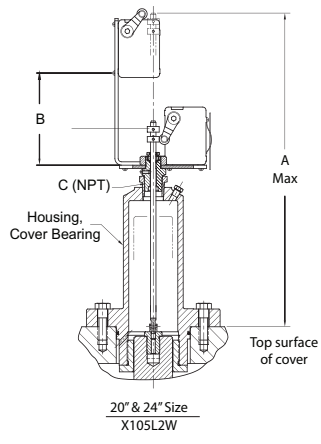
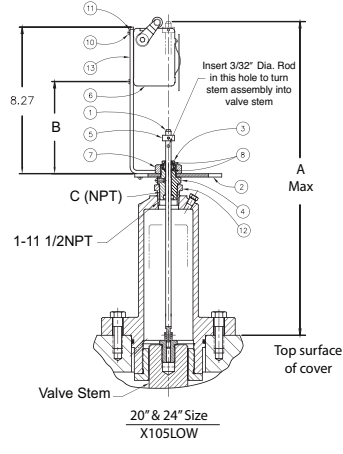
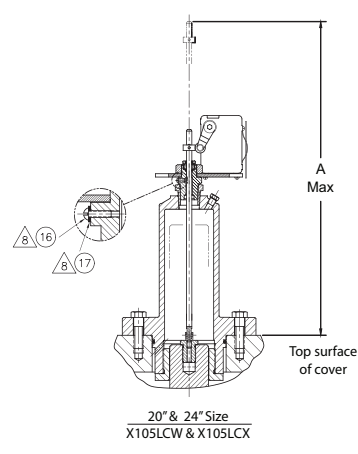
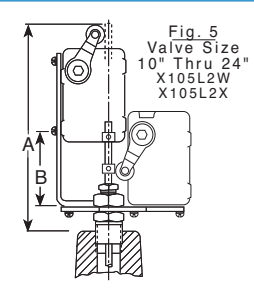
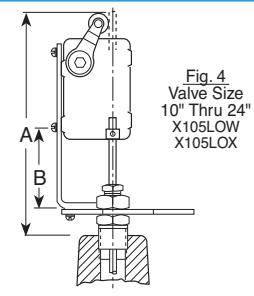
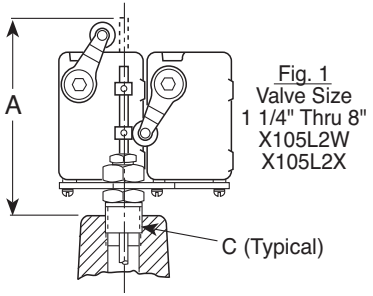
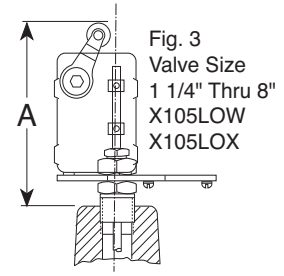
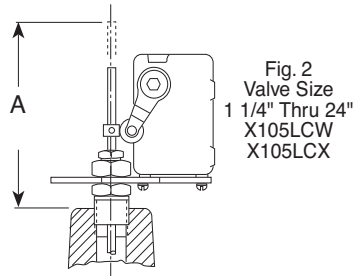
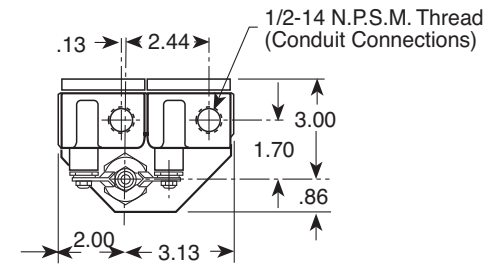
When adjusting actuating collar for proper switch action, a clearance of at least 1/16" (1/8" for 48" valve) must be provided between the collar and the bushing gland nut when valve is in the fully closed position.

Purchase Specifications

The assembly shall be bracket-mounted to exterior of an adapter attached to the center of the main valve cover. A stainless steel actuating stem with a swivel adapter shall be fastened directly to the main valve stem and move vertically through an adapter and gland with two O-ring seals as the valve moves. An adjustable collar located on the actuating stem shall actuate the sensor arm of a switch when valve has fully reached the open or closed (specify) position. The rotary-type position sensor arm shall actuate SPDT or DPDT type (specify) micro-switches mounted inside protective housing either weather-tight or explosion-proof NEMA rated (specify).

Provisions shall be made for bleeding air from valve cover through a small bleed screw and washer located on one wrench flat of adapter. All assemblies shall be capable of accommodating up to three switches. Standard materials in contact with operating fluid are brass, stainless steel, Monel and Buna-N.

A conduit hub opening in the switch enclosure shall be provided for attaching protective weatherproof conduit for the electrical switch wires (wiring and conduit supplied by others). A sealing plug shall be provided to protect conduit opening during shipping or storage.



X105 Series Dimensions (In Inches)

A* - 30" • A** - 36", 42" & 48" Size

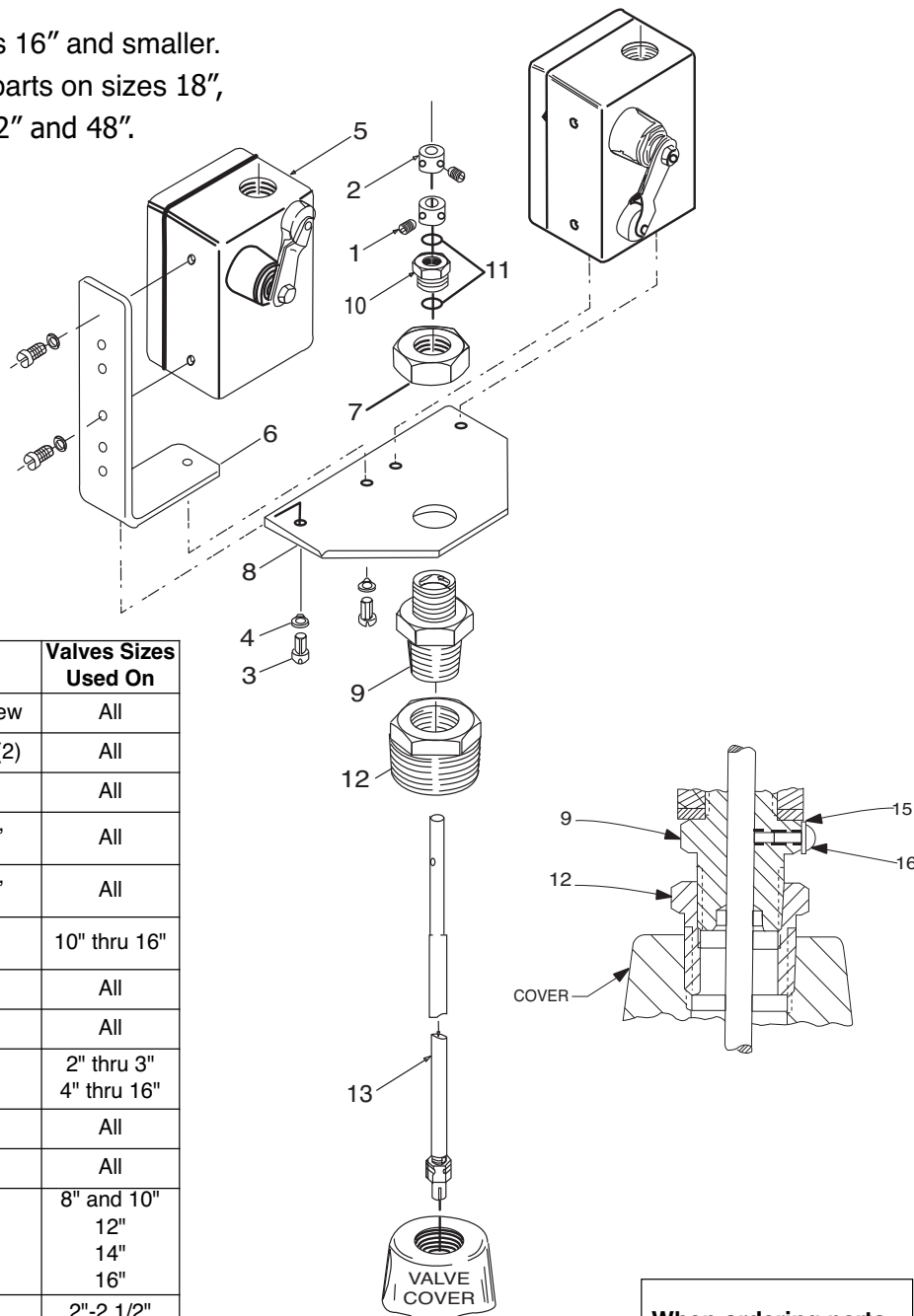
BasicValve 100-01	1 1/4	1 1/2	2	2 1/2	3	4	6	8	10	12	14	16	18	20	24	30	36*	42*	48*
Dimension "A"	10.19	10.19	7.16	7.16	7.34	7.00	6.69	6.91	9.88	9.59	9.16	10.78	10.78	18.23	19.10	35.07	36.07	36.07	36.07
Dimension "B"							1.69	1.69	2.44	2.94	2.94	2.94	2.94	4.32	5.19	8.40	8.40	8.40	8.40
C (NPT)	1/4	1/4	1/2	1/2	1/2	3/4	3/4	1	1	1 1/4	1 1/2	2	2	3/4	3/4	2	2	2	2
BasicValve 100-20					3	4	6	8	10	12	14	16	18	20	24	30	36*	42*	48*
Dimension "A"					7.16	7.34	7.00	6.69	6.91	9.88	9.59	9.59	10.78	10.78	10.78	11.30	35.07	36.07	36.07
Dimension "B"								1.69	1.69	2.44	2.94	2.94	2.94	2.94	2.94	5.19	8.40	8.40	8.40
C (NPT)					1/2	1/2	3/4	3/4	1	1	1 1/4	1 1/4	2	2	2	1	2	2	2



X105L

Limit Switch Assembly

Parts list shown is for sizes 16" and smaller.
Please consult factory for parts on sizes 18",
20", 24", 30", 36", 42" and 48".

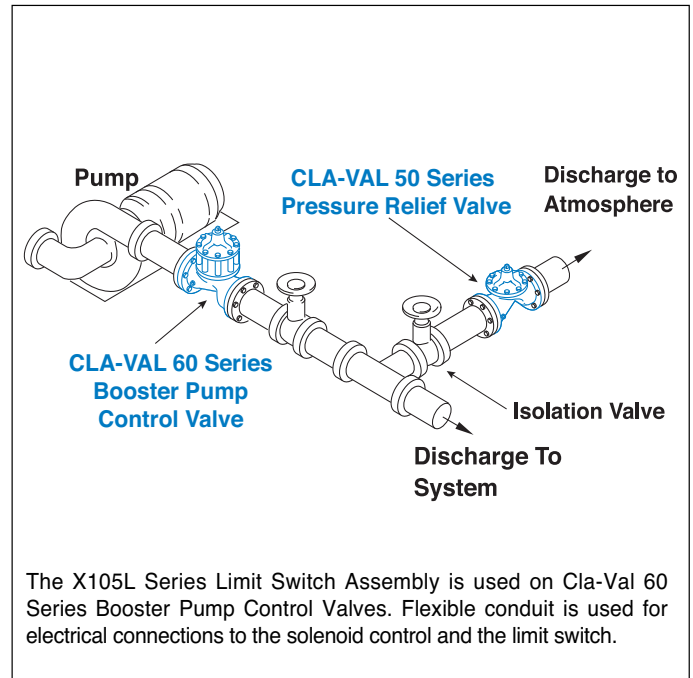
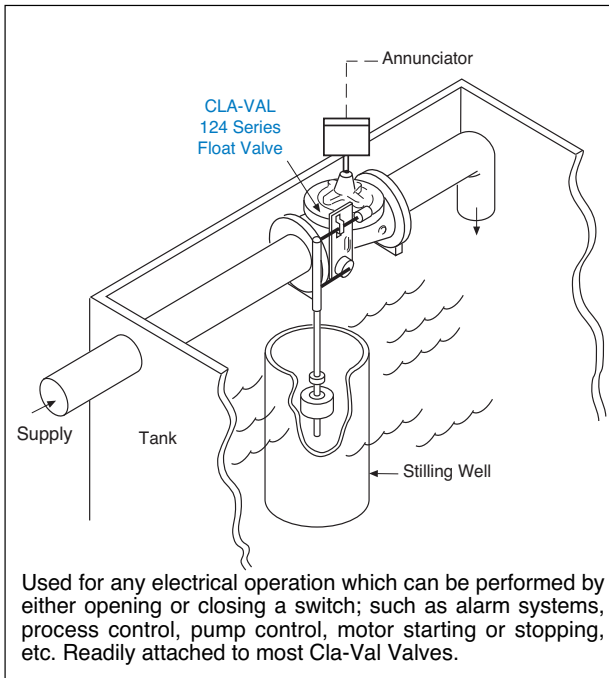


Item	Part Number	Description	Valves Sizes Used On
1-2	20441701E	Collar W/Set Screw	All
3	67578-21B	Screw, Machine (2)	All
4	67584-23F	Washer, Lock (2)	All
5	34637K	Switch Assembly, Weather Proof	All
	34633J	Switch Assembly, Explosion Proof	All
6	64310G	Bracket Switch Mounting	10" thru 16"
7	67815-06J	Nut, Jam	All
8	63674G	Plate, Mounting	All
9	2838201J 2838202G	Adapter Adapter	2" thru 3" 4" thru 16"
10	63398C	Bushing, Gland	All
11	00951E	O-Ring (2)	All
12	6764417K 6764418H 6764419F 6764491J	Bushing Bushing Bushing Bell Reducer	8" and 10" 12" 14" 16"
13	8970101F 8970102D 8970103B 8970104K 8970105G	Stem, Actuating Stem, Actuating Stem, Actuating Stem, Actuating Stem, Actuating	2"-2 1/2" 3"-4" 6"-8" 10"-12"-14" 16"
15	6551201H	Fiber Washer	All
16	6824421K	Screw 8-32 x 3/8	All

When ordering parts, please specify:

- Item Number
- Description
- Part Number

Typical Applications



Specifications

Materials: Aluminum switch housing
Steel bracket and brass adapter
Stainless steel stem

Electrical: 1/2" Conduit connection

Switch Type: SPDT UL, File No. E12252,
CSA Certified, File No. LR57325
Weather proof
NEMA 1,3,4, and 13

Switch Rating: UL/CSA rating: L96
15 amp. 125, 250, or 480 volts AC
1/2 amp. 125 volts DC
1/4 amp. 250 volts DC

Switch Options: DPDT switches available on request
UL/CSA Rating: L59, 10 amps

Explosion proof micro switches are
NEMA 1,7, and 9
UL Listed, File No. E14274 and CSA
Certified, File No. LR57324: Class I,
Group C and D and Class II, Group
E, F and G.

When Ordering, Please Specify

1. Valve Size and Basic Valve Model Number
2. Catalog Number from Table Below
3. All Valve Name Plate Data
4. Select Single or Double Pole Switch
5. Explosion Proof or Weather Proof Type Enclosure
6. Amperes and Voltage, AC or DC
7. Actuating Position (Valve Open or Closed)

CATALOG NO.	ACTUATION POSITION	SWITCH ENCLOSURE
X105LCW	Valve Closed	Weather Proof
X105LCX	Valve Closed	Explosion Proof
X105LOW	Valve Open	Weather Proof
X105LOX	Valve Open	Explosion Proof
X105L2W	Dual	Weather Proof
X105L2X	Dual	Explosion Proof



E-X105L/X105L2 (R-11/2015)

CLA-VAL

1701 Placentia Ave. Costa Mesa, CA 92627-4475
Phone: 949-722-4800 • Fax: 949-548-5441

CLA-VAL CANADA

4687 Christie Drive
Beamsville, Ontario
Canada L0R 1B4
Phone: 905-563-4963
Fax: 905-563-4040

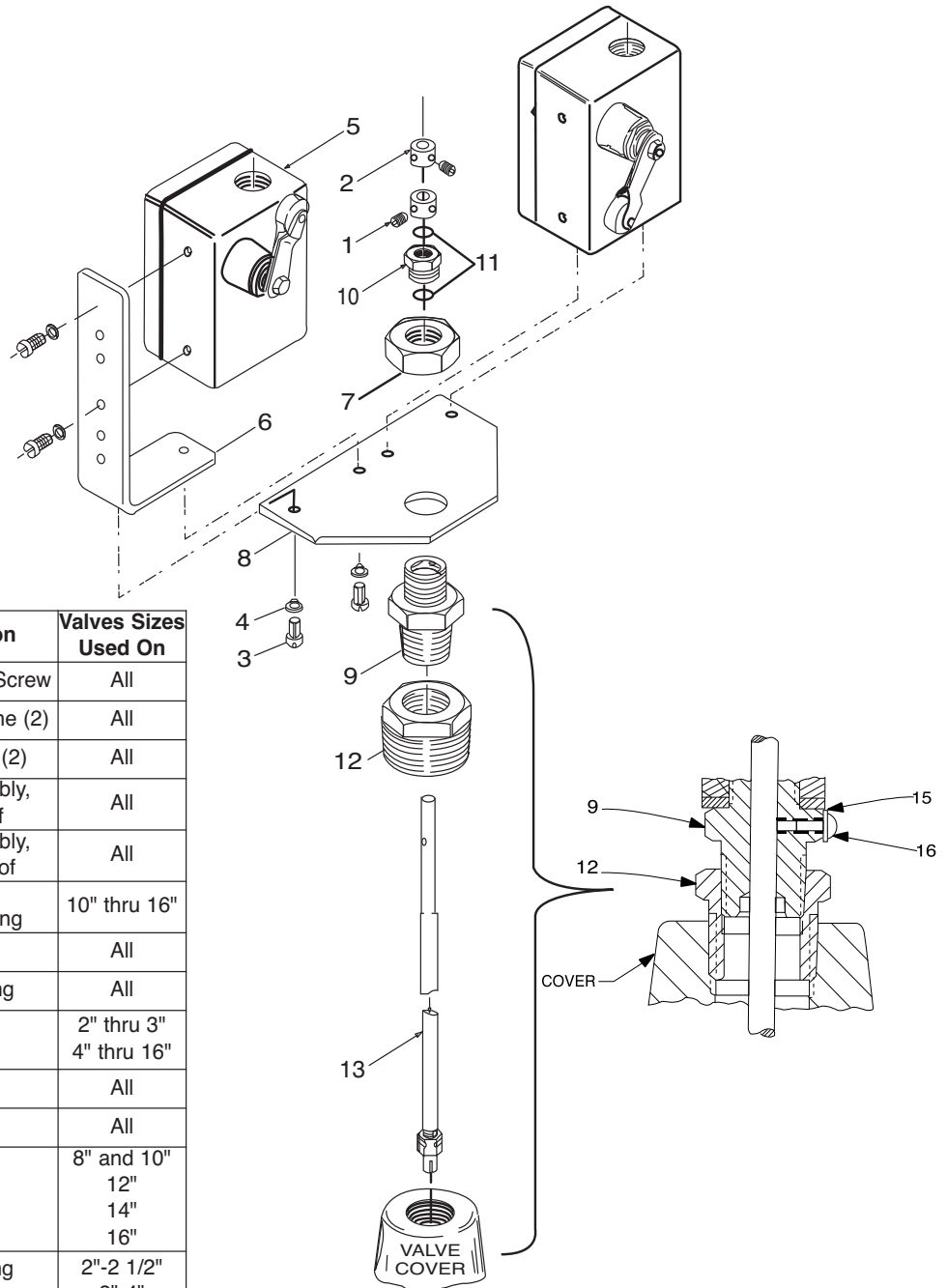
CLA-VAL EUROPE

Chemin des Mesanges 1
CH-1032 Romanel/
Lausanne, Switzerland
Phone: 41-21-643-15-55
Fax: 41-21-643-15-50

©COPYRIGHT CLA-VAL 2015 Printed in USA
Specifications subject to change without notice.

www.cla-val.com

Represented By:

X105L**Limit Switch Assembly**

Item	Part Number	Description	Valves Sizes Used On
1-2	20441701E	Collar W/Set Screw	All
3	67578-21B	Screw, Machine (2)	All
4	67584-23F	Washer, Lock (2)	All
5	34637K	Switch Assembly, Weather Proof	All
	34633J	Switch Assembly, Explosion Proof	All
6	64310G	Bracket Switch Mounting	10" thru 16"
7	67815-06J	Nut, Jam	All
8	63674G	Plate, Mounting	All
9	2838201J 2838202G	Adapter Adapter	2" thru 3" 4" thru 16"
10	63398C	Bushing, Gland	All
11	00951E	O-Ring (2)	All
12	67644-17K 67644-18H 67644-19F 67644-91J	Bushing Bushing Bushing Bell Reducer	8" and 10" 12" 14" 16"
13	89701-01F 89701-02D 89701-03B 89701-04K 89701-05G	Stem, Actuating Stem, Actuating Stem, Actuating Stem, Actuating Stem, Actuating	2"-2 1/2" 3"-4" 6"-8" 10"-12"-14" 16"
15	6551201H	Fiber Washer	All
16	6824421K	Screw 8-32 x 3/8	All

When ordering parts, please specify:

- Item Number
- Description
- Part Number

Flow Control

Model CVS-1



- No Lubrication
- Corrosion Resistant
- One Moving Part
- Replaceable Teflon Coated Seal
- Fast Acting, Non-Sticking
- Easy Maintenance

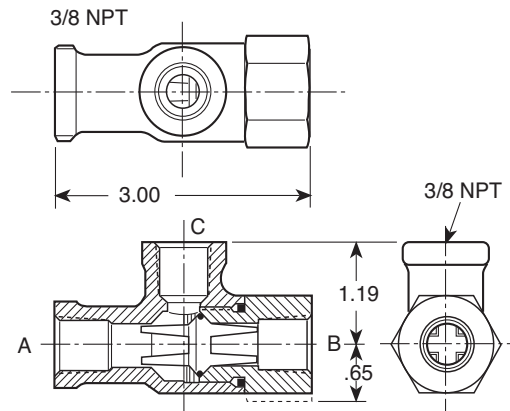
The CVS-1 Shuttle Valve is precision engineered for lasting dependable service. The CVS-1 combines instantaneous action with one moving part designed for smooth positive operation with minimum wear. The flow pattern interconnects the highest pressure from two separate pressure zones (ports "A" or "B") to a common port "C". The two pressure zones, ports A or B can never flow to one another.

The design incorporates precision sealing required for low pressure or high pressure operation. The seal is teflon coated to prevent sticking under the most adverse conditions of exposure or prolonged actuation in one position. The CVS-1 Shuttle Valve incorporates all the required features for lasting dependable service.

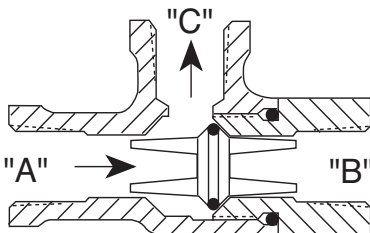
Specifications

Size	3/8"
End Detail	3/8" NPT — Three Female Connections
Pressure Rating	400 psi Max.
Shifting Differential	10" Water Column Differential
CV Factor	"A" to "C" 3.5 "B" to "C" 3.1
Temperature Range	Water to 140°F
Materials	Body Cast Bronze ASTM B-62 Internal Trim Delrin Rubber Parts Static Seal Buna-N® Synthetic Rubber Shuttle Seal Buna-N® Synthetic Rubber Teflon Coated

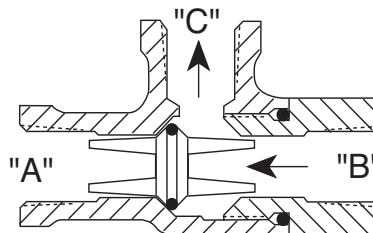
Dimensions



Principle of Operation



Flow Direction "A" to "C"



Flow Direction "B" to "C"

When Ordering, Please Specify

1. Catalog Number
2. Minimum-maximum line pressure
3. Fluid to be handled
4. Temperature
5. Materials



— MODEL — **X46**

Flow Clean Strainer

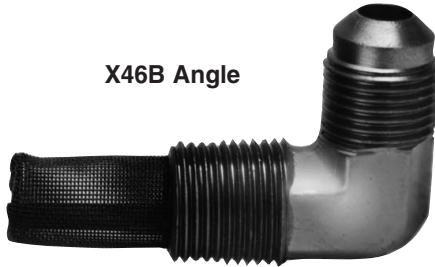


X46A Straight

- Self Scrubbing Cleaning Action
- Straight Type or Angle Type

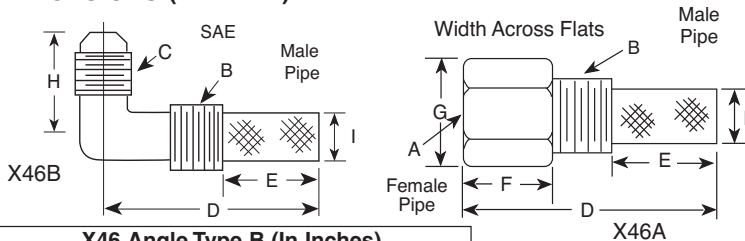
The Cla-Val Model X46 Strainer is designed to prevent passage of foreign particles larger than .015". It is especially effective against such contaminant as algae, mud, scale, wood pulp, moss, and root fibers. There is a model for every Cla-Val. valve.

X46B Angle



The X46 Flow Clean strainer operates on a velocity principle utilizing the circular "air foil" section to make it self cleaning. Impingement of particles is on the "leading edge" only. The low pressure area on the downstream side of the screen prevents foreign particles from clogging the screen. There is also a scouring action, due to eddy currents, which keeps most of the screen area clean.

Dimensions (In Inches)



B(NPT)	C(SAE)	D	E	H	I
1/8	1/4	1-3/8	5/8	7/8	1/4
1/4	1/4	1-3/4	3/4	1	3/8
3/8	1/4	2	7/8	1	1/2
3/8	3/8	1-7/8	7/8	1	1/2
1/2	3/8	2-3/8	1	1-1/4	5/8

A (NPT)	B (NPT)	D	E	F	G	I
1/8	1/8	1-3/4	3/4	1/2	1/2	1/4
1/4	1/4	2-1/4	1	3/4	3/4	3/8
3/8	3/8	2-1/2	1	7/8	7/8	1/2
3/8	1/2	2-1/2	1-1/4	1/2	7/8	3/4
1/2	1/2	3	1-1/4	1	1-1/8	3/4
3/8	3/4	3-3/8	2	1/2	1	7/8
3/4	3/4	4	2	1	1-1/2	7/8
3/8	1	4-1/4	2-3/4	1/2	1-3/8	7/8
1	1	4-1/2	2-3/4	1-1/4	1-3/4	7/8
1/2	1	4-1/4	2-3/4	1/2	1-3/8	7/8

When Ordering, Please Specify:

- Catalog Number X46
- Straight Type or Angle Type
- Size Inserted Into and Size Connection
- Materials

INSTALLATION

The strainer is designed for use in conjunction with a Cla-Val Main Valve, but can be installed in any piping system where there is a moving fluid stream to keep it clean. When it is used with the Cla-Val Valve, it is threaded into the upstream body port provided for it on the side of the valve. It projects through the side of the Main Valve into the flow stream. All liquid shunted to the pilot control system and to the cover chamber of the Main Valve passes through the X46 Flow Clean Strainer.

INSPECTION

Inspect internal and external threads for damage or evidence of cross-threading. Check inner and outer screens for clogging, embedded foreign particles, breaks, cracks, corrosion, fatigue, and other signs of damage.

DISASSEMBLY

Do not attempt to remove the screens from the strainer housing.

CLEANING


After inspection, cleaning of the X46 can begin. Water service usually will produce mineral or lime deposits on metal parts in contact with water. These deposits can be cleaned by dipping X46 in a 5-percent muriatic acid solution just long enough for deposit to dissolve. This will remove most of the common types of deposits. **Caution: use extreme care when handling acid.** If the deposit is not removed by acid, then a fine grit (400) wet or dry sandpaper can be used with water. Rinse parts in water before handling. An appropriate solvent can clean parts used in fueling service. Dry with compressed air or a clean, lint-free cloth. Protect from damage and dust until reassembled.

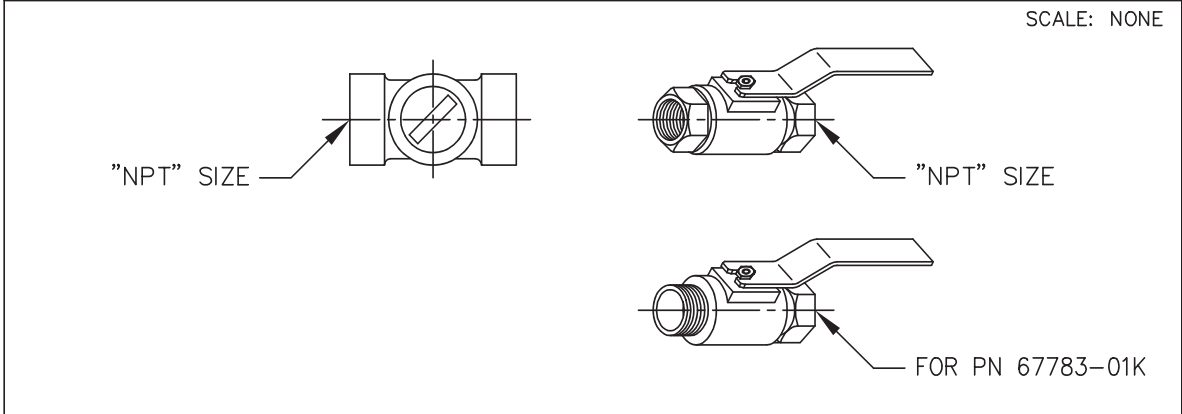
REPLACEMENT

If there is any sign of damage, or if there is the slightest doubt that the Model X46 Flow Clean Strainer may not afford completely satisfactory operation, replace it. Use Inspection steps as a guide. Neither inner screen, outer screen, nor housing is furnished as a replacement part. Replace Model X46 Flow Clean Strainer as a complete unit.

When ordering replacement Flow-Clean Strainers, it is important to determine pipe size of the tapped hole into which the strainer will be inserted (refer to column A or F), and the size of the external connection (refer to column B or G).

AK	07-10-08	BB	ADDED PN'S 67783-62B (NED 62200)
AK	08-14-08	BC	ADDED PN'S 67783-63K (NED 62218)
PC	10-1-2008	BD	ADDED PN 67783-64H (NED 62446)
CAD REVISION RECORD - DO NOT REVISE MANUALLY		BY	DATE
LTR	DESCRIPTION		
A-AY	SEE REVISION FILE		
BA	ADDED PN'S 67783-59H, 67783-60F & 67783-61D (ECO 20434)	AK	03-14-06

 CLA-VAL CO. NEWPORT BEACH, CALIFORNIA	CATALOG NO.	DRAWING NO.	REV
		67783	BD
TYPE OF VALVE AND MAIN FEATURES		DESIGN	
<p style="text-align: center; font-size: 24pt;">CK2 COCK/BALL VALVE</p>		DRAWN	MGR 4-02-80
		CHK'D	KD 4-03-80
		APV'D	CH 4-07-80



CLA-VAL PART NO. AND MATERIAL								
BRONZE WITH HANDLE	STEEL WITH HANDLE	IRON WITH HANDLE	316 SST WITH HANDLE	316 SST W/ LOCKING HANDLE	BRONZE WITH HANDLE	MONEL WITH HANDLE	MONEL W/ LOCKING HANDLE	SIZE "NPT"
67783-01K*	-09C	-17F	-25J SUPSD BY-26G		-41F SUPSD BY-01K			1/8"
-02H	-10A	-18D	-26G	-51E SUPSD BY-26G -52C	-42D SUPSD BY-02H	-55F		1/4"
-03F * -59H***	-11J	-19B	-27E	-46E SUPSD BY-27E -53A	-45G -57B * *	-48A SUPSD BY-49J	-63K	3/8"
-04D -60F ***	-12G	-20K	-28C	-54J	-43B SUPSD BY-04D	-49J	-62B	1/2"
-05A -61D ***	-13E	-21H	-29A	-64H	-44K SUPSD BY-05A	-56D		3/4"
-06J	-14C	-22F	-30J			-58K		1"
-07G	-15K	-23D	-31G					1 1/4"
-08E	-16H	-24B	-32E					1 1/2"
-50G			-47C					2"

- * SEE ENGINEERING APPROVED VENDORS TABLE (SHEET 2 OF 2).
- ** HAMMOND VALVE 8501 ONLY.
- *** WILKINS CK2 (SEE SHEET 2 OF 2)

"THIS DRAWING IS THE PROPERTY OF CLA-VAL CO. AND SAME AND COPIES MADE THEREOF, IF ANY, SHALL BE RETURNED TO IT UPON DEMAND. DELIVERY AND DISCLOSURE HEREOF ARE SOLELY UPON CONDITION THAT THE SAME SHALL NOT BE USED, COPIED OR REPRODUCED, NOR SHALL THE SUBJECT HEREOF BE DISCLOSED IN ANY MANNER TO ANYONE FOR ANY PURPOSE, EXCEPT AS HEREIN AUTHORIZED, WITHOUT PRIOR WRITTEN APPROVAL OF CLA-VAL CO. THIS DRAWING IS SUBMITTED CONFIDENTIALLY AND MAY NOT BE USED IN THE MANUFACTURE OF ANY MATERIAL OR PRODUCT OTHER THAN SUCH MATERIALS AND PRODUCTS FURNISHED TO CLA-VAL CO. WHETHER OR NOT THE EQUIPMENT OR INFORMATION SHOWN HEREON IS PATENTED OR OTHERWISE PROTECTED, FULL TITLE AND COPYRIGHTS, IF ANY, IN AND TO THIS DRAWING AND/OR INFORMATION DELIVERED OR SUBMITTED ARE FULLY RESERVED CLA-VAL CO."



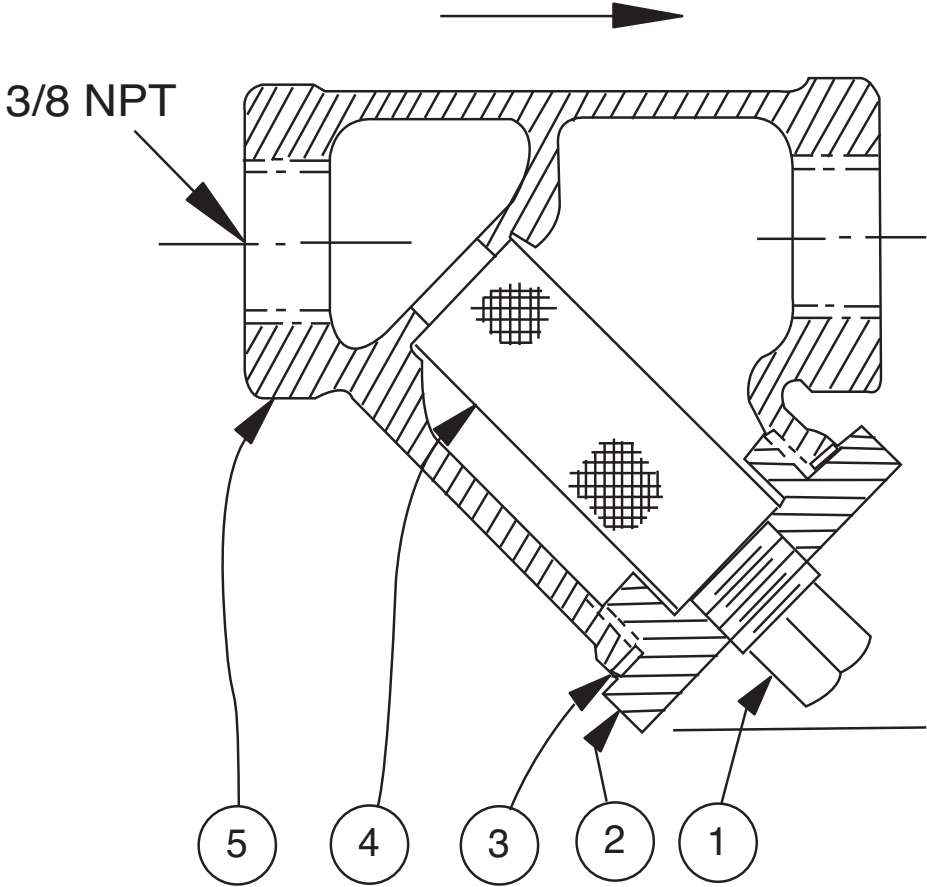
X43 Strainer

ITEM	DESCRIPTION	MATERIAL
1	Pipe Plug	Steel
2	Strainer Plug	Brass
3	Gasket	Copper
4	Screen	SST
5	Body	Brass

No parts available. Replacement assembly only.

Standard 60 mesh pilot system strainer for fluid service.

Size	Stock Number
3/8 x 3/8	33450J

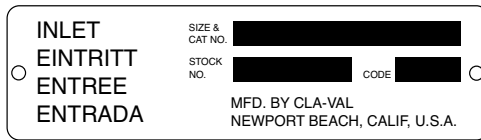


Proper Identification

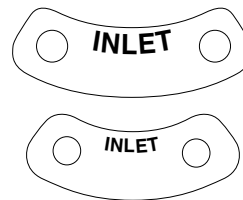
For ordering repair kits, replacement parts, or for inquiries concerning valve operation, it is important to properly identify Cla-Val products already in service by including all nameplate data with your inquiry. Pertinent product data includes valve function, size, material, pressure rating, end details, type of pilot controls used and control adjustment ranges.

Identification Plates

For product identification, cast-in body markings are supplemented by identification plates as illustrated on this page. The plates, depending on type and size of product, are mounted in the most practical position. **It is extremely important that these identification plates are not painted over, removed, or in any other way rendered illegible.**



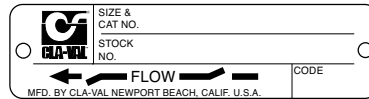
This brass plate appears on valves sized 2 1/2" and is located on the top of the inlet flange.



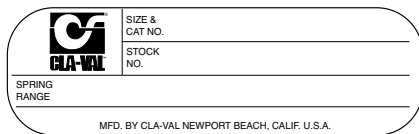
These two brass plates appear on 3/8", 1/2", and 3/4" size valves and are located on the valve cover.



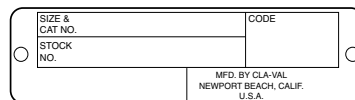
This brass plate appears on altitude valves only and is found on top of the outlet flange.



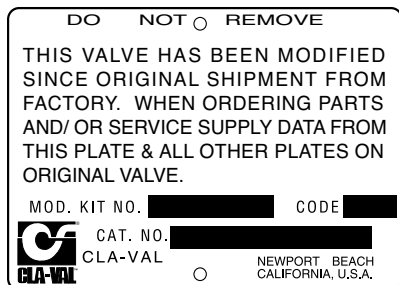
These two brass plates appear on threaded valves 1" through 3" size or flanged valves 1" through 2". It is located on only one side of the valve body.



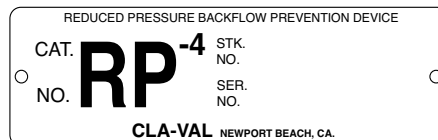
This tag is affixed to the cover of the pilot control valve. The adjustment range appears in the spring range section.



This brass plate is used to identify pilot control valves. The adjustment range is stamped into the plate.



This aluminum plate is included in pilot system modification kits and is to be wired to the new pilot control system after installation.



This brass plate is used on our backflow prevention assemblies. It is located on the side of the Number Two check (2" through 10"). The serial number of the assembly is also stamped on the top of the inlet flange of the Number One check.

HOW TO ORDER

Because of the vast number of possible configurations and combinations available, many valves and controls are not shown in published product and price lists. For ordering information, price and availability on product that are not listed, please contact your local Cla-Val office or our factory office located at:

P. O. Box 1325
Newport Beach, California 92659-0325
(949) 722-4800
FAX (949) 548-5441

SPECIFY WHEN ORDERING

- Model Number
- Globe or Angle Pattern
- Adjustment Range (As Applicable)
- Valve Size
- Threaded or Flanged
- Body and Trim Materials
- Optional Features
- Pressure Class

UNLESS OTHERWISE SPECIFIED

- Globe or angle pattern are the same price
- Ductile iron body and bronze trim are standard
- X46 Flow Clean Strainer or X43 "Y" Strainer are included
- CK2 Isolation Valves are included in price on 4" and larger valve sizes (6" and larger on 600 Series)

LIMITED WARRANTY

Automatic valves and controls as manufactured by Cla-Val are warranted for three years from date of shipment against manufacturing defects in material and workmanship that develop in the service for which they are designed, provided the products are installed and used in accordance with all applicable instructions and limitations issued by Cla-Val. Electronic components manufactured by Cla-Val are warranted for one year from the date of shipment.

We will repair or replace defective material, free of charge, that is returned to our factory, transportation charges prepaid, if upon inspection, the material is found to have been defective at time of original shipment. This warranty is expressly conditioned on the purchaser's providing written notification to Cla-Val immediate upon discovery of the defect.

Components used by Cla-Val but manufactured by others, are warranted only to the extent of that manufacturer's guarantee.

This warranty shall not apply if the product has been altered or repaired by others, Cla-Val shall make no allowance or credit for such repairs or alterations unless authorized in writing by Cla-Val.

DISCLAIMER OF WARRANTIES AND LIMITATIONS OF LIABILITY

The foregoing warranty is exclusive and in lieu of all other warranties and representations, whether expressed, implied, oral or written, including but not limited to any implied warranties or merchantability or fitness for a particular purpose. All such other warranties and representations are hereby cancelled.

Cla-Val shall not be liable for any incidental or consequential loss, damage or expense arising directly or indirectly from the use of the product. Cla-Val shall not be liable for any damages or charges for labor or expense in making repairs or adjustments to the product. Cla-Val shall not be liable for any damages or charges sustained in the adaptation or use of its engineering data and services. No representative of Cla-Val may change any of the foregoing or assume any additional liability or responsibility in connection with the product. The liability of Cla-Val is limited to material replacements F.O.B. Newport Beach, California.

TERMS OF SALE

ACCEPTANCE OF ORDERS

All orders are subject to acceptance by our main office at Newport Beach, California.

CREDIT TERMS

Credit terms are net thirty (30) days from date of invoice.

PURCHASE ORDER FORMS

Orders submitted on customer's own purchase order forms will be accepted only with the express understanding that no statements, clauses, or conditions contained in said order form will be binding on the Seller if they in any way modify the Seller's own terms and conditions of sales.

PRODUCT CHANGES

The right is reserved to make changes in pattern, design or materials when deemed necessary, without prior notice.

PRICES

All prices are F.O.B. Newport Beach, California unless expressly stated otherwise on our acknowledgement of the order. Prices are subject to change without notice. The prices at which any order is accepted are subject to adjustment to the Seller's price in effect at the time of shipment. Prices do not include sales, excise, municipal, state or any other Government taxes. Minimum order charge \$100.00.

RESPONSIBILITY

We will not be responsible for delays resulting from strikes, accidents, negligence of carriers, or other causes beyond our control. Also, we will not be liable for any unauthorized product alterations or charges accruing there from.

RISK

All goods are shipped at the risk of the purchaser after they have been delivered by to the carrier. Claims for error, shortages, etc., must be made upon receipt of goods.

EXPORT SHIPMENTS

Export shipments are subject to an additional charge for export packing.

RETURNED GOODS

1. Customers must obtain written approval from Cla-Val prior to returning any material.
2. Cla-Val reserves the right to refuse the return of any products.
3. Products more than six (6) months old cannot be returned for credit.
4. Specially produced, non-standard models cannot be returned for credit.
5. Rubber goods such as diaphragms, discs, o-rings, etc., cannot be returned for credit, unless as part of an unopened vacuum sealed repair kit which is less than six months old.
6. Goods authorized for return are subject to a 35% (\$100 minimum) restocking charge and a service charge for inspection, reconditioning, replacement of rubber parts, retesting, repainting and repackaging as required.
7. Authorized returned goods must be packaged and shipped prepaid to Cla-Val, 1701 Placentia Avenue, Costa Mesa, California 92627.



E-Product I.D. (R-3/2011)

CLA-VAL

PO Box 1325 Newport Beach CA 92659-0325
Phone: 949-722-4800 • Fax: 949-548-5441

CLA-VAL CANADA

4687 Christie Drive
Beamsville, Ontario
Canada L0R 1B4
Phone: 905-563-4963
Fax: 905-563-4040

CLA-VAL EUROPE

Chemin des Mesanges 1
CH-1032 Romanel/
Lausanne, Switzerland
Phone: 41-21-643-15-55
Fax: 41-21-643-15-50

©COPYRIGHT CLA-VAL 2011 Printed in USA
Specifications subject to change without notice.

www.cla-val.com

Represented By:



—MODEL— **REPAIR KITS**

Model 100-01 Hytrol Main Valve

BUNA-N MATERIAL				
	RUBBER KIT	REPAIR KIT	REBUILD KIT	STUD & NUT KIT
	STOCK NO.	STOCK NO.	STOCK NO.	STOCK NO.
3/8"	9169801K		21176614B	21176633J
1/2"	9169802H	21176602F	21176615A	21176634H
3/4"	9169802H	21176602F	21176615A	21176634H
1" Non-Guided	9169803F	21176601G	21176616K	21176636F
1"	9169804D	21176603E	21176617J	21176636F
1 1/4"	9169804D	21176603E	21176617J	21176636F
1 1/2"	9169804D	21176603E	21176617J	21176636F
2"	9169805A	21176608K	21176618H	21176637E
2 1/2"	9169811J	21176609J	21176619G	21176638D
3"	9169812G	21176604D	21176620D	21176639C
4"	9169813E	21176605C	21176621C	21176640K
6"	9169815K	21176606B	21176622B	21176641J
8"	9817901D	21176607A	21176623A	21176642H
10"	9817902B	21176610F	21176624K	21176643G
12"	9817903K	21176611E	21176625J	21176644F
14"	9817904H	21176612D	21176626H	21176645E
16"	9817905E	21176613C	21176627G	21176645E

Model 100-20 Hytrol Main Valve

BUNA-N MATERIAL				
	RUBBER KIT	REPAIR KIT	REBUILD KIT	STUD & NUT KIT
	STOCK NO.	STOCK NO.	STOCK NO.	STOCK NO.
3"	9169805A	21176608K	21176618H	21176637E
4"	9169812G	21176604D	21176620D	21176639C
6"	9169813E	21176605C	21176621C	21176640K
8"	9169815K	21176606B	21176622B	21176641J
10"	9817901D	21176607A	21176623A	21176642H
12"	9817902B	21176610F	21176624K	21176643G
14"	9817903K	21176611E	21176625J	21176644F
16"	9817903K	21176611E	21176625J	21176644F

Consult factory for larger sizes

Rubber Kit Includes: Diaphragm, Disc, Spacer Washers

Repair Kit Includes: Diaphragm, Disc, Spacer Washers, Epoxy Coated Disc Retainer, Epoxy Coated Diaphragm Washer, Protective Washer

Rebuild Kit Includes: Diaphragm, Disc, Spacer Washers, Epoxy Coated Disc Retainer, Epoxy Coated Diaphragm Washer, Protective Washer, Stainless Steel Bolts & Washers (6" & Below), Stainless Steel Studs, Nuts, & Washers (8" & Above), Stem, Stem Nut, Disc Guide

Stud & Nut Kit Includes: Stainless Steel Bolts & Washers (6" & Below), Stainless Steel Studs, Nuts, & Washers (8" & Above)

Repair Kits for 100-02/100-21 Powertrol and 100-03/100-22 Powercheck Main Valves

For: Powertrol and Powercheck Main Valves—150 Pressure Class Only

Includes: Diaphragm, Disc (or Disc Assembly) and O-rings and full set of spare Spacer Washers.

Valve Size	Kit Stock Number 100-02	Valve Size	Kit Stock Number	
			100-02 & 100-03	100-21 & 100-22
3/8"	9169901H	2 1/2"	9169910J	N/A
1/2" & 3/4"	9169902F	3"	9169911G	9169905J
1"	9169903D	4"	9169912E	9169911G
1 1/4" & 1 1/2"	9169904B	6"	9169913C	9169912E
2"	9169905J	8"	99116G	9169913C
		10"	9169939H	99116G
		12"	9169937B	9169939H

Larger Sizes: Consult Factory.

Repair Kits for 100-04/100-23 Hy-Check Main Valves

For: Hy-Check Main Valves—150 Pressure Class Only

Includes: Diaphragm, Disc and O-Rings and full set of spare Spacer Washers.

Valve Size	Kit Stock Number		Valve Size	Kit Stock Number	
	100-04	100-23		100-04	100-23
4"	20210901B	N/A	12"	20210905H	20210904J
6"	20210902A	20210901B	14"	20210906G	N/A
8"	20210903K	20210902A	16"	20210907F	20210905H
10"	20210904J	20210903K	20"	N/A	20210907F
			24"	N/A	20210907F

Larger Sizes: Consult Factory.

Repair Kits for Pilot Control Valves (In Standard Materials Only)

Includes: Diaphragm, Disc (or Disc Assembly), O-Rings, Gaskets or spare Screws as appropriate.

BUNA-N® (Standard Material)				VITON (For KB Controls)	
Pilot Control	Kit Stock Number	Pilot Control	Kit Stock Number	Pilot Control	Kit Stock Number
CDB	9170006C	CFM-9	12223E	CDB-KB	9170012A
CDB-30	9170023H	CRA (w/bucking spring)	9170001D	CRA-KB	N/A
CDB-31	9170024F	CRD (w/bucking spring)	9170002B	CRD-KB (w/bucking spring)	9170008J
CDB-7	9170017K	CRD (no bucking spring)	9170003K	CRL-KB	9170013J
CDH-2	18225D	CRD-18	20275401K	CDHS-2BKB	9170010E
CDHS-2	44607A	CRD-22	98923G	CDHS-2FKB	9170011C
CDHS-2B	9170004H	CRL (55F, 55L)	9170007A	CDHS-18KB (no bucking spring)	9170009G
CDHS-2F	9170005E	CRL60/55L-60	9170033G	102C-KB	1726202D
CDHS-3C-A2	24657K	CRL60/55L60 1"	9170042H		
CDHS-8A	2666901A	CRL-4A	43413E		
CDHS-18	9170003K	CRL-5 (55B)	65755B		
CDS-4	9170014G	CRL-5A (55G)	20666E		
CDS-5	14200A	CRL-18	20309801C		
CDS-6	20119301A	Universal CRL	9170041K		
CDS-6A	20349401C	CV	9170019F		
CFCM-M1	1222301C	X105L (O-ring)	00951E	Buna-N®	
CFM-2	12223E	102B-1	1502201F		
CFM-7	1263901K	102C-2	1726201F	CRD Disc Ret. (Solid)	C5256H
CFM-7A	1263901K	102C-3	1726201F	CRD Disc Ret. (Spring)	C5255K

Repair Assemblies (In Standard Materials Only)

Control	Description	Stock Number
CF1-C1	Pilot Assembly Only	89541H
CF1-CI	Complete Float Control less Ball and Rod	89016A
CFC2-C1	Disc, Distributor and Seals	2674701E
CSM 11-A2-2	Mechanical Parts Assembly	97544B
CSM 11-A2-2	Pilot Assembly Only	18053K
33A 1"	Complete Internal Assembly and Seal	2036030B
33A 2"	Complete Internal Assembly and Seal	2040830J

When ordering, please give complete nameplate data of the valve and/or control being repaired. MINIMUM ORDER CHARGE APPLIES

CLA-VAL

1701 Placentia Ave • Costa Mesa CA 92627 Phone: 949-722-4800 • Fax: 949-548-5441 • E-mail: info@cla-val.com • www.cla-val.com

© Copyright Cla-Val 2018 Printed in USA Specifications subject to change without notice.

N-RK (R-08/2018)