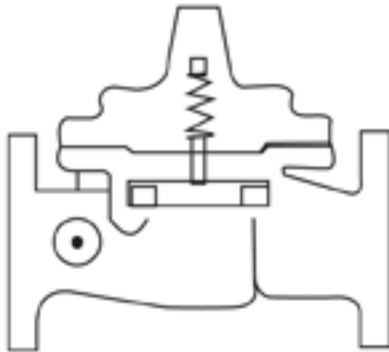


CLA-VAL

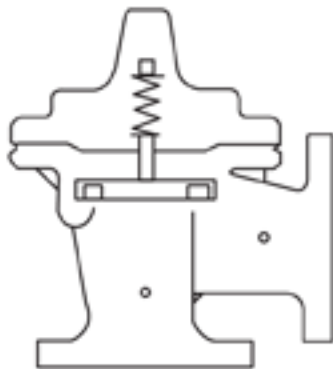
AUTOMATIC CONTROL VALVES

CFC2

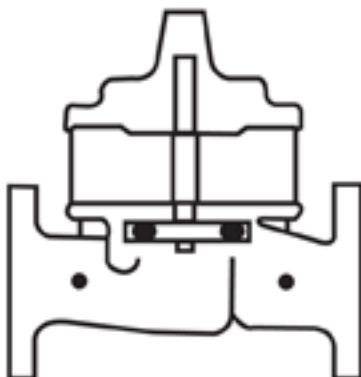
Place this manual with personal responsible
for maintenance of this valve



INSTALLATION



OPERATION



MAINTENANCE



Float Control For Closed Tanks



- **Accurate Liquid Level Control**
- **Fully Hydraulic Operation**
- **Simple Design, Easy Maintenance**
- **No Lubrication Necessary**
- **No Gears, No Mechanical Linkage Between Valve and Control**

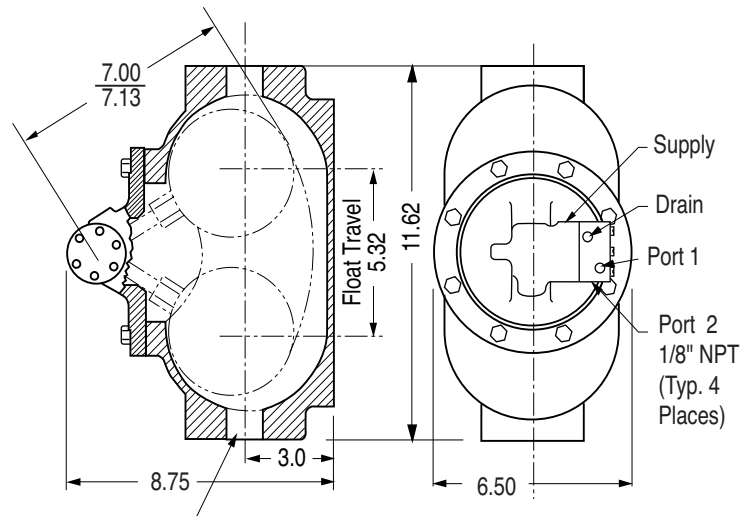
The Cla-Val Model CFC2 Float Control is a float-actuated, multi-port pilot control which provides non-modulating, two-position, on-off operation. It is used primarily to operate remotely located Cla-Val Valves requiring three-way or four-way pilot valve operation. Designed for use in closed tanks, this control operates on a minimum level change of approximately one inch. Maximum level change of five and one-half inches is needed for full capacity.

Note: We recommend protecting the control tubing and valve from freezing temperatures.

Specifications

Control Piping Connections	1/2" NPT
Reservoir Connections	1" NPT
Pressure Rating	0-150 psi
Temperature Rating	Water: to 180°F.
Materials	In contact with operating fluid: Brass, Stainless Steel, Monel, with Buna-N® Seals Float chamber: Cast Iron Pilot valve housing: Bronze Materials in contact with operating fluid: Brass, Stainless Steel, Monel with Buna-N® Seals Float ball: Stainless Steel Float arm: Brass Other material available: Cast steel or aluminum chamber and pilot valve housing. All stainless steel
Level Differential	Approximately 1" minimum required to change pilot valve operation. 5 5/8" required to develop full capacity.
Operating Fluids	Clean liquids or gases compatible with specified materials.
Shipping Weight	12 lbs.

Dimensions (In Inches)



Reservoir Connection
1" NPT (Typ. Both Ends 2 Places)

Installation Data

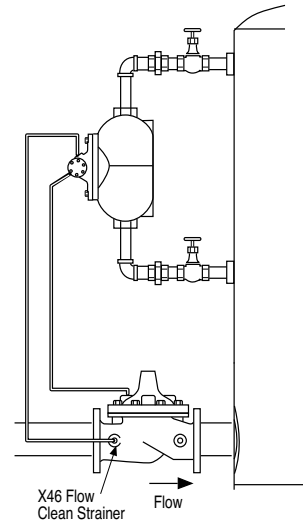
The float control is mounted at the high water level in the tank. The remote Cla-Val valve is installed in the line leading to the tank and is connected to the float control pilot by tubing. (Min. $\frac{3}{8}$ " for valves 6" and smaller, $\frac{1}{2}$ " or larger for valves 8" or larger.)

When line pressure is used to operate the valve, tubing connections are made from the float control pilot to the valve cover, and also to the inlet side of the valve. An X46 Flow Clean Strainer must be installed in the inlet side of the valve. The control may be installed at any elevation above the valve, providing that the flowing line pressure in psi is equal to, or

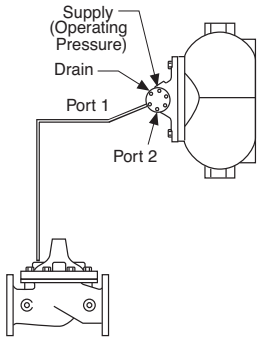
greater than, the vertical distance in feet between the valve and the float control.

An independent source of air or water may be used to operate the valve. The pressure from this independent source must constantly be equal to or greater than pressure at the valve inlet. The independent source is connected to the float control pilot in place of the supply line connected to the inlet side of the valve. If the Model 100-01 under the control of the CFC2 is 8" or larger, auxiliary Hytrol valves may be required. Consult factory for details.

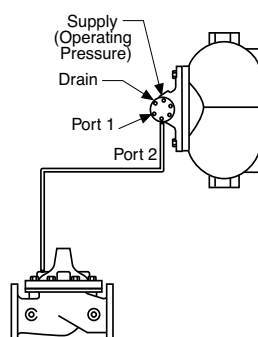
Note: We recommend protecting the control tubing and valve from freezing temperatures.



For Controlling Hytrol Valve



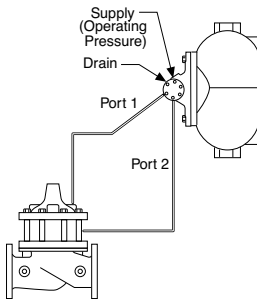
Float Up Closes Valve



Float Down Closes Valve

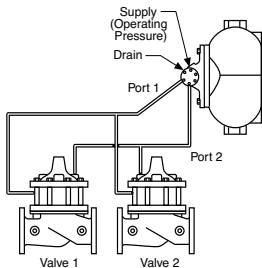
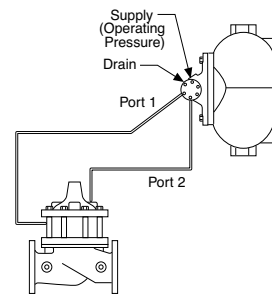
When Ordering, Please Specify

1. Catalog No. CFC2-C1
2. Size and Type of Valve to be Controlled.
3. Materials if different from standard
4. Specify Gravity of Fluid if other than Water.



For Controlling Powerrol Valves

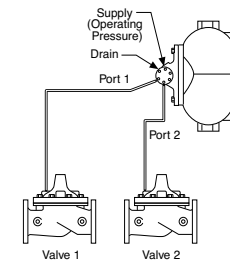
← Float Up Closes Valve →
→ Float Up Opens Valve ←



For Controlling Two Valves Simultaneously

Operation

Float Position	Valve 1	Valve 2
UP	CLOSED	OPEN
DOWN	OPEN	CLOSED



E-CFC2 (R-3/2011)

CLA-VAL

PO Box 1325 Newport Beach CA 92659-0325
Phone: 949-722-4800 • Fax: 949-548-5441

CLA-VAL CANADA

4687 Christie Drive
Beamsville, Ontario
Canada L0R 1B4
Phone: 905-563-4963
Fax: 905-563-4040

CLA-VAL EUROPE

Chemins des Mesanges 1
CH-1032 Romanel/
Lausanne, Switzerland
Phone: 41-21-643-15-55
Fax: 41-21-643-15-50

©COPYRIGHT CLA-VAL 2011 Printed in USA
Specifications subject to change without notice.

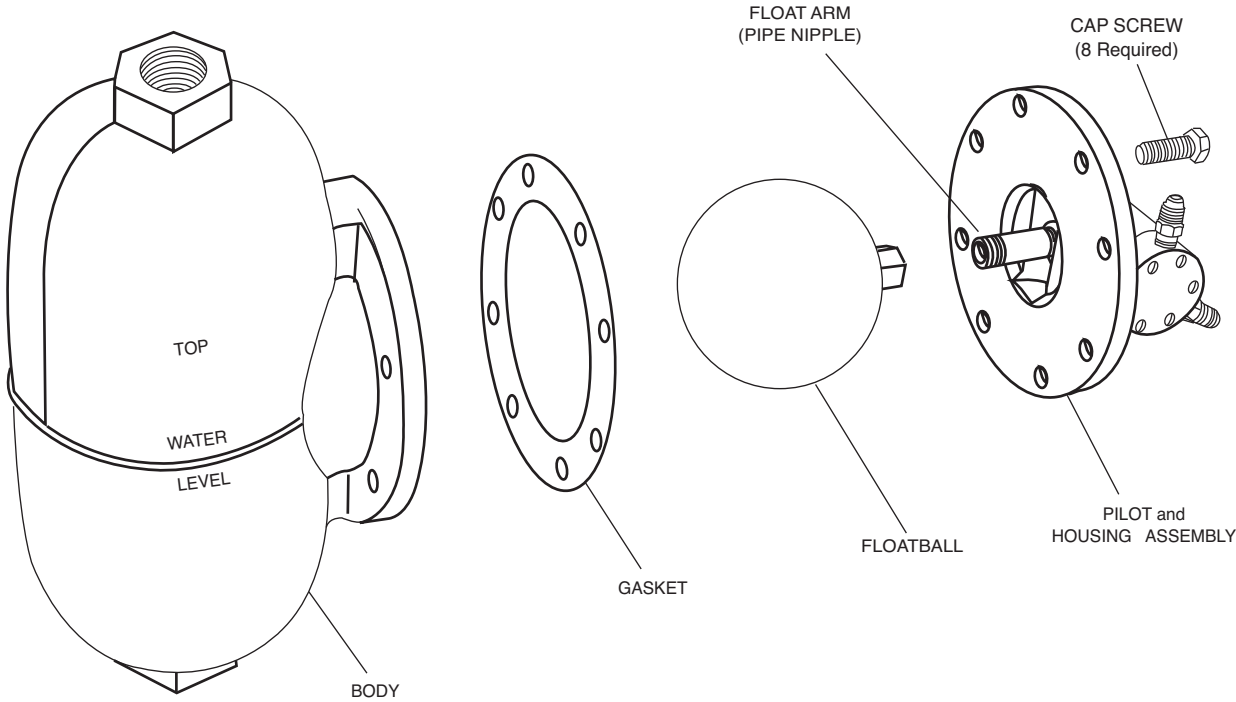
www.cla-val.com

Represented By:



— MODEL — **CFC2**

Float Chamber Control



Common Parts:

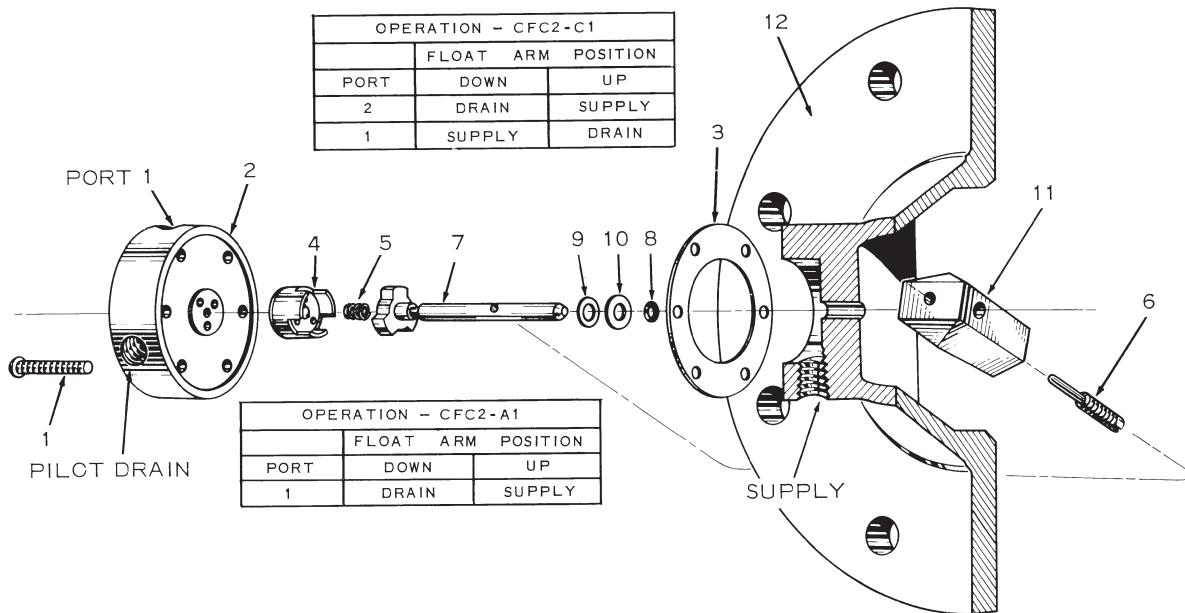
Description	Material
Float Ball	S.S.
*Gasket	Neoprene
Cap Screws	Steel Cad.
3/8-16 x 7/8	Plated

NOTE: SEE OTHER SIDE FOR EXPLODED PILOT AND HOUSING ASSEMBLY.

CATALOG NO.	BODY	PILOT & HOUSING ASS'Y	PIPE NIPPLE 1/4 X 2"
	MATERIAL	MATERIAL	MATERIAL
CFC2-A1	Iron	Bronze with S.S.	Bronze 67586-03
CFC2-A2	Iron	Bronze with S.S.	Bronze 67586-03
CFC2-C1	Iron	Bronze with S.S.	Bronze 67586-03
CFC2-A1	Iron	Steel with S.S.	S.S. 67586-19
CFC2-C1	Iron	Steel with S.S.	S.S. 67586-19
CFC2-A1	Steel	Steel with S.S.	S.S. 67586-19
CFC2-A2	Steel	Steel with S.S.	S.S. 67586-19
CFC2-C1	Steel	Steel with S.S.	S.S. 67586-19



— Model —

CFC2**Pilot & Housing Assembly For Float Chamber Control**

PILOT & HOUSING ASSEMBLIES (BRONZE W/STAINLESS STEEL)
 C426-1 FOR CFC2-A1 OR CFC2-A2-3
 C2035 FOR CFC2-A2 OR CFC2-B2-3
 C2149H FOR CFC2-C1 OR CFC2-B2-4

ITEM	DESCRIPTION	MATERIAL
1	Machine Screw, Rd. Hd., 6/32 x 1", 6 Required	Brass
*2	Distributor for C426-1 Distributor for C-2035 Distributor for C-2149-1	S.S. S.S. S.S.
*3	Gasket	Buna-N®
*4	Disc Assembly	Brass Monel
*5	Spring	S.S.
6	Pin, Lock	S.S.
7	Stem Assembly	Brass - S.S.
*8	"O" Ring	Buna-N®
9	Washer	Brass
10	Washer, Thrust	Brass
11	Arm, Float	Brass
12	Housing	Bronze

PILOT & HOUSING ASSEMBLIES (BRONZE W/STAINLESS STEEL)
 C426-1 FOR CFC2-A1 OR CFC2-A2-3
 C2035 FOR CFC2-A2 OR CFC2-B2-3
 C2149-1 FOR CFC2-C1 OR CFC2-B2-4

ITEM	DESCRIPTION	MATERIAL
1	Machine Screw, Rd. Hd., 6/32 x 1", 6 Required	Steel Cad. Plated
*2	Distributor for C-8017 Distributor for 32340 Distributor for 30792	S.S. S.S. S.S.
*3	Gasket	Buna-N®
*4	Disc Assembly	S.S.
*5	Spring	S.S.
6	Pin, Lock	S.S.
7	Stem Assembly	S.S.
*8	"O" Ring	Buna-N®
9	Washer	S.S.
10	Washer, Thrust	S.S.
11	Arm, Float	S.S.
12	Housing	Steel