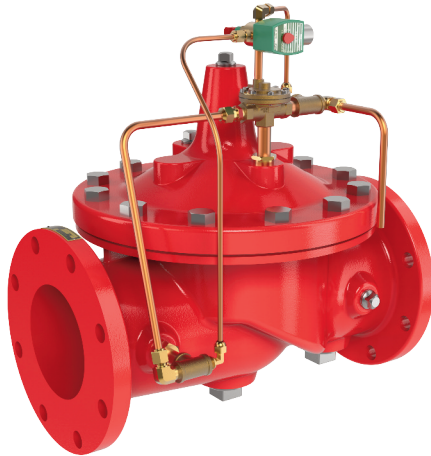




— MODEL — **134-05**

# Solenoid Operated Deluge Valve



- **UL Listed / ULC Listed Main Valves - 3 - 12 inch sizes\***
- **Fast Acting Solenoid Control**
- **Reliable Drip Tight Shut-off**
- **Simple Design, Proven Reliable**
- **Easy Installation & Maintenance**

The Cla-Val Model 134-05 Solenoid Control Valve is an on-off control valve which either opens or closes upon receiving an electrical signal to the solenoid pilot control. This valve consists of a 100G/2100G UL/ULC Listed Hytrol Main Valve, a three-way solenoid valve and an auxiliary pilot valve. This pilot control system alternately applies pressure to/or relieves pressure from the diaphragm chamber of the main valve. It is furnished either normally open (de-energize solenoid to open) or normally closed (energize solenoid to open).

*Note: For seawater applications use 100GS/2100GS main valve*

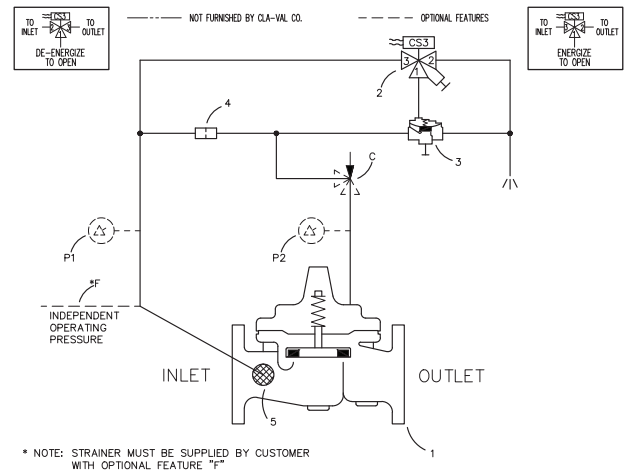
Please note that the UL and ULC Listings apply to the 100G/2100G Hytrol Main Valve equipped with the trim configuration of Model 134-05

### Schematic Diagram

Item	Description
1	100G/2100G UL/ULC Listed Hytrol Main Valve
2	CS3 Solenoid Control
3	100-01 Hytrol Pilot Valve
4	X58C Restriction Orifice
5	X46A Flow Clean Strainer

### Optional Features

Item	Description
C	CV Flow Control (closing)
F	Independent Operating Pressure
P	X141 Pressure Gauge



### Specifications

<b>SIZES</b>	Globe: 3" - 12" flanged Globe: 3" - 8" grooved Angle: 3" - 12" flanged
<b>END DETAILS</b>	Ductile Iron 150 ANSI B16.42 flanged Ductile Iron 300 grooved Cast Steel 150 ANSI B16.5 flanged
<b>PRESSURE RATINGS</b>	150 class, 250 psi maximum (Ductile Iron) 150 class, 285 psi maximum (All other materials) 300 class, 300 psi maximum (All materials)
<b>TEMPERATURE RANGE</b>	Water: to 180° F. Max

### Materials

#### Main valve body & cover:

Ductile Iron ASTM A-536\*  
Cast Steel ASTM A216-WCB\*  
Naval Bronze ASTM B61  
Nickel Aluminum Bronze ASTM B148  
Super Duplex Stainless Steel  
Stainless Steel ASTM A743-CF-8M

#### Main valve trim:

Bronze / Stainless Steel

#### Pilot control system:

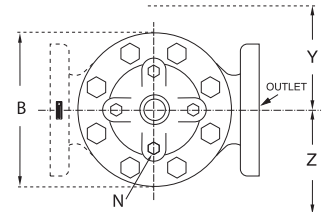
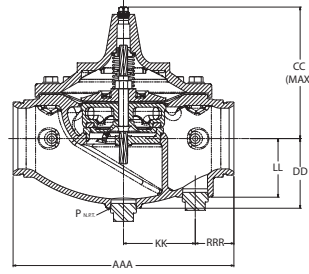
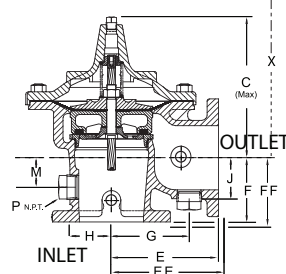
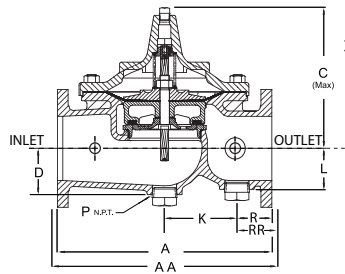
Cast Bronze ASTM B62  
UL /ULC Listed 3" - 12"

### Cover Capacity

Valve Size	Displacement
3"	.080 gal
4"	.169 gal
6"	.531 gal
8"	1.26 gal
10"	2.51 gal
12"	4.00 gal

### Functional Data

Valve Size	Inches	3	4	6	8	10	12	
	mm	80	100	150	200	250	300	
C <sub>V</sub> Factor	Globe Pattern	Gal./Min. (gpm)	115	200	440	770	1245	1725
	Angle Pattern	Litres/Sec. (l/s)	27.6	48	105.6	184.8	299	414
C <sub>V</sub> Factor	Globe Pattern	Gal./Min. (gpm)	139	240	541	990	1575	2500*
	Angle Pattern	Litres/Sec. (l/s)	33.4	58	130	238	378	600



Valve Size (in.)	3	4	6	8	10	12	Valve Size (mm)	80	100	150	200	250	300
<b>A</b> 150 ANSI	12.00	15.00	20.00	25.38	29.75	34.00	<b>A</b> 150 ANSI	305	381	508	645	756	864
<b>AA</b> 300 ANSI	13.25	15.62	21.00	26.38	31.12	35.50	<b>AA</b> 300 ANSI	337	397	533	670	791	902
<b>AAA</b> Grooved	12.50	15.00	20.00	25.38	—	—	<b>AAA</b> Grooved	318	381	508	645	—	—
<b>B</b> Dia.	9.12	11.50	15.75	20.00	23.62	28.00	<b>B</b> Dia.	232	292	400	508	600	711
<b>C</b> Max.	8.19	10.62	13.38	16.00	17.12	21.00	<b>C</b> Max.	208	270	340	406	435	533
<b>CC</b> Max.	7.50	9.94	12.13	15.00	—	—	<b>CC</b> Max.	191	252	308	381	—	—
<b>D</b>	2.56	3.19	4.31	5.16	8.50	9.39	<b>D</b>	65	81	110	131	216	239
<b>DD</b>	3.62	4.50	6.31	7.81	—	—	<b>DD</b>	92	114	160	198	—	—
<b>E</b> 150 ANSI	7.00	8.50	10.00	12.69	14.88	17.00	<b>E</b> 150 ANSI	178	216	254	322	378	432
<b>EE</b> 300 ANSI	—	8.81	10.50	13.19	—	17.75	<b>EE</b> 300 ANSI	—	224	267	350	—	451
<b>F</b> 150 ANSI	4.00	4.97	6.00	8.00	8.62	13.75	<b>F</b> 150 ANSI	102	126	152	203	219	349
<b>FF</b> 300 ANSI	—	5.28	6.50	8.50	—	14.50	<b>FF</b> 300 ANSI	—	134	165	216	—	368
<b>G</b>	4.75	5.94	7.25	8.50	10.50	17.00	<b>G</b>	121	151	184	216	267	432
<b>H</b>	2.69	2.81	3.88	5.31	6.56	7.00	<b>H</b>	68	71	99	135	167	178
<b>J</b>	2.56	2.81	3.81	4.81	5.81	7.00	<b>J</b>	65	71	97	122	148	178
<b>K</b>	7.00	4.03	6.75	17.00	15.50	21.00	<b>K</b>	178	102	171	432	394	533
<b>KK</b>	3.50	4.56	6.50	7.00	—	—	<b>KK</b>	89	116	165	178	—	—
<b>L</b>	2.56	2.81	3.81	4.81	8.50	9.39	<b>L</b>	65	71	97	122	216	239
<b>LL</b>	3.25	4.00	5.31	7.00	—	—	<b>LL</b>	83	102	135	178	—	—
<b>M</b>	1.75	2.41	2.75	4.00	4.24	8.75	<b>M</b>	45	61	70	102	108	222
<b>N</b> NPT	1/2 - 14	3/4 - 14	3/4 - 14	1 - 11-1/2	1 - 11-1/2	1 - 11-1/2	<b>N</b> NPT	1/2 - 14	3/4 - 14	3/4 - 14	1 - 11-1/2	1 - 11-1/2	1 - 11-1/2
<b>P</b> NPT	1-1/4 - 11-1/2	2 - 11-1/2					<b>P</b> NPT	1-1/4 - 11-1/2	2 - 11-1/2				
<b>R</b> 150 ANSI	2.50	3.47	3.25	4.19	7.12	6.50	<b>R</b> 150 ANSI	64	88	83	106	181	165
<b>RR</b> 300 ANSI	3.12	3.78	3.75	4.69	7.81	7.25	<b>RR</b> 300 ANSI	79	96	95	119	198	184
<b>RRR</b> Grooved	2.75	2.94	3.50	5.69	—	—	<b>RRR</b> Grooved	70	75	89	145	—	—
<b>X</b> Pilot System	15.00	17.00	29.00	31.00	33.00	35.00	<b>X</b> Pilot System	381	432	737	787	838	889
<b>Y</b> Pilot System	11.00	12.00	20.00	22.00	24.00	26.00	<b>Y</b> Pilot System	279	305	508	559	610	660
<b>Z</b> Pilot System	11.00	12.00	20.00	22.00	24.00	26.00	<b>Z</b> Pilot System	279	305	508	559	610	660

### Pilot System Specifications

#### Temperature Range

Water: to 180°F

#### Fluids

Air, water, light oils

#### Rubber Parts

Buna-N® Synthetic Rubber

#### Solenoid Control\*

Body:

Brass ASTM B283

Enclosure:

NEMA Type 1, 2, 3, 3S, 4, 4X general purpose watertight

NEMA Type 6, 6P, 7, 9 watertight

Explosion Proof available at extra cost

Voltages:

110, 220 -50Hz AC

24, 120, 240, 480 - 60Hz AC

6, 12, 24, 120, 240 - DC

Others available at extra cost

Max. operating pressure differential: 200 psi

Coil:

Insulation molded Class

F

Watts AC

6

AC Volt Amps Inrush

30

AC Volt Amps Holding

16

Watts DC

10.6

Solenoid Manual operator included.

UL / ULC Listed 100G/2100G

Hytrol Main Valve: 3" - 12"

\*Optional material available for Seawater Service

### When Ordering, Please Specify

- Catalog No. 134-05
- Valve Size
- Pattern - Globe or Angle
- Pressure Class
- Threaded, Flanged or Grooved
- Material Desired
- Energized or De-energized to Open Main Valve
- Solenoid Enclosure, Voltage & Hertz
- When Vertically Installed