



— MODEL — **750-60**

# Fire Hydrant Pressure Relief Valve



## Description

The Cla-Val 750-60 Fire Hydrant Pressure Relief Valve is a hydraulically operated, pilot actuated automatic control valve for pressure relief service. The main valve is made of 316L stainless steel with only one moving part, an elastomeric liner. The valve has a female fire hose connection on the inlet side of the valve and male hose on the outlet side. The valve is available for 2 1/2" or 4" threaded end connections.

The Cla-Val Fire Hydrant Pressure Relief Valve will open when inlet pressure begins to exceed the preset pressure and will allow enough flow to maintain that inlet pressure. The valve will modulate to exhaust line pressure to keep it below the set point maximum. The set point is adjustable over the entire pilot spring range.

The Cla-Val Fire Hydrant Pressure Relief Valve will control from no flow to full open flow without any chattering or slamming under low flow conditions. There is no slip-type friction because the main valve has no bearings.

Control systems are fully piped at the factory and the Cla-Val Fire Hydrant Pressure Relief Valve is shipped complete, ready for installation.

## Performance Specification

Capacity:	See Technical Data Sheet
C <sub>f</sub> Factor:	0.9
Cavitation:	See Technical Data Sheet
Rangeability:	500:1
Bearing Friction:	No friction from slip-type bearings

## Design Specification

Sizes:	2 1/2" and 4"
End Detail Inlet:	Female American National Fire Hose Connection (Section Thread NFPA -194-1974)
End Detail Outlet:	Male American National Fire Hose Connection (Section Thread NFPA -194-1974)
Operating Pressure:	Determined by components as high as 720 psi maximum
Maximum Differential:	150 psid continuous, 225 psid intermittent*
Reverse Pressure:	125 psid maximum
Temperature Range:	32 to 160 degrees F*

\*Standard natural rubber 65 durometer in water service. Temperature range depends on liner material. Higher differential pressure ratings available.

## Material Specification

Body:	316L Stainless Steel
Liner:	Natural Rubber, 65 durometer (standard) Viton, EPDM, Nitrile, Silicone (available)
Liner Retainer:	316 Stainless Steel

## Pilot

Body:	ASTM B62 Bronze*
Spring Cover:	ASTM B62 Bronze*
Wetted Parts:	Bronze/Stainless Steel*, Buna-N®

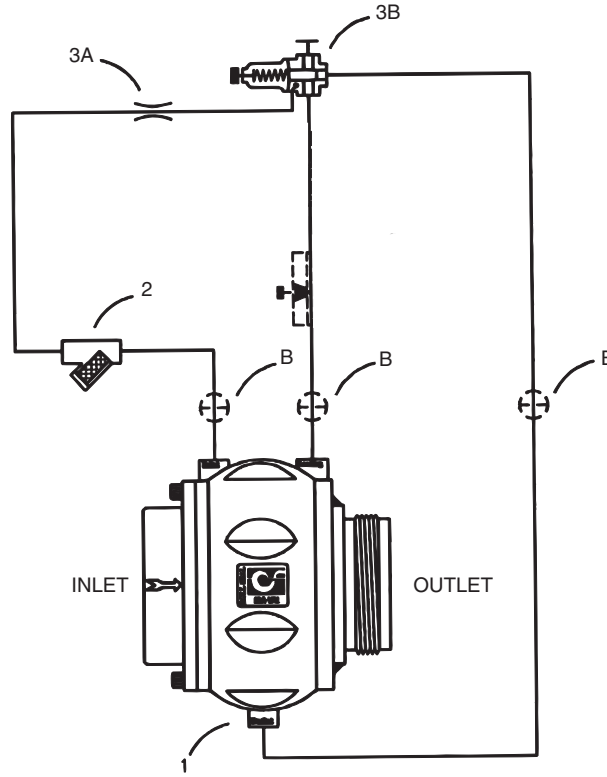
## Accessories

Shut-off Isolation Valve:	Brass*
"Y" Strainer:	Bronze*
Control Piping:	Copper*
Control Fittings:	Brass*

\* 316 stainless steel available

# 750-60 Pressure Relief Valve for Fire Hydrant Service

Maximum inlet pressure 720 psi



## Basic Components

- 1 100-42FH Roll Seal (Main Valve)
- 2 X43 "Y" Strainer
- 3 RCBP Pressure Relief Control w/ Built in Restrictor

## Optional

- B CK2 Isolation Valve

## Adjustment Spring Ranges

- 10 - 90, 25-150, 50-300  
100-500 (10-90 standard)

## Purchase Specification

Valve and control system shall maintain inlet pressure at a predetermined set point; shall open as pressure starts to increase above the set point, and close as pressure falls below the set point. Control valve shall be constructed of two parts: an 316L stainless steel body and an elastomeric liner or control element. Minimum rangeability shall be 500:1 based on capacity at flowing pressure conditions. Cf shall be greater than or equal to 0.9. Valve and control system shall be similar in all respects to Cla-Val Fire Hydrant Pressure Relief Valve as manufactured by Cla-Val, Newport Beach, California.

## When Ordering, Please Specify

1. Catalog No. 750-60
2. Valve Size, 2 1/2" or 4"
3. Inlet Pressure Range
4. Outlet Pressure Range
5. Maximum Differential Pressure
6. Minimum Differential Pressure
7. Maximum Flow Rate
8. Pilot Set Point



## CLA-VAL

1701 Placentia Avenue • Costa Mesa CA 92627

800-942-6326 • Fax: 949-548-5441 • Web Site: [cla-val.com](http://cla-val.com) • E-mail: [info@cla-val.com](mailto:info@cla-val.com)

### CLA-VAL CANADA

4687 Christie Drive  
Beamsville, Ontario  
Canada L0R 1B4  
Phone: 905-563-4963  
Fax: 905-563-4040  
E-mail [sales@cla-val.ca](mailto:sales@cla-val.ca)

### CLA-VAL EUROPE

Chemin des Mésanges 1  
CH-1032 Romanel/  
Lausanne, Switzerland  
Phone: 41-21-643-15-55  
Fax: 41-21-643-15-50  
E-mail: [cla-val@cla-val.ch](mailto:cla-val@cla-val.ch)

### CLA-VAL UK

Dainton House, Goods Station Road  
Tunbridge Wells  
Kent TN11 2 DH England  
Phone: 44-1892-514-400  
Fax: 44-1892-543-423  
E-mail: [info@cla-val.co.uk](mailto:info@cla-val.co.uk)

### CLA-VAL FRANCE

Porte du Grand Lyon 1  
ZAC du Champ du Périer  
France - 01700 Neyron  
Phone: 33-4-72-25-92-93  
Fax: 33-4-72-25-04-17  
E-mail: [cla-val@cla-val.fr](mailto:cla-val@cla-val.fr)

### CLA-VAL PACIFIC

45 Kennaway Road  
Woolston, Christchurch, 8023  
New Zealand  
Phone: 64-39644860  
[www.cla-valpacific.com](http://www.cla-valpacific.com)  
E-mail: [info@cla-valpacific.com](mailto:info@cla-valpacific.com)