



— MODEL —

CSM-11 CSM-11HC Solenoid Control with Manual Operator



CSM-11



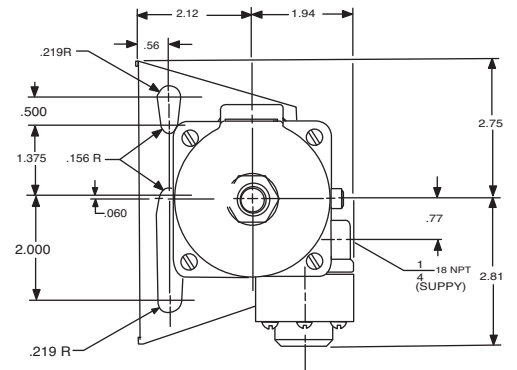
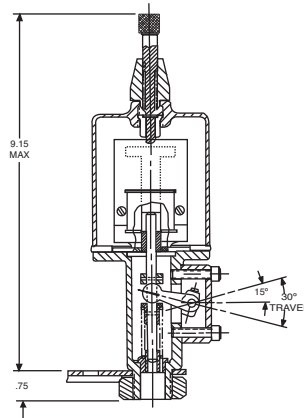
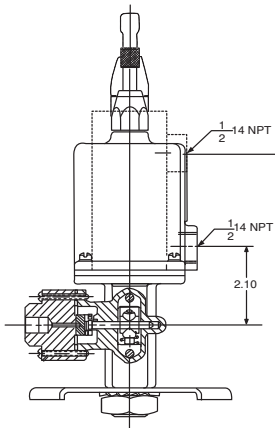
CSM-11HC

- Positive Operation Through Full Pressure Range
- Both Manual and Electrical Operation
- Moving Parts of Solenoid are Cushioned
- Modular Pilot Assembly Provides for Easy Replacement and Minimum Down Time

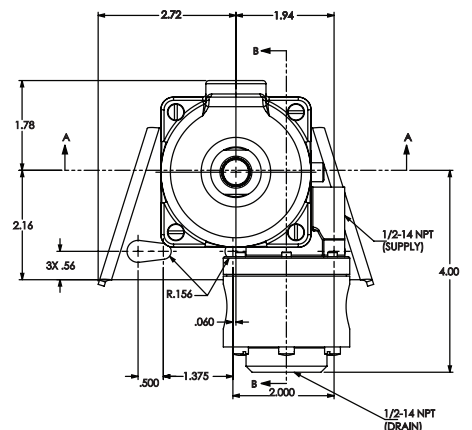
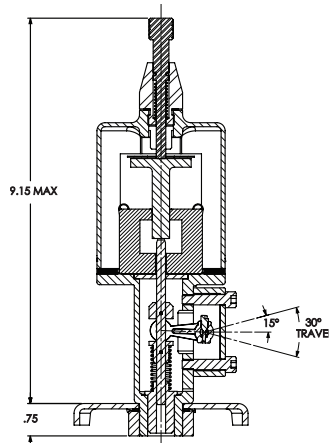
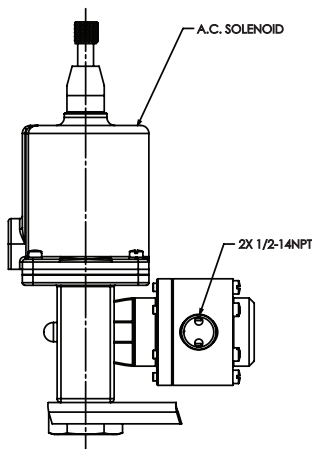
The Cla-Val CSM-11 and CSM-11HC* are direct-acting solenoid valves for use in four-way and three-way applications. They are continuous duty type controls which assures positive and dependable operation over the entire pressure range.

* CSM-11HC is used for larger valves.

CSM-11



CSM-11HC



Operation

The Cla-Val Co. CSM-11/CSM-11HC Solenoid Control meets varied service requirements depending upon the flow pattern used. Catalog number SUFFIXES are used to designate specific flow patterns.

The valves are positioned to direct pressure into pre-determined flow patterns by means of the solenoid and connecting linkage. The valve is a rotary disc, plate type, lapped for drip tight operation. The control is designed for manual as well as electric operation.

Purchase Specifications

The control shall include a continuous duty direct acting solenoid valve, and shall be designed for both manual and electrical operation. The valve shall be integral, of a rotary disc, plate type, and shall be actuated by the solenoid through a linkage. The control shall have the capability to be refurbished by the manufacturer.

When Ordering, Please Specify

1. Catalog No. CSM-11 or CSM-11HC
2. Include suffix of desired type of service
Four-way or Three-Way
3. Voltage and Hertz

Volts (AC 60 Hz)	Amperes		Coil Resistance
	Holding	Inrush	Ohms
24	2.88	25.4	0.5
120	.575	5.1	14.1
208	.330	2.93	40
240	.288	2.54	58
440	.156	1.38	174
480	.143	1.27	233
Volts (AC 50 Hz)	Amperes		Coil Resistance
	Holding	Inrush	Ohms
110	.48	4.6	15.7
220	.24	2.3	66
240	.22	2.1	88

Service Specifications

Solenoid Enclosure - General Purpose, NEMA Type 3

CSM-11 Size (Fluid Connection)

1/4" NPT Supply Port and 1/8" NPT Connector Ports

CSM-11HC Size (Fluid Connection)

1/2" NPT Supply Port and 1/2" NPT Connector Ports

Operating Media Water, air, gas

Coil Insulation Class A (molded)

Operating Pressure 300 psi maximum working pressure

Temperature Water to 150°F maximum

Standard Materials

(Fluid Contact) Bronze, Stainless Steel and Monel*
Aluminum Body—Stainless Steel Trim

*Other materials available - consult factory.

Optional (Fluid Contact) 316SS

Solenoid UL Listed - File E50675

Optional (All Metal Parts) 316SS

Typical Application



Model 60-11 Booster Pump Control Valve



E-CSM-11/CSM-11HC (R-05/2020)

CLA-VAL

1701 Placentia Avenue • Costa Mesa, CA 92627

800-942-6326 • Fax: 949-548-5441 • Web Site: cla-val.com • E-mail: info@cla-val.com

CLA-VAL CANADA

4687 Christie Drive
Beamsville, Ontario
Canada L0R 1B4
Phone: 905-563-4963
E-mail sales@cla-val.ca

CLA-VAL EUROPE

Chemin des Mésanges 1
CH-1032 Romanel/
Lausanne, Switzerland
Phone: 41-21-643-15-55
E-mail: cla-val@cla-val.ch

CLA-VAL UK

Dainton House, Goods Station Road
Tunbridge Wells
Kent TN11 2 DH England
Phone: 44-1892-514-400
E-mail: info@cla-val.co.uk

CLA-VAL FRANCE

Porte du Grand Lyon 1
ZAC du Champ du Pérrier
France - 01700 Neyron
Phone: 33-4-72-25-92-93
E-mail: cla-val@cla-val.fr

CLA-VAL PACIFIC

45 Kennaway Road
Woolston, Christchurch, 8023
New Zealand
Phone: 64-39644860
www.cla-valpacific.com
E-mail: info@cla-valpacific.com