



# Open Body Pinch Valve



### Quality Features at No Extra Cost!

- Short face-to-face
- Full port area
- Center sleeve closure
- Tight shut-off on solids
- Over pinch guard
- Positive pull opening tabs
- Valve position clearly visible

### OPERATION

The Cla-Val Series PV10 Open Body Pinch Valves provide simple means to manually control the flow of abrasive and corrosive slurries, liquids and solids. The valve operates by turning the handwheel clockwise to close, counter-clockwise to open like a gate valve, but unlike a gate valve the PV10 series valve has no sliding or rubbing metal surfaces to wear out - the sleeve is merely squeezed to the desired open or closed position. As a standard sleeve material, pure gum rubber with reinforced polyester fabric is used for highest strength and longer lasting cycle life.

### MAINTENANCE

Cla-Val Pinch Valves are basically maintenance free because the sleeve isolates all mechanical parts from the media. The sleeve is the only part typically inventoried for future replacement.

### Heavy Construction at No Extra Cost!

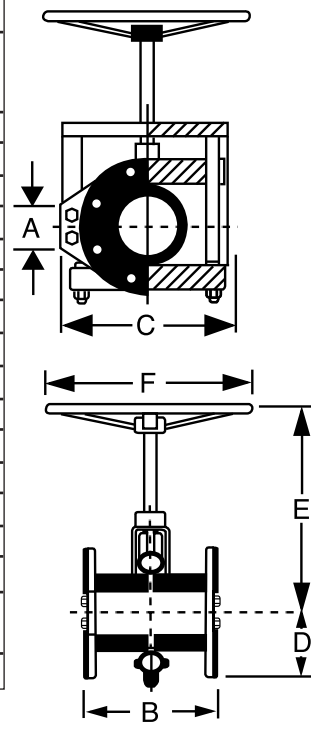
- Rugged carbon steel body
- Easy to operate at high pressure
- Lubricated stem and bearing pad
- Stainless steel guide rods
- Reduced port sleeve for throttling flow
- Double wall sleeves for severe service

### Many Synthetic Sleeve Materials Available:

Neoprene - Chlorobutyl - Hypalon - Buna-N® - Ethylene Propylene Rubber - Urethane and Viton™  
 When ordering above sleeve materials add the first letter of the material after the model number.  
 i.e. Model PV10.10N (N for Neoprene)

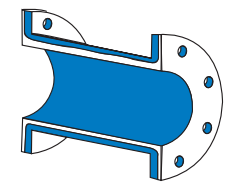
WHEN ORDERING, Please specify following information:			
Flange	<input type="checkbox"/> ANSI	<input type="checkbox"/> ANSI 300	
Drilling	<input type="checkbox"/> PN 6	<input type="checkbox"/> PN 10	
	<input type="checkbox"/> PN 16	<input type="checkbox"/> BS 10	
	<input type="checkbox"/> Other		

Series PV10 Open Body Pinch Valves								
Model No.	Pipe Size Inches A	Length B	Working Pressure PSI	Width C	D	E	Handwheel Diameter F	Weight (est.) lbs
PV10.05	1/2	4	200	3 1/2	1 3/4	4 1/8	6	5
PV10.75	3/4	5	200	5	2	5	6	7
PV10.100	1	5 1/2	150	6	2 1/8	7 3/8	6	10
PV10.150	1 1/2	6 1/2	150	6 5/8	2 1/2	9	6	15
PV10.2	2	7	150	8 3/8	3	10 9/16	8	24
PV10.250	2 1/2	7 1/2	150	9 1/4	3 1/2	11 3/16	10	30
PV10.3	3	8	150	10 1/8	3 3/4	13 1/4	12	37
PV10.4	4	9	150	11 3/4	4 1/2	15 1/8	12	55
PV10.5	5	10	125	14	5	18	16	73
PV10.6	*6	10 1/2	125	15 1/2	5 1/2	20	16	88
PV10.8	*8	16	75	20	6 3/4	23	20	142
PV10.10	*10	20	75	24	8	29 3/8	26	275
PV10.12	*12	24	75	28	9 1/2	33 3/8	32	378
PV10.14	*14	28	50	31 3/8	10 1/2	38 3/8	36	440
PV10.16	*16	32	50	35	11 3/4	44	40	500
PV10.18	*18	36	50	37 1/4	12 1/2	47 9/16	44	550
PV10.20	*20	40	50	44	13 3/4	44	48	650
PV10.24	*24	48	50	51 3/4	16	54	54	900

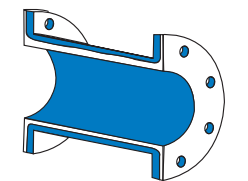


Sleeves Available in Different Styles.

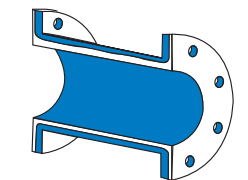
Pinch Valve Standard Sleeve



Pinch Valve Double Wall Sleeve



Pinch Valve Reduced Port Sleeve



\* Available with bevel gear or manual hydraulic operator  
 Series PV10 up to 6" have ANSI B16-10-5-FF lengths. For special designs contact factory