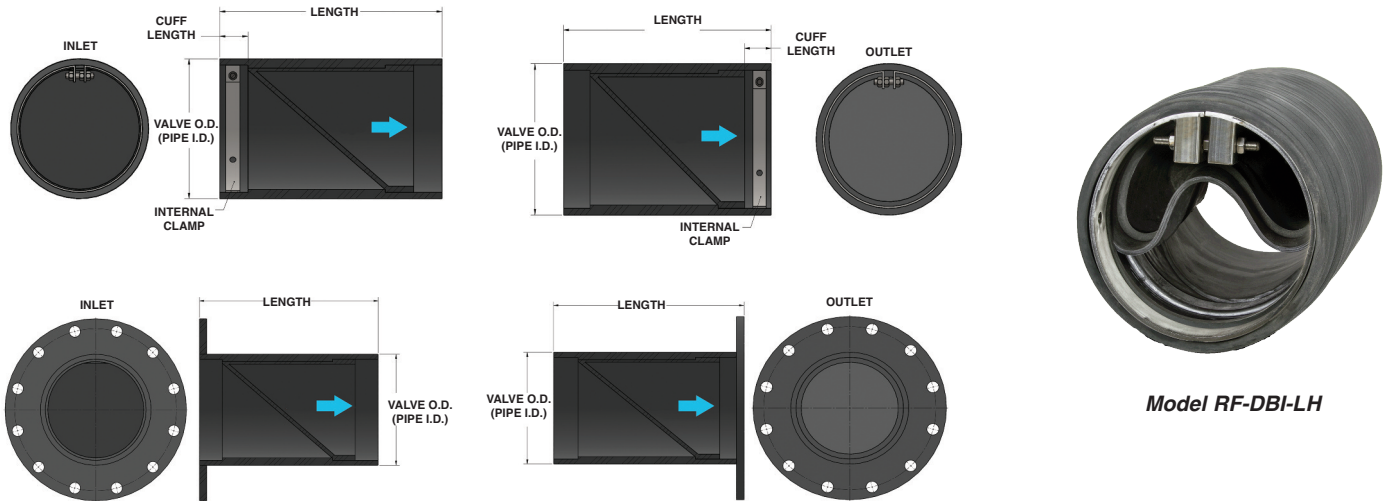




Series RF-DBI-LH

Rubber Flex Low Head Loss In-Line Duckbill Check Valve

Cla-Val Series RF-DBI-LH Low Headloss In-line Rubber-Flex™ Duckbill Check Valve design allows for a passive flow and allows the valve to be installed without having to do any modifications to existing structures or costly pre-install planning. The unique fold away design of the inner sleeve also allows for a near full port flow, allowing for quick drainage and low head loss.



Model RF-DBI-LH

Dimensional Data Size inch / (mm)									
Valve ID	3" (80)	4" (100)	6" (150)	8" (200)	10" (250)	12" (300)	14" (350)	"16 (400)	18" (450)
Cuff Width	2.00 (38)	2.00 (38)	3.00 (51)	3.00 (51)	3.00 (51)	3.00 (51)	5.00 (102)	5.00 (102)	5.00 (102)
Length	8 (204)	9 (229)	12 (305)	14 (356)	16 (406)	20 (508)	26 (661)	29 (737)	31 (788)
Backpressure Feet / mm	40 (12)	40 (12)	40 (12)	40 (12)	40 (12)	40 (12)	20 (6)	20 (6)	20 (6)
Wt. Lbs. / kgs.	5 (2.27)	5 (2.27)	8 (3.63)	14 (6.36)	18 (8.17)	35 (15.88)	75 (34.02)	115 (52.17)	137 (62.15)

Dimensional Data Size inch / (mm)									
Valve ID	20 (500)	24 (600)	30 (750)	36 (900)	42 (1050)	48 (1200)	54 (1350)	60 (1500)	72 (1800)
Cuff Width	8.00 (203)	8.00 (203)	8.00 (203)	8.00 (203)	8.00 (203)	8.00 (203)	8.00 (203)	12.00 (305)	12.00 (305)
Length	43 (1093)	48 (1220)	455 (1397)	63 (1601)	71 (1804)	80 (2032)	87 (2210)	103 (2617)	127 (3226)
Backpressure Feet / mm	20 (6)	20 (6)	20 (6)	20 (6)	15 (5)	15 (5)	15 (5)	15 (5)	12 (4)
Wt. Lbs. / kgs.	210 (95.26)	300 (136.08)	476 (215.92)	785 (356.08)	1350 (612.36)	1725 (782.46)	2500 (1134.00)	3225 (1462.86)	6650 (3016.43)

Elastomer Options

- Neoprene (Barnacle And Algae Resistant)
- NSF/ANSI Standard 61, EPDM, Nitrile, Natural Rubber, CSM and Chlorobutyl

Order Information	Flow Rate (gpm)	Line Pressure	Back Pressure
Minimum			
Maximum			

