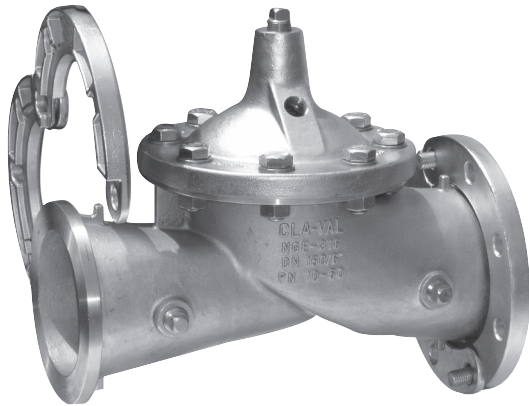




— MODEL — **100-44**
(Reduced Internal Port)

316SS Hytrol Valve



- All 316 Stainless Steel
- Reduced Cavitation Design
- Drip-Tight, Positive Sealing Action
- Service Without Removal From Line
- Every Valve Factory Tested
- Three-Year Warranty

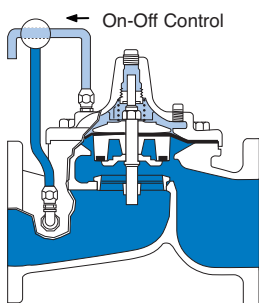
The Cla-Val Model 100-44 Hytrol 316SS Valve is a reduced port hydraulically operated, diaphragm actuated, globe pattern valve with all 316 Stainless Steel metal parts. Specially designed 316 Stainless Steel removable slip-on flanges provide 150 or 300 ANSI class flange connections that meet ANSI and ISO standards. This valve is ideal for control valve applications where fluid compatibility is often a problem. The standard Electropolish finish on the 316 Stainless Steel parts offers extreme corrosion resistance to many industrial fluids such as seawater, high alkyl or high acid concentrations or other aggressive or corrosive fluids.

Note:

KO anti-cavitation trim is available for valves in sizes 100 mm and larger only.

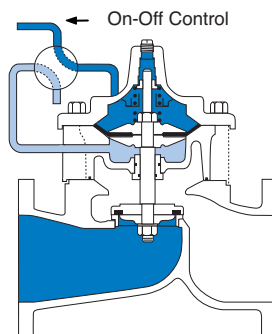
The Model 100-44 Hytrol consists of these major components: body, flanges, diaphragm assembly and cover. The diaphragm assembly is the only moving part and is guided top and bottom by a precision-machined stem. A non-wicking diaphragm of nylon fabric reinforced, synthetic rubber creates the control chamber for the valve. A resilient, synthetic rubber disc forms a drip-tight seal, with the renewable seat, when pressure is applied to the control chamber. The rugged simplicity of design and packless construction assures a long life of dependable, trouble-free operation. Smooth flow passages and fully guided diaphragm assembly assure optimum control, when used in piping systems requiring remote control, pressure regulation, solenoid operation, rate of flow control or check valve operation.

Principle of Operation



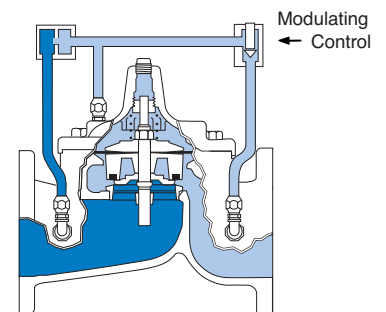
Full Open Operation

When pressure in the cover chamber is relieved to a zone of lower pressure, the line pressure at the valve inlet opens the valve, allowing full flow.



Tight Closing Operation

When pressure from the valve inlet is applied to the cover chamber, the valve closes drip-tight.



Modulating Action

The valve holds any intermediate position when operating pressure is equal above and below the diaphragm. Using a Cla-Val "Modulating" Control will allow the valve to automatically compensate for line pressure changes.

100-44 Main Valve Specifications

Sizes

Globe (millimeters):
50, 65, 80, 100, 150, 200, 250
and 300 mm

End Detail

Slip-on Two Piece Flange
Dimensions Per ANSI B16.5

Pressure Rating

ANSI Class 150:
Maximum 285 psi
ANSI Class 300:
Maximum 400 psi

Higher Pressure Available
Please Contact Factory

Operating Temperature

Fluids Compatible with Valve
Materials
-40° to 82° C -40° to 180° F)

Materials

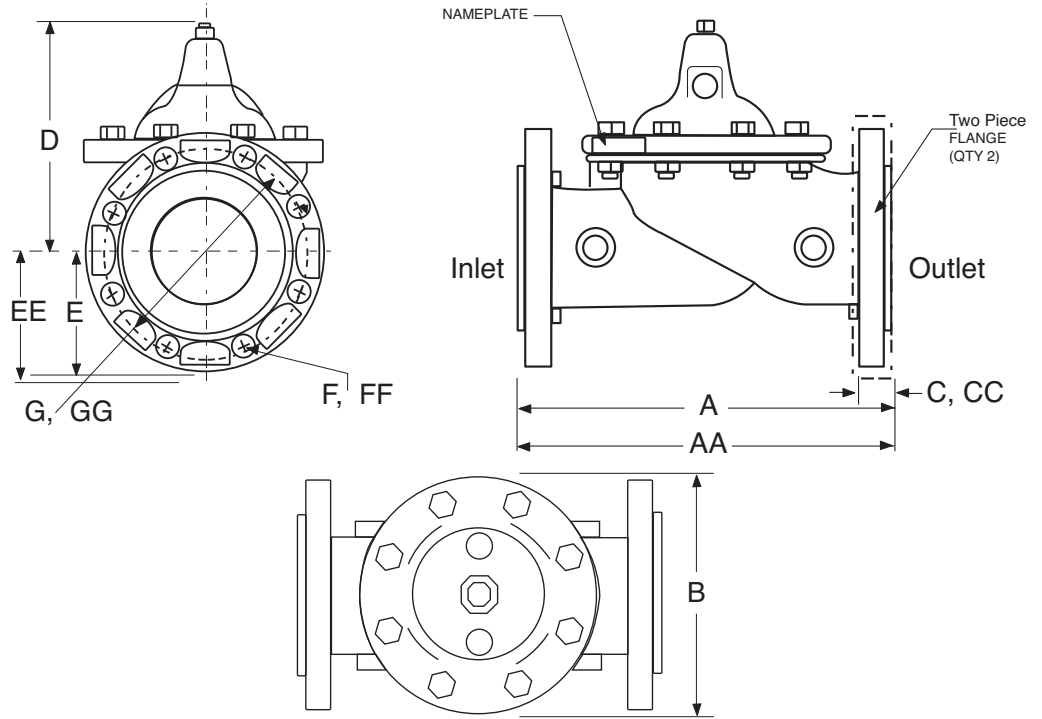
Body, Cover, Trim,
Diaphragm Assembly,
Flanges, and Fasteners
316 Series
Stainless Steel
Electropolished

Disc:
Buna-N® Rubber*

Diaphragm:
Nylon Fabric Reinforced
Synthetic Buna-N® Rubber*

*Contact Factory for Other
Disc or Diaphragm Materials

Note: 100-44 valve uses the same
internal parts as the basic Cla-Val
standard main reduced internal
port 100-20 Hytrol.



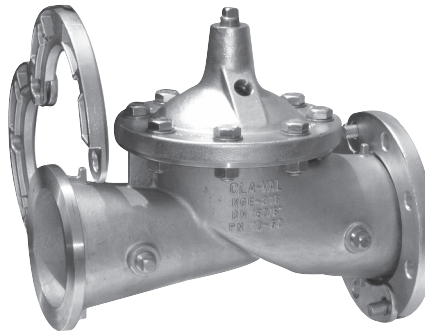
100-44 Main Valve Dimensions (mm)

Valve Size (mm)	50	65	80	100	150	200	250	300
A 150 ANSI	230	290	310	350	480	600	730	850
AA 300 ANSI	230	290	310	350	480	600	730	850
B	145	205	170	235	295	400	510	600
C	23	23	24	24	26	29	29	32
CC 300 ANSI	24	24	25	25	58	29	37	38
D	165	202	208	257	338	416	486	532
E	78	90	95	115	143	173	202	243
EE 300 ANSI	83	95	105	127	160	190	223	260
F	18	18	18	18	23	22	26	26
FF 300 ANSI	18	19	22	22	22	26	30	34
G	121	140	152	191	241	299	362	432
GG 300 ANSI	127	149	168	200	270	330	387	450
Flange Bolts (150 Class)	102	102	102	203	203	203	305	305
Flange Bolts (300 Class)	203	203	203	203	305	305	406	406
Approx. Wt. (Kgs.)	11	18	18	34	73	132	190	330

Reduced Port Functional Data

Size (Inches)	Cv (gpm)*	Cv (l/s)**
50	38	9
65	50	12
80	67	16
100	138	33
150	242	58
200	555	133
250	923	222
300	1492	359

*Cv = gpm flow at 1 psi drop
**Cv = l/s flow at 1 bar drop



When Ordering Please Specify:

1. Catalog No. 100-44
2. Valve Size
3. Fluid Being Handled
4. Fluid Temperature
5. Inlet Pressure Range
6. Outlet Pressure Range
7. Maximum and Minimum Differential Pressure
8. Flow Rate Range



E-100-44 Metric (R-02/2021)

1701 Placentia Avenue • Costa Mesa, CA 92627
800-942-6326 • Web Site: www.cla-val.com • E-mail: info@cla-val.com

CLA-VAL CANADA
4687 Christie Drive
Beamsville, Ontario
Canada L0R 1B4
Phone: 905-563-4963
www.cla-val.com
E-mail: sales@cla-val.ca

CLA-VAL EUROPE
Chemin des Mésanges 1
CH-1032 Romanel/
Lausanne, Switzerland
Phone: 41-21-643-15-55
www.cla-val.ch
E-mail: info@cla-val.ch

CLA-VAL UK
Dainton House, Goods Station Road
Tunbridge Wells
Kent TN11 2 DH England
Phone: 44-1892-514-400
www.cla-val.ch
E-mail: info@cla-val.co.uk

CLA-VAL FRANCE
Porte du Grand Lyon 1
ZAC du Champ du Pérrier
France - 01700 Neyron
Phone: 33-4-72-25-92-93
www.cla-val.ch
E-mail: info@cla-val.ch

CLA-VAL ASIA PACIFIC
45 Kennaway Road
Woolston, Christchurch, 8023
New Zealand
Phone: 64-39644860
www.cla-valpacific.com
E-mail: info@cla-valpacific.com

© COPYRIGHT CLA-VAL 2021 Printed in USA Specifications subject to change without notice.

visit www.cla-val-latinamerica.com for Spanish literature