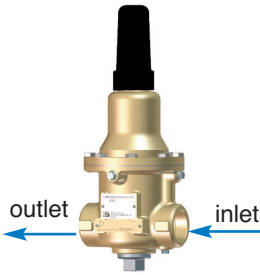




— MODEL — **55B-60**

Pressure Relief Valve

1/2" and 3/4" Globe Configuration

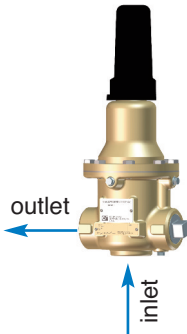


0-75 psi
20-200 psi

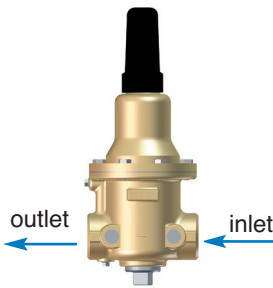


100-300 psi

1/2", 3/4" and 1" Angle Configuration



1" Size
20-75 psi
40-200 psi
100-300 psi



more materials available

- Available sizes 1/2", 3/4" and 1"
- Use in High-Rise Buildings, Industrial Facilities and Municipal Water Systems
- Direct Acting - Precise Pressure Control
- Drip Tight Closure
- No Packing Glands or Stuffing Boxes
- Globe or Angle configurations available
- Sensitive to Small Pressure Variations
- Meets low lead requirements
- Available in Nickel Aluminum Bronze and Stainless Steel

The Cla-Val Model 55B-60 Pressure Relief Valve is a direct-acting, spring loaded, diaphragm type relief valve. The valve may be installed in any position and will open and close within very close pressure limits. The bottom plug may be removed and installed in the inlet to convert it to an angle pattern flow path.

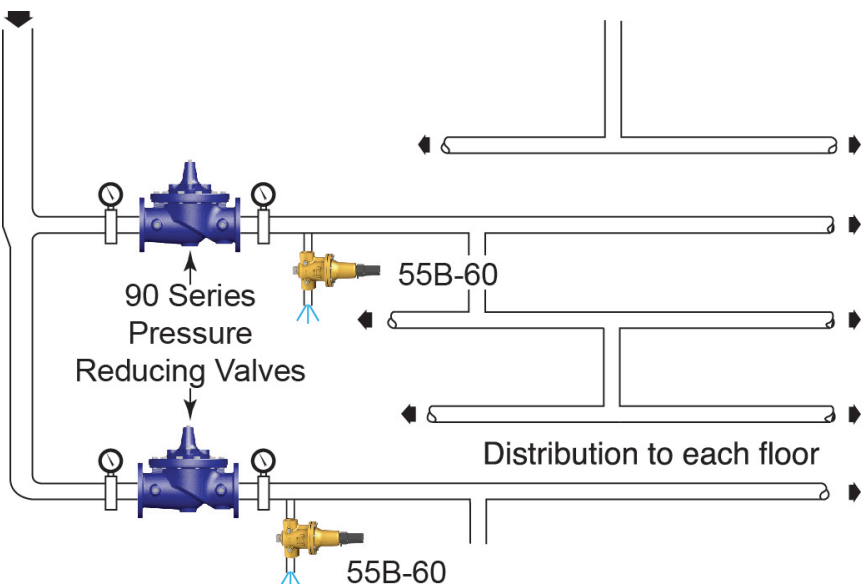
The Model 55B-60 is normally held closed by the force of the compression spring above the diaphragm. When the controlling pressure applied under the diaphragm exceeds the spring setting, the disc is lifted off its seat, permitting flow through the control. When control pressure drops below the spring setting, the spring forces the control back to its normally closed position. The controlling pressure is applied to the chamber beneath the diaphragm through an internal passage. A gauge port is provided for accurate pressure setting.

Pressure adjustment is done by turning the adjusting screw to vary the spring load on the diaphragm. The 55B-60 is available in pressure ranges suited to agency approval tests. To prevent tampering, the adjustment cap can be wire sealed by using the lock wire holes provided in the cap and cover.

Typical Application

The **Model 55B-60** is used in high-rise building water systems to prevent pressure build-up whenever line pressure exceeds the setting of the spring.

Typically installed downstream of pressure reducing valves, the 55B-60 relieves excess pressure to atmosphere to prevent damage to the distribution network. Adequate drainage must be provided.



visit www.cla-val.com
to learn more

Specifications

Size 1/2", 3/4" and 1" Threaded NPT

Temperature Range Water, Air: to 180°F Max.

Materials

Body & Cover: Low Lead Bronze
Stainless Steel ASTM A743-CF-16F
Monel
Super Duplex Stainless Steel

Trim: 303 Stainless Steel
Monel

Rubber: Buna-N® Synthetic Rubber

Pressure Ratings Cast Bronze 400 psi Max.
Stainless Steel 400 psi Max.

Other Materials Available on special order

Adjustment Ranges

0 to 75 psi • 20 to 200 psi • 100 to 300 psi

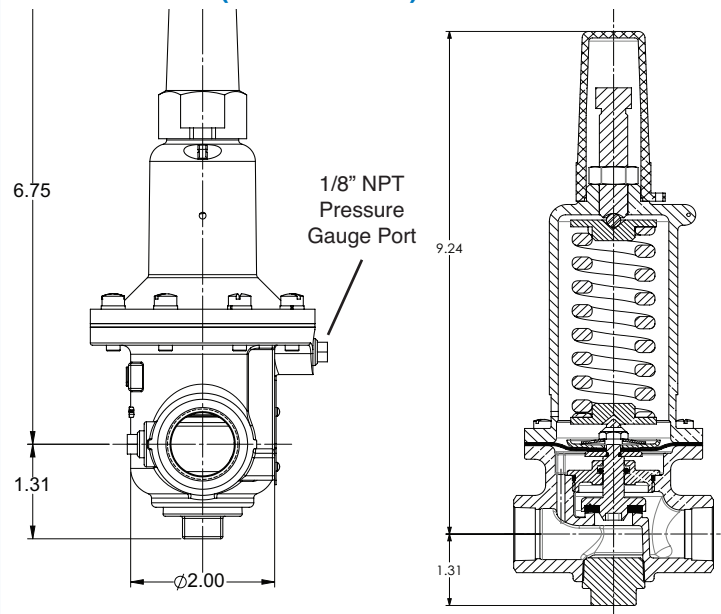
Pressure Drop Chart (Full Open Valve)

Valve Size	C _v Factor	Max Flow (GPM)
1/2"	6	25
3/4"	8.5	40
1"	12.8	65

When Ordering, Please Specify

1. Catalog No. 55B-60
2. Valve Size
3. Adjustment Range Desired
4. Optional Materials

Dimensions (1/2" and 3/4")

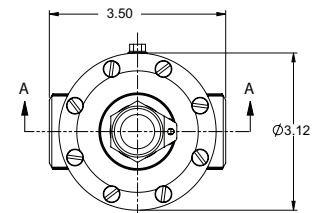


**0 to 75 psi
20 to 200 psi**

100 to 300 psi

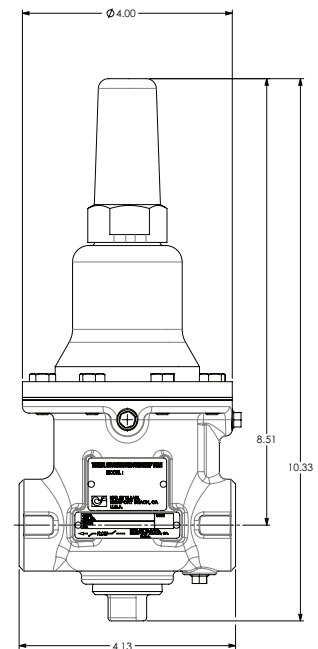
(applies to both configurations)

dimensions shown in inches



Dimensions (1"):

**Spring Range:
20-75
40-200
100-300**



E-55B-60 03/2019

CLA-VAL

1701 Placentia Avenue • Costa Mesa, CA 92627

800-942-6326 • Web Site: www.cla-val.com • E-mail: info@cla-val.com

CLA-VAL CANADA
4687 Christie Drive
Beamsville, Ontario
Canada L0R 1B4
Phone: 905-563-4963
www.cla-val.com
E-mail: sales@cla-val.ca

CLA-VAL EUROPE
Chemin des Mésanges 1
CH-1032 Romanel/
Lausanne, Switzerland
Phone: 41-21-643-15-55
www.cla-val.ch
E-mail: info@cla-val.ch

CLA-VAL UK
Dainton House, Goods Station Road
Tunbridge Wells
Kent TN1 2 DH England
Phone: 44-1892-514-400
www.cla-val.ch
E-mail: info@cla-val.co.uk

CLA-VAL FRANCE
Porte du Grand Lyon 1
ZAC du Champ du Pérrier
France - 01700 Neyron
Phone: 33-4-72-25-92-93
www.cla-val.ch
E-mail: info@cla-val.ch

CLA-VAL ASIA PACIFIC
45 Kennaway Road
Woolston, Christchurch, 8023
New Zealand
Phone: 64-39644860
www.cla-valpacific.com
E-mail: info@cla-valpacific.com

© COPYRIGHT CLA-VAL 2021 Printed in USA Specifications subject to change without notice.

visit www.cla-val-latinamerica.com for Spanish literature