



# Remote Control Valve



- Packless design - no lubrication
- Precisely engineered - close drip-tight
- Full line-sized opening - low flow resistance
- No internal or external orifice
- Diaphragm is fully supported for longer life
- Movable parts & seat ring replaceable without removing valve from line
- NSF/ANSI 61 Fusion Bonded Epoxy Coating

## Specifications

Sizes:	25 -80 mm - Threaded
End Details:	125 ASA B16.1
Pressure Rating:	125 Class-175 psi Max.
Temperature Range:	Water : 125°F Max. Petroleum Products: -40° C to 52° C Max

## Material Specification

Main Body and Cover:	Cast Iron ASTM A-48 Epoxy Coating Standard
Main Valve Trim:	Delrin (DuPont 500) with Bronze seat (ASTM B-61)
Spring:	Stainless Steel AISI 302
Diaphragm and Disc:	Buna-N® Synthetic Rubber

The Cla-Val Model 7100 Valve is a diaphragm actuated, hydraulically operated valve designed for low original cost and long life. Simple, rugged construction allows the 7100 to perform dependably under the most severe operating conditions. Its compact design makes it easy to install.

The 7100 Valve is ideal for any application where the need is for On-Off control, the controlling medium of which is usually the liquid itself, passing through a remote control. The control pressure, when applied against the flexible diaphragm, produces a drip-tight seal between the valve disc and its seat. In the open position, the diaphragm assembly lifts to provide full flow.

The 7100 Valve provides all the advantages of an automatic control valve at a cost comparable to manual valves of the same size and quality.

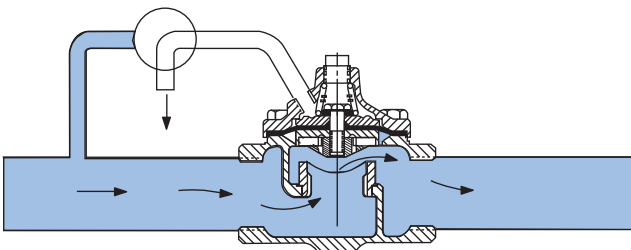
## Purchase Specification

Valve shall be full line size, diaphragm actuated. It shall be hydraulically operated by employing the fluid flowing through it to open as well as close the valve. The diaphragm shall be fabricated of nylon reinforced synthetic rubber, and shall be fully supported in both the open and closed positions and not be used as a disc or seating element. There shall be no packing glands, internal orifice, or continuous bleeding.

The body and cover shall be NSF/ANSI Fusion Bonded Epoxy Coating inside and out.

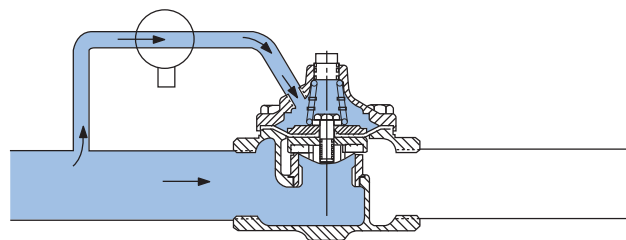
The disc shall be synthetic rubber and have a cross section retained on 31/2 sides. The disc shall close drip-tight against the valve seat. The seat ring shall be replaceable and all necessary repairs shall be possible without removing valve from the line. Valve shall be similar in all respects to the Model 7100 Valve as manufactured by Cla-Val, Newport Beach, California, or approved equal.

## Principle of Operation



### VALVE OPEN

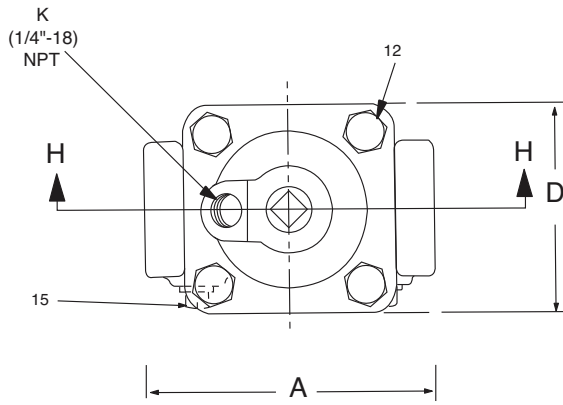
When pressure in diaphragm chamber is relieved to a zone of lower pressure (usually atmosphere) the line pressure at the valve seat opens the valve.



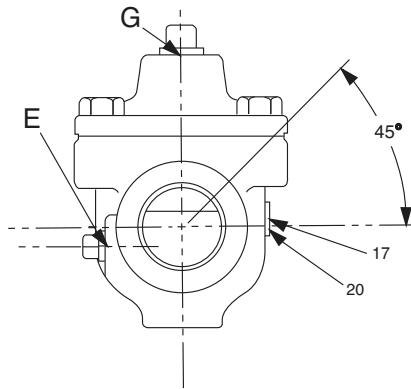
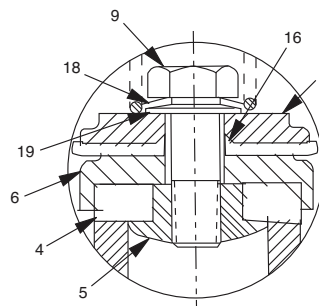
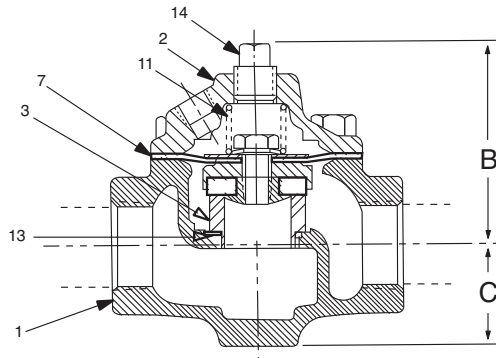
### VALVE CLOSED

When pressure from the valve inlet (or an equivalent independent operating pressure) is applied to the diaphragm chamber the valve closes drip-tight.

## Dimensions



Valve Size (mm)	25	32	40	50	65	80
A 125 Threaded	105	133	133	165	188	210
B Maximum	76	102	102	124	140	156
C	38	48	48	64	76	76
D	76	102	102	124	146	165
E NPT	0.25	0.25	0.25	0.38	0.38	0.38
G NPT	0.38	0.50	0.50	0.50	0.50	0.50
K NPT	0.25	0.25	0.25	0.25	0.25	0.25



Liquid Volume Displaced from Diaphragm Chamber when Valve Opens

Valve Size	Displacement
25 mm	.01 liters
32 mm & 40 mm	.02 liters
50 mm	.08 liters
65 mm	.13 liters
80 mm	.21 liters

Lower inlet pressure will have slightly less capacity -- Higher pressure slightly more due to diaphragm flexibility

## Parts List

Item No.	Description	Qty.
1.	Body	1
2.	Cover	1
3.	Seat	1
4.	Disc	1
5.	Guide, Disc	1
6.	Retainer Disc	1
7.	Diaphragm	1
8.	Washer, Diaphragm	1
9.	Bolt, Stem	1
10.	Nut, Hex	1
11.	Spring	1
12.	Bolt Hex Hd.	4
13.	O-Ring	1
14.	Plug, Pipe	1
15.	Plug, Pipe	1
16.	O-Ring	1
17.	Screw Drive	2
18.	Washer, Bellville	1
19.	Washers	1
20.	Nameplate	1

## When Ordering, Please Specify

- Catalog No.7100
- Valve Size
- Number of valves required

## Variations Available

Catalog No.	Description of Variable
7100 KH	Equipped with heavy spring
7100 KR	7100KH arranged for reverse flow
7100 KX	Equipped with extra heavy spring

## Flow Characteristics

The clean, full-throated design of the Model 7100 VALVE provides minimum pressure loss and optimum  $C_v$  factors for all valve sizes.

$$C_v = \frac{\text{Flow Rate in GPM}}{\sqrt{\text{Pressure Loss in psi}}}$$

Valve Size	$C_v$ Factor	Pressure Loss in psi With Valve Wide Open															
		.14	.6	1.3	2.3	5.1	9.2	14.5	21.								
1" (25mm)	13																
1-1/4"(32mm)	23		.18	.42	.74	1.7	3.0	4.7	6.7	12.0	18.8						
1-1/2" (40mm)	25		.17	.38	.66	1.5	2.7	4.2	6.0	10.5	16.8						
2" (50mm)	46			.19	.4	.8	1.2	1.7	3.0	4.7	10.5	18.8					
2 1/2" (65mm)	72				.17	.4	.5	.7	1.3	1.9	4.4	7.6	17.0				
3" (80mm)	106					.14	.2	.3	.6	.9	2.0	3.5	8.0	14.5			
		5	10	15	20	30	40	50	60	80	100	150	200	300	400		

Flow of Water -- Gallons Per Minute



E-7100 Metric (R-03/2021)

## CLA-VAL

1701 Placentia Avenue • Costa Mesa, CA 92627  
800-942-6326 • Web Site: [www.cla-val.com](http://www.cla-val.com) • E-mail: [info@cla-val.com](mailto:info@cla-val.com)

**CLA-VAL CANADA**  
4687 Christie Drive  
Beamsville, Ontario  
Canada L0R 1B4  
Phone: 905-563-4963  
[www.cla-val.com](http://www.cla-val.com)  
E-mail: [sales@cla-val.ca](mailto:sales@cla-val.ca)

**CLA-VAL EUROPE**  
Chemin des Mésanges 1  
CH-1032 Romanel/  
Lausanne, Switzerland  
Phone: 41-21-643-15-55  
[www.cla-val.ch](http://www.cla-val.ch)  
E-mail: [info@cla-val.ch](mailto:info@cla-val.ch)

**CLA-VAL UK**  
Dainton House, Goods Station Road  
Tunbridge Wells  
Kent TN1 2 DH England  
Phone: 44-1892-514-400  
[www.cla-val.ch](http://www.cla-val.ch)  
E-mail: [info@cla-val.co.uk](mailto:info@cla-val.co.uk)

**CLA-VAL FRANCE**  
Porte du Grand Lyon 1  
ZAC du Champ du Périer  
France - 01700 Neyron  
Phone: 33-4-72-25-92-93  
[www.cla-val.ch](http://www.cla-val.ch)  
E-mail: [info@cla-val.ch](mailto:info@cla-val.ch)

**CLA-VAL ASIA PACIFIC**  
45 Kennaway Road  
Woolston, Christchurch, 8023  
New Zealand  
Phone: 64-39644860  
[www.cla-valpacific.com](http://www.cla-valpacific.com)  
E-mail: [info@cla-valpacific.com](mailto:info@cla-valpacific.com)