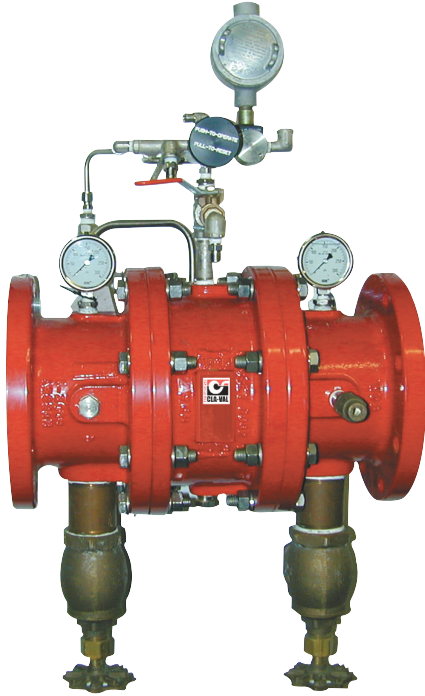




— MODEL — **834-60**

800 Series (Tubular Diaphragm Valve)

Seawater Fire Deluge Valve



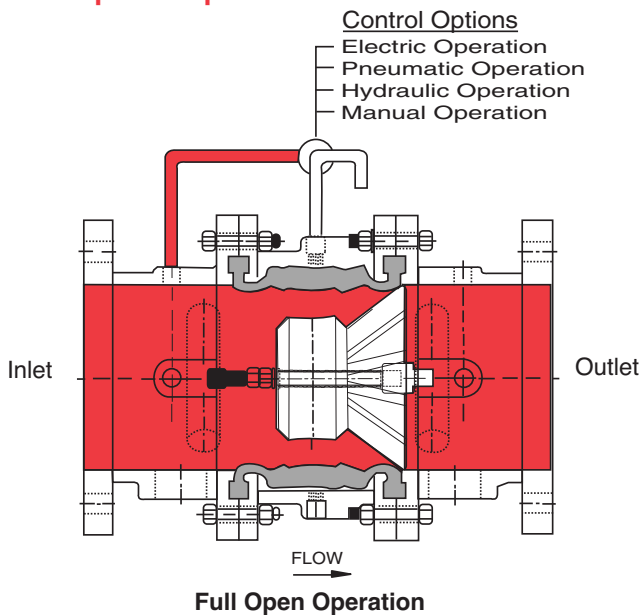
- Low Head Loss
- Cast Steel Construction
- Stainless Steel Pilot and Tubing
- Stainless Steel Solenoid
- Anti-Cavitation Design
- Fusion Coated Epoxy Inside and Out
- Nickel Aluminum Bronze Construction Option (Alloy C95800)
- Duplex Stainless Steel Construction Option (Alloy 2205)
- Low Maintenance
- Simple and Reliable Operation
- 1-Year Warranty

The Cla-Val Model 834-60 Seawater Deluge Valve is a pressure operated, in-line axial valve. A tube diaphragm actuates the valve, which is comprised of three major components: 1) Tube 2) Barrier and 3) Body. There is only one moving part in the valve - the tube diaphragm. There are no shafts, packing, stem guides or springs.

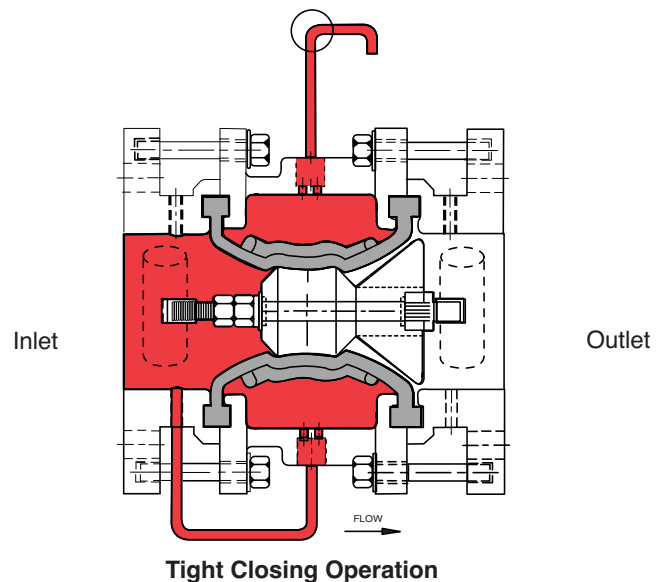
The tube diaphragm is a one piece, homogeneous nitrile rubber part which is extremely durable. The ends of the tube are thick solid rubber, designed to fit between mating flanges. This design eliminates the possibility of cutting the tube diaphragm due to over tightening or piping misalignment during installation.

The tube forms a drip tight seal around the barrier when the pressure is equalized between the valve inlet and the control chamber. When pressure is removed from the control chamber, the valve is open. The minimum recommended operating pressure is 40 P.S.I. of inlet pressure.

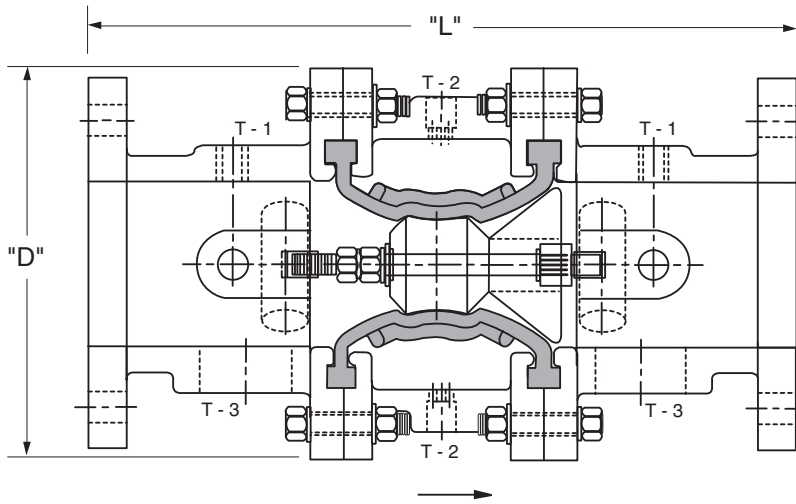
Principle of Operation



When pressure in control chamber is relieved, the valve is open.



Water pressure from valve inlet is applied to the control chamber. Valve closes bubble tight.



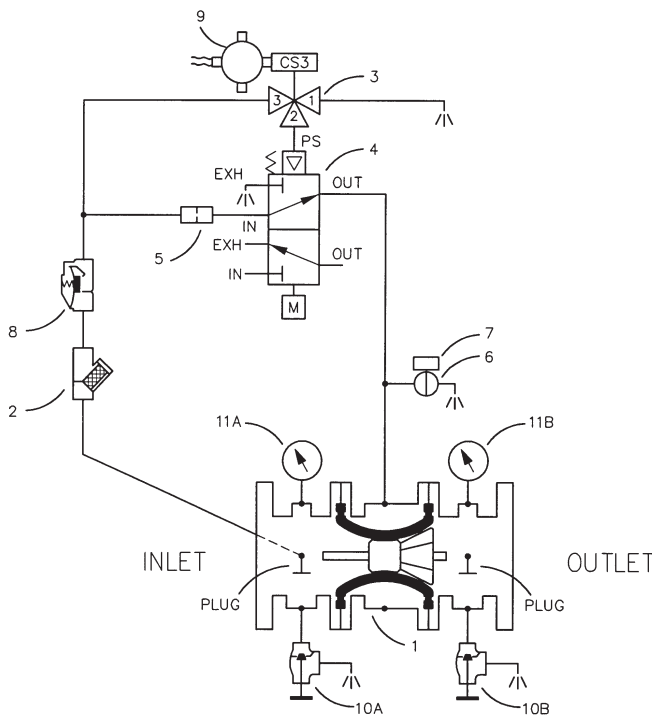
Valve Size (Inches)	4	6	8	10
L	17.25	18.25	20.00	22.00
D	9.5	11.75	14.00	16.00
T-1/T-2 (NPT)	1/2	1/2	1/2	1/2
T-3 (NPT)	2	2	2	2
Approx. Wt. (Lbs.)	151	196	285	330

Valve Size (mm)	100	150	200	250
L	438	464	508	559
D	241	299	356	406
T-1/T-2 (NPT)	1/2	1/2	1/2	1/2
T-3 (NPT)	2	2	2	2
Approx. Wt. (kgs)	68	89	129	150

4", 6", 8" Factory Mutual Approved
(with approved Pilot Components)

FLOW FACTORS		
SIZE (IN)	CV (gpm)	KV
4"	340	77.3
6"	885	201
8"	1667	379
*10"	2424	550

*Calculated



MAIN VALVE

- Ends: Flanged ANSI B16.5 (150lb Class)
- Body: Cast Steel (ASTM A216 WCB)
- Tube Diaphragm: Nitrile Rubber
- Barrier: Urethane
- Bolts: 316 SS
- Pressure: 250 psig (17.24 BAR)
- Temp. Range: 32° F to 180° F (0° C to 82.2° C)

MAIN VALVE OPTIONS

- Body: Nickel Aluminum Bronze (Alloy C95800) or Duplex SS (Alloy 2205)

PILOT VALVE

- All Parts: Bronze / Monel
- O-Rings: Nitrile Rubber
- Control Range: 20 to 250 PSIG
- Pilot Pressure Range: 20 to 250 PSIG
- Operation: Latches in operated position; manual reset

PILOT VALVE OPTIONS

- All Parts: Monel (Alloy 400)
- Operation: Non-latching

CLA-Val 800 Series Control Valves operate with maximum efficiency when mounted in horizontal or vertical piping. We recommend isolation valves be installed on inlet and outlet for maintenance. Adequate space above and around the valve for service personnel should be considered essential. A regular maintenance program should be established based on the specific application data. However, we recommend a thorough inspection be done at least once a year. Consult factory for specific recommendations.



E-834-60 (R-3/2021)

CLA-VAL

1701 Placentia Avenue • Costa Mesa, Ca 92627
800-942-6326 • Web Site: www.cla-val.com • E-mail: info@cla-val.com

CLA-VAL CANADA
4687 Christie Drive
Beamsville, Ontario
Canada L0R 1B4
Phone: 905-563-4963
Fax: 905-563-4040
E-mail sales@cla-val.ca

CLA-VAL EUROPE
Chemin des Mésanges 1
CH-1032 Romanel/
Lausanne, Switzerland
Phone: 41-21-643-15-55
www.cla-val.ch
E-mail: info@cla-val.ch

CLA-VAL UK
Dainton House, Goods Station Road
Tunbridge Wells
Kent TN11 2DH England
Phone: 44-1892-514-400
www.cla-val.ch
E-mail: info@cla-val.ch

CLA-VAL FRANCE
Porte du Grand Lyon 1
ZAC du Champ du Pérrier
France - 01700 Neyron
Phone: 33-4-72-25-92-93
www.cla-val.ch
E-mail: info@cla-val.ch

CLA-VAL ASIA PACIFIC
45 Kennaway Road
Woolston, Christchurch, 8023
New Zealand
Phone: 64-39644860
www.cla-valpacific.com
E-mail: info@cla-valpacific.com