



CLA-VAL 340GF

Pressure Fuel Servicing Adapter



P/N 10693-01J-OTC

Standalone SPR unit (Non DFARS)

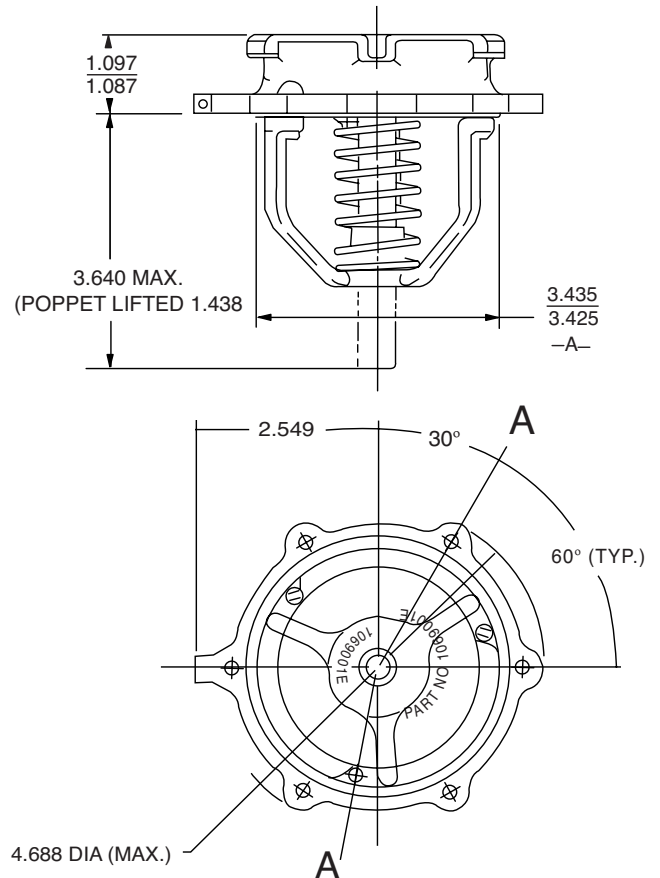
- **Conforms to MS24484-5**
- **Durable High-Strength Stainless Steel Body**
- **Body, Poppet and Spider are Precision Cast**
- **Long Wearing Fluorosilicone Seal**

The Cla-Val Model 340AF Pressure Fuel Servicing Adapter mates with both underwing fuelling nozzles and hydrant couplers. The adapter is designed for the delivery of pressurized fuel to both refueling tank trucks and fueling support vehicles, hydrant systems, fixed pipework fueling facilities and Tank Farms. The design and construction of the Cla-Val 340AF Adapter conform to MIL-A-25896 and MS24484-5.

To ensure maximum strength and durability, the Cla-Val 340AF Adapter is constructed of high-strength stainless steel and aluminum. The adapter body, poppet assembly, and spider are precision investment cast for a long service life under high-usage conditions. A Fluorosilicone seal bonded to the poppet provides drip-tight sealing throughout the adapter's specified temperature range.

SPECIFICATIONS

SPECIFICATIONS:	Design and construction per MIL-A25896, Rev. "E" and Standard MS24484-5
NOMINAL SIZE:	2.5"
LIQUIDS:	Refined petroleum products
TEMPERATURE RANGE:	Fuel: -55°C to + 93°C (-67°F to + 200°F) Ambient: -55°C to + 177°C (-67°F to + 350°F)
INLET:	Threaded or flanged options available
CONNECTION:	2.5" single point bayonet
MATERIALS:	<p>Adapter Body Investment cast stainless steel 17-4PH per AMS 5355, passivated</p> <p>Poppet Assembly Investment cast aluminum A356T6 with Fluorosilicone elastomer</p> <p>Spider Investment cast aluminum A356T6</p> <p>Spring Stainless steel 17-7PH per AMS 5763</p> <p>Screws Corrosion resistant steel per AMS 5737</p>



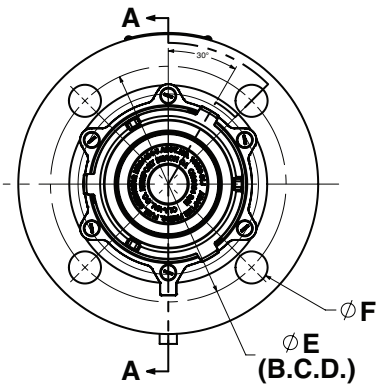


CLA-VAL 340GF

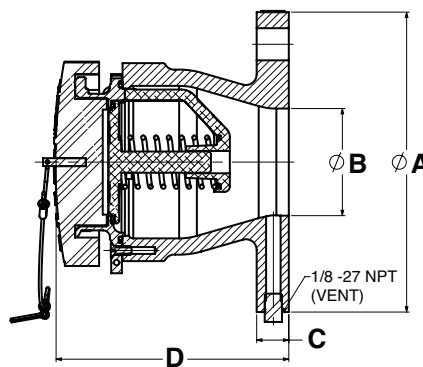
Pressure Fuel Servicing Adapter

The 340AF is available as a standalone unit, without housing attached, or with one of the following housing options assembled;

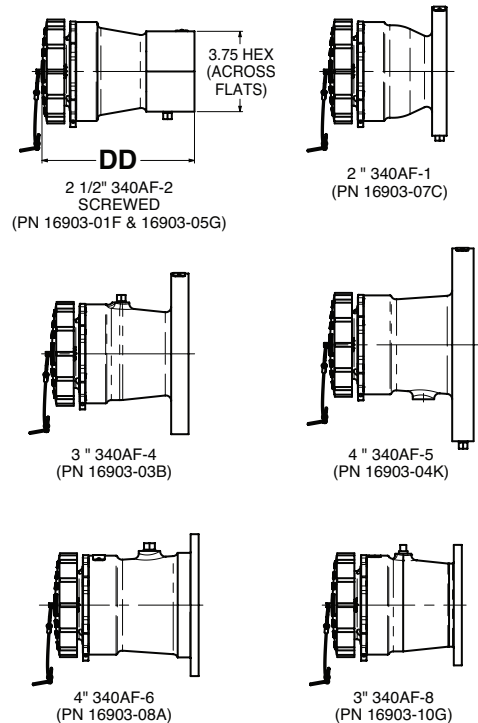
SIZE	CATALOG NO.	A	B	C	D	DD	E	F	NO. OF HOLES	MOUNTING CONNCTIONS
2.50	340AF-2	-	-	-	-	7.10	-	-	-	2-1/2 - 8 NPT
2.50	340AF-2KX	-	-	-	-	7.10	-	-	-	PIPE THD ISO 7/1-Rp 2 1/2
2.0	340AF-1	6.00	2.00	0.62	5.45	-	4.750	0.75	4	ANSI FLANGE 150 LB
2.50	340AF-3	7.00	2.50	0.69	5.45	-	5.500	0.75	4	
2.50	340AF-7	7.00	2.50	0.69	5.45	-	5.500	0.75	4	
3.0	340AF-4	7.50	3.00	0.75	6.38	-	6.000	0.75	4	
4.0	340AF-5	9.00	4.00	0.94	6.70	-	7.500	0.75	8	
3.0	340AF-8	5.63	3.00	0.38	6.04	-	4.875	0.44	8	TTMA
4.0	340AF-6	6.63	4.00	0.38	6.70	-	5.875	0.44	8	



VIEW SHOWN WITHOUT
FIND NO. 4 DUST COVER, SPR



SECTION A-A
2 1/2" 340AF-3 PN 16903-02D
& 2 1/2" 340AF-7 PN 16903-09J (SHOWN)



CLA-VAL GLOBAL HEADQUARTERS
1701 Placentia Avenue
Costa Mesa, CA 92627
Phone: 800-942-6326
Fax: 949-548-5441
E-mail: info@cla-val.com

CLA-VAL EUROPE
Chemin des Mésanges 1
CH-1032 Romanel/
Lausanne, Switzerland
Phone: 41-21-643-15-55
www.cla-val.ch
E-mail: cla-val@cla-val.ch

CLA-VAL PACIFIC
45 Kennaway Road
Woolston, Christchurch, 8023
New Zealand
Phone: 64-39644860
www.cla-valpacific.com
E-mail: info@cla-valpacific.com