



CLA-VAL 343GF/348GF

Hose End Pressure Control Valve

- Durable anodized aluminum body
- Unique one-piece stainless steel piston is stronger and more durable than aluminum pistons
- Larger Springs improve pressure control
- Lowest available pressure loss
- Multiple pressure settings available
- Direct acting spring
- Defueling capable with a lockout device



343GF

The Cla-Val Model 343GF/348GF Hose End Pressure Control Valve (HEPCV) is a direct acting pressure regulator. It is designed for use in aircraft refueling to protect the receiving aircraft from excess pressure and damage due to pressure surges. It is bolted to a Cla-Val Model 341GF or 347GF Aircraft Refueling Nozzle at the end of a delivery hose or a Pantograph used to refuel jet aircraft under pressure.

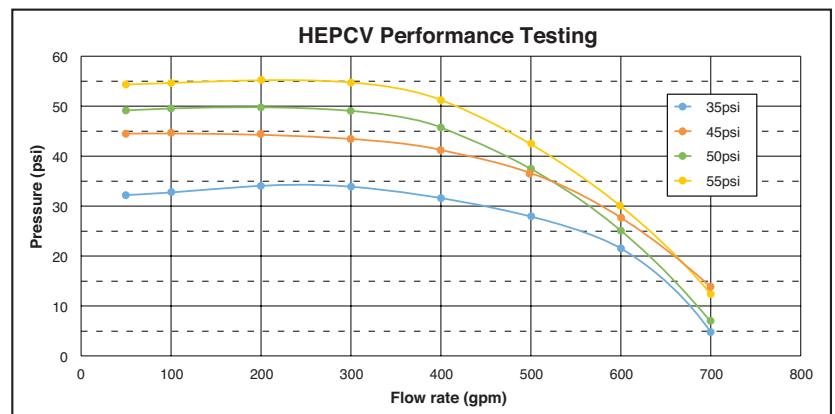
The Cla-Val Model 343GF/348GF HEPCV utilizes the latest in low friction seal technology. Due to the design of the internal components, the HEPCVs provide the best possible surge pressure protection available for aircraft refueling.

The Cla-Val Model 343GF/348GF HEPCV features a flanged inlet for connection to other flanged Cla-Val refueling components (such as a Pantograph, a D-1 swivel joint or another Model 343GF HEPCV), and a flanged outlet that mounts directly to the inlet of the Cla-Val Model 341GF or Cla-Val Model 347GF Nozzle.

The Cla-Val Model 343GF/348GF HEPCV can be ordered in four standard pressure control settings; 35 psig, 45 psig, 50 psig and 55 psig. Other pressure settings can be easily accommodated by special order.



348GF

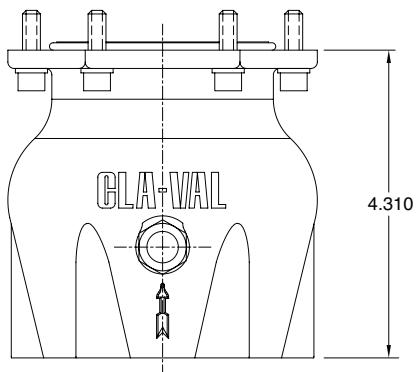
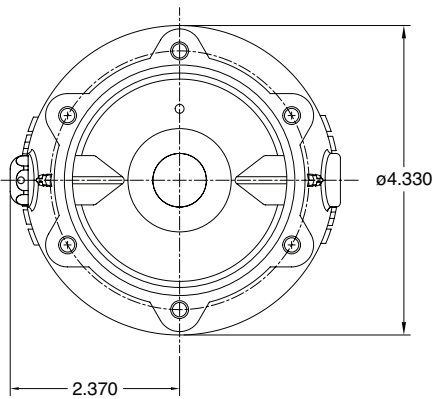




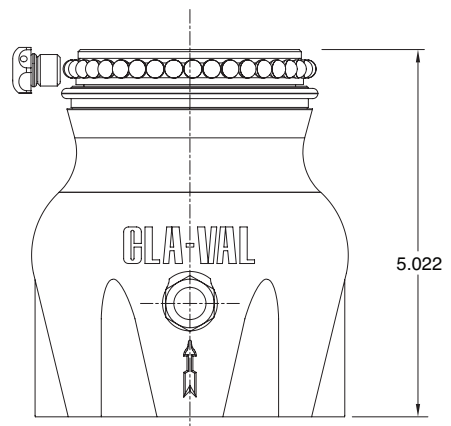
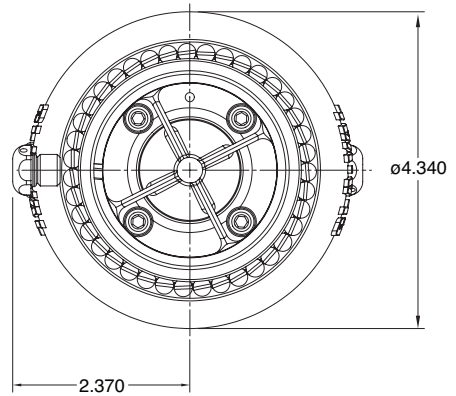
CLA-VAL 343GF/348GF

Hose End Pressure Control Valve

341GF
Nozzle Configurations



347GF
Nozzle Configurations



CLA-VAL
GLOBAL HEADQUARTERS
1701 Placentia Avenue
Costa Mesa, CA 92627
Phone: 800-942-6326
Fax: 949-548-5441
E-mail: info@cla-val.com

CLA-VAL EUROPE
Chemin des Mésanges 1
CH-1032 Romanel/
Lausanne, Switzerland
Phone: 41-21-643-15-55
www.cla-val.ch
E-mail: cla-val@cla-val.ch

CLA-VAL PACIFIC
45 Kennaway Road
Woolston, Christchurch, 8023
New Zealand
Phone: 64-39644860
www.cla-valpacific.com
E-mail: info@cla-valpacific.com