

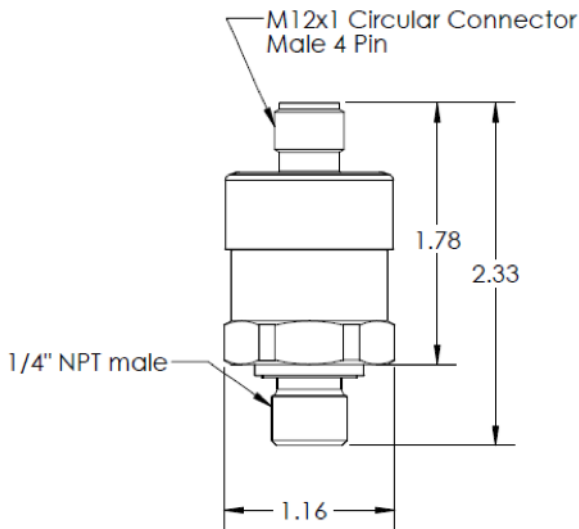


Model X141-PT PRESSURE TRANSMITTER

PRODUCT FEATURES

The Cla-Val Model X141-PT Option consists of a gauge pressure transmitter installed with isolation valves mounted on the main valve inlet and/or outlet. It transmits the pressure via a 4-20mA signal.

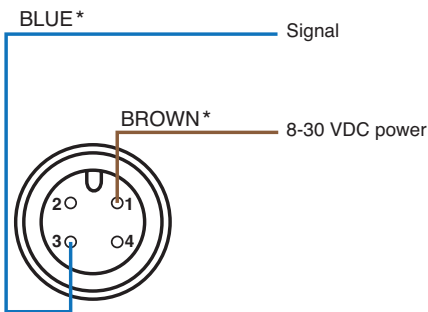
DIMENSIONS



SPECIFICATIONS

- Enclosure:** IP-67
- Process Connection:** 1/4" NPT Male Threaded
- Electrical Connection:** 2 Wire 4-20mA
Supply Voltage 8-30 VDC
Cable Length: 33 Feet (10m)
- Parameters:** Pressure Ranges : 0-290 psi
Accuracy $\pm 0.5\%$ of Span (per IEC 61298-2)
Pressure Overload 2X Max Scale
- Temperature:** **Ambient Temperature:** -40°F to 176°F (-40C to 80C)
Fluid Temperature: 32°F to 176°F (0C to 80C)
- Wetted Material:** 316 Stainless Steel

WIRING



* Wire Color only applicable when using Gray Cla-Val Cable.



CLA-VAL Company
www.cla-val.com
info@cla-val.com
 S-X141-PT (R-08/2022)