



Model X54TD

PRESSURE REDUCING TRANSITION DEVICE

PRODUCT FEATURES

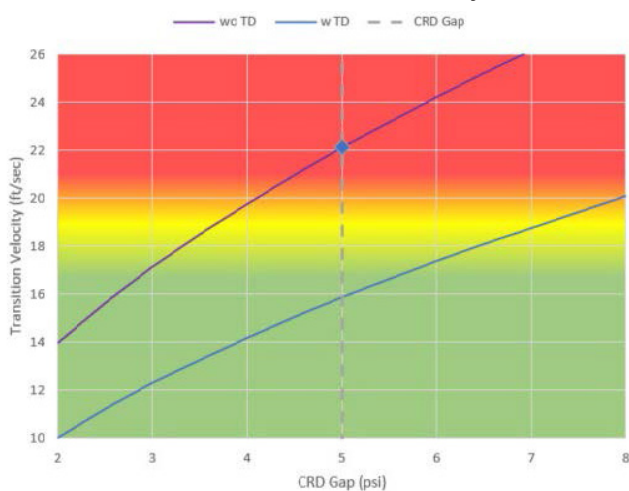
- Easily defined velocity transition point(s) for Pressure Reducing Station
- Bypass valve(s) protection to excessive velocity
- Increased main valve activation
- Minimal flow obstruction
- Verified Lab test

MAIN FUNCTION

The Cla-Val X54TD is a specialty designed device installed on the downstream side of the bypass valve(s) in a Pressure Reducing Station. The device ensures the velocity rate at which the transition happens where the main line valve begins to open. The velocity is governed by the pressure reducing setpoint gap between the pressure reducing valves installed in the main line and the bypass line. Without the Cla-Val X54TD there is an increased risk of the bypass valve(s) flowing excessively high velocities that could cause damage to the valve and decrease the valves lifespan.

See Example Chart below for Pressure Reducing Setpoint gap vs Transition Velocity with and without Transition device. Contact Cla-Val to get accurate chart(s) for your specific station application

Seat Transition Velocity

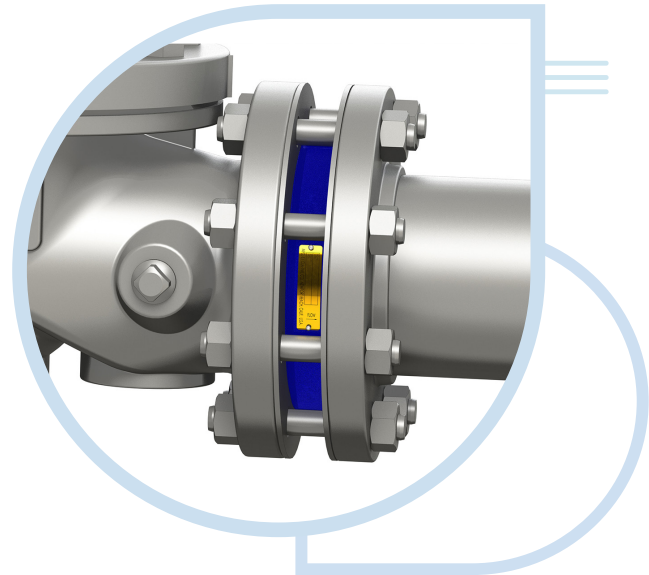


CLA-VAL Company

www.cla-val.com

info@cla-val.com

S-X54TD (R-09/2023)



SPECIFICATIONS

- Design:** Wafer Style
Fits ANSI 125, 150, 250, 300
- Material:** Fusion Bonded Epoxy Coated Ductile Iron with 302 SST Trim
- Available Sizes:** 1.5" to 12"
- Application:** Can be modeled in Cla-Vals propriety Cla-Stn program to provide optimum performance for Pressure Reducing Chamber design

