

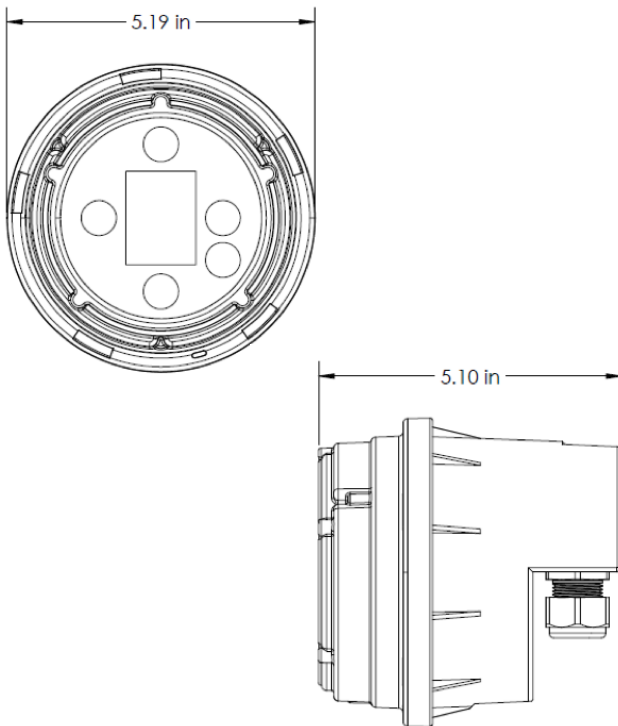


Model X35 DATA MODULE

PRODUCT FEATURES

- The Cla-Val Model X35 accepts Upstream Pressure, Downstream Pressure, Valve Position Data while simultaneously calculating the flow measurement by Cla-Val's proprietary algorithm
- Inlet Pressure, Outlet Pressure, Valve Position, Flow, and Totalized Flow can be retransmitted to SCADA or AMI System and logged to the Internal SD Card
- The X35 is equipped with additional 4-20mA input(s) that can accept field instrumentation signals to be retransmitted or logged to the SD card
- All field instrumentation can easily be viewed in real time through the display to allow for easy setup, troubleshooting or adjustments

DIMENSIONS



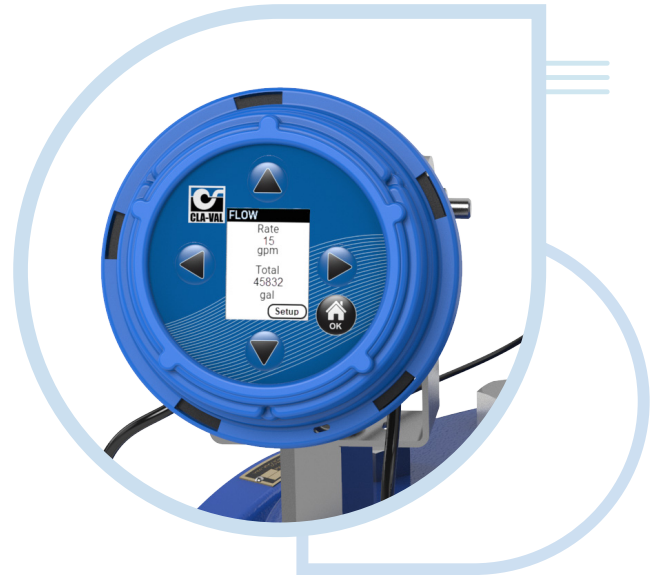
CLA-VAL Company

www.cla-val.com

info@cla-val.com

S-X35 (R-12/2023)

© Copyright CLA-VAL - Specifications subject to change without notice.



SPECIFICATIONS

- Power Requirements:** Voltage: 9-24 VDC Input
Power Consumption
Display Off: 2.2 Watts*
Display On: 3.3 Watts*
* Not Including Transmitters
Reverse Polarity Protection
- Enclosure & Display:** IP-68 Water Resistant up to 6.6 ft (2m) for 1 Month
- Inputs:** 4x Analog Inputs
Type: 4-20mA
Optionally Provides Loop Power
- Outputs:** 4x Analog Outputs
Type: 4-20mA
Provides Loop Power
1x Digital Output
Application: Flow Totalizer Pulse
Type: Dry Contact
- Data Storage:** 32GB SD Card
Periodic Logging of Real Time Data
CSV File Format
- Temperature Range:** Operating Temperature:
14°F to 158°F (-10C to 70C)
Storage Temperature:
-4°F to 176°F (-20C to 80C)
- Mounting:** Available Mounted on Valve or Remote