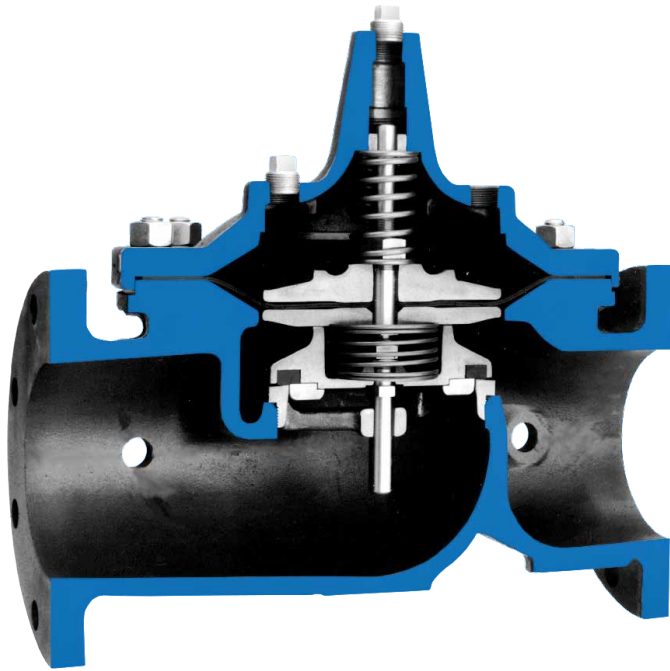




— MODEL — 100-04

Hy-Check Valve



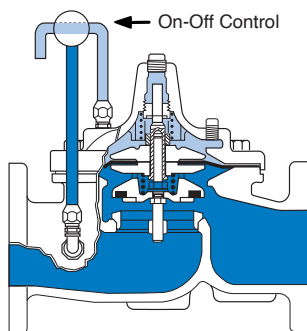
- Built-in Automatic Check Valve
- Drip Tight, Positive Seating
- Globe or Angle Pattern
- Service Without Removal From Line
- Every valve factory-tested

The Cla-Val Model 100-04 Hy-Check Valve is a hydraulically operated diaphragm valve with a built-in check valve feature to prevent return flow. Available in globe or angle pattern, it consists of a body, cover and diaphragm assembly. The diaphragm assembly which is guided top and bottom by a precision machined stem is the only moving part.

A synthetic rubber disc retained on three and one half sides forms a drip-tight seal with the renewable seat when operating pressure is applied above the non-wicking diaphragm. When pressure above the diaphragm is relieved, the valve opens wide. The rate of closing or opening can be controlled by modulating the flow into or out of the cover chamber. When a pressure reversal occurs the split stem will immediately allow the disc retainer assembly to check closed **regardless of the position of the diaphragm.**

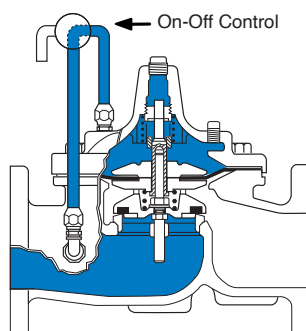
The Model 100-04 is used on system applications such as remote control, pressure regulation, solenoid control, etc.; wherever a positive check feature is necessary to prevent reverse flow. Its packless construction and simplicity of design minimizes maintenance and assures a long dependable service life.

Principle of Operation



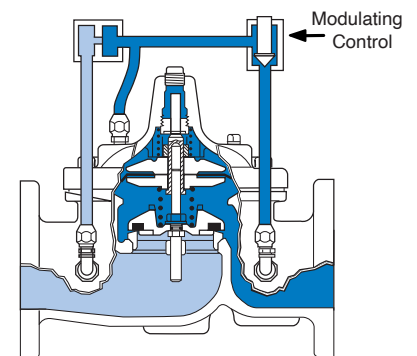
Full Open Operation

When pressure in the cover chamber is relieved to a zone of lower pressure, the line pressure at the valve inlet opens the valve, allowing full flow.



Tight Closing Operation

When pressure from the valve inlet is applied to the cover chamber, the valve closes drip-tight.



Check Action

When a static condition or pressure reversal occurs, the split stem design allows the valve to instantly check closed. Return flow is prevented regardless of the diaphragm's position.

Note: For optimum operation of built-in check feature, installation with stem vertically up is recommended.

Specifications

Model 100-04

Available Sizes

Pattern	Flanged
Globe	2" - 16" 50 - 400 mm
Angle	3" - 16" 80 - 400 mm

Operating Temp. Range

Fluids
-40° to 180° F -40° to 82° C

Pressure Ratings (Recommended Maximum Pressure - psi)

Valve Body & Cover		Pressure Class			
		Flanged			Threaded
Grade	Material	ANSI Standards*	150 Class	300 Class	End‡ Details
ASTM A536	Ductile Iron	B16.42	250	400	400
ASTM A216-WCB	Cast Steel	B16.5	285	400	400
UNS 87850	Bronze	B16.24	225	400	400

Note: * ANSI standards are for flange dimensions only.
Flanged valves are available faced but not drilled.
‡ End Details machined to ANSI B2.1 specifications.
Valves for higher pressure are available; consult factory for details

Materials

Component	Standard Material Combinations		
Body & Cover	Ductile Iron	Cast Steel	Bronze
Available Sizes (inches)	2" - 16"	2" - 16"	2" - 16"
Available Sizes (mm)	50 - 400 mm	50 - 400 mm	50 - 400 mm
Disc Retainer & Diaphragm Washer	Cast Iron	Cast Steel	Bronze
Trim: Disc Guide, Seat & Cover Bearing	Bronze is Standard Stainless Steel is optional		
Disc	Buna-N® Rubber		
Diaphragm	Nylon Reinforced Buna-N® Rubber		
Stem, Nut & Spring	Stainless Steel		
For material options not listed, consult factory. Cla-Val manufactures valves in more than 50 different alloys.			

Options

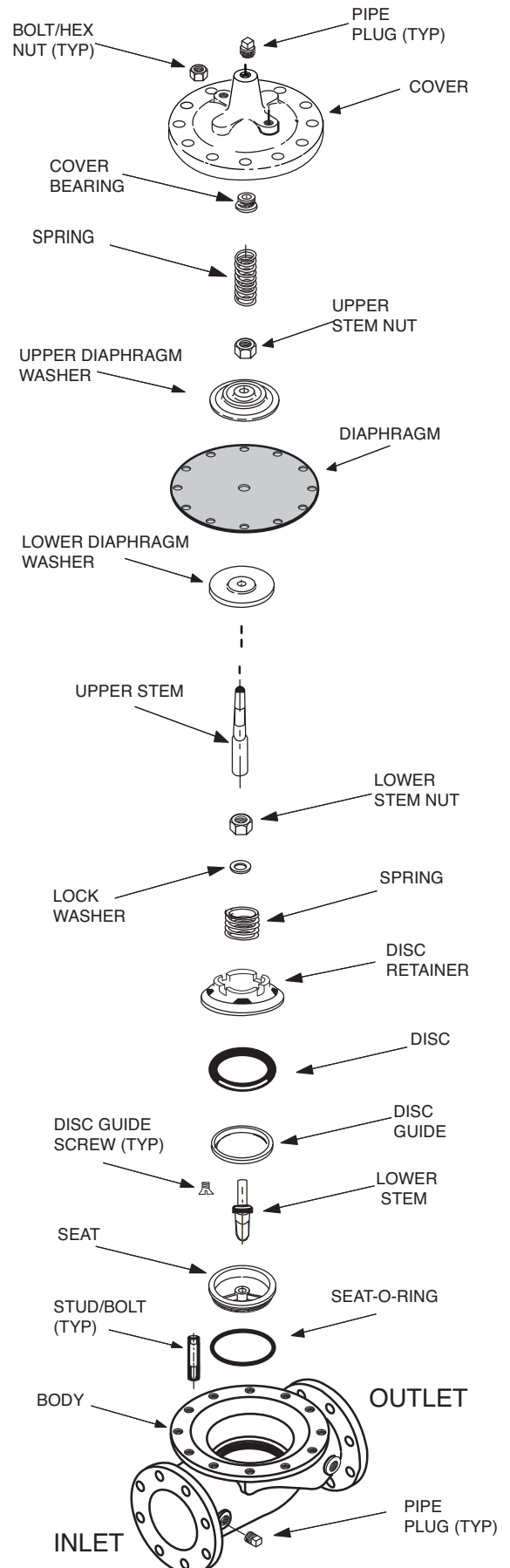
Epoxy Coating - suffix KC

The NSF/ANSI 61 fusion bonded epoxy coating option is for use with cast iron, ductile iron or steel valves. This coating is resistant to various water conditions, certain acids, chemicals, solvents and alkalis. epoxy coatings are applied in accordance with AWWA coating specifications C116-03. Do not use with temperatures above 175° F /80°C.

Viton® Rubber Parts - suffix KB

Optional diaphragm, disc and o-ring fabricated with Viton® synthetic rubber. Viton® is well suited for use with mineral acids, salt solutions, chlorinated hydrocarbons, and petroleum oils; and is primarily used in high temperature applications up to 250°F/120°C. Do not use with epoxy coating above 175°F/80° C.

For assistance in selecting appropriate valve options or valves manufactured with special design requirements, please contact our Regional Sales Office or Factory.



Functional Data

Model 100-04

Valve Size		Inches	2	3	4	6	8	10	12	14	16
		mm.	50	80	100	150	200	250	300	350	400
C _V Factor	Globe Pattern	Gal./Min. (gpm.)	54	115	200	440	770	1245	1725	2300	3130
		Litres/Sec. (l/s.)	13	27.6	48	105.6	184.8	299	414	553	752
	Angle Pattern	Gal./Min. (gpm.)	61	139	240	541	990	1575	2500*	3060*	4200*
		Litres/Sec. (l/s.)	14.6	33.4	58	130	238	378	601	735	1009
Equivalent Length of Pipe	Globe Pattern	Feet (ft.)	51	85	116	211	291	347	467	422	503
		Meters (m.)	15.5	25.9	35.3	64.2	88.6	105.8	142.4	128.6	153.6
	Angle Pattern	Feet (ft.)	40	58	80	139	176	217	222*	238*	247*
		Meters (m.)	12.1	17.8	24.5	42.5	53.6	66.1	67.8	72.7	75.2
K Factor	Globe Pattern		5.6	6.0	5.9	6.2	6.1	5.8	6.1	5.0	4.6
	Angle Pattern		4.4	4.1	4.1	4.1	3.7	3.6	2.9	2.8	2.6
Liquid Displaced from Cover Chamber When Valve Opens	Fl. Oz		—	—	—	—	—	—	—	—	—
	U.S. Gal.		0.3	.08	.17	.53	1.26	2.51	4.0	6.5	9.6
	ml		121	303	643	—	—	—	—	—	—
	Litres		—	—	—	2.0	4.8	9.5	15.1	24.6	36.2

*Estimated

C_V Factor

Formulas for computing C_V Factor, Flow (Q) and Pressure Drop (ΔP):

$$C_V = \frac{Q}{\sqrt{\Delta P}} \quad Q = C_V \sqrt{\Delta P} \quad \Delta P = \left(\frac{Q}{C_V}\right)^2$$

K Factor (Resistance Coefficient)

The Value of K is calculated from the formula: $K = \frac{894d^4}{C_V^2}$ (U.S. system units)

Equivalent Length of Pipe

Equivalent lengths of pipe (L) are determined from the formula: $L = \frac{Kd}{12f}$ (U.S. system units)

Fluid Velocity

Fluid velocity can be calculated from the following formula: $V = \frac{.4085 Q}{d^2}$ (U.S. system units)

Where:

C_V = U.S. (gpm) @ 1 psi differential at 60° F water
or

C_V-l/s = (l/s) @ 1 bar (14.5 PSIG) differential at 15° C water

d = inside pipe diameter of Schedule 40 Steel Pipe (inches)

f = friction factor for clean, new Schedule 40 pipe (dimensionless) (from Cameron Hydraulic Data, 18th Edition, P 3-119)

K = Resistance Coefficient (calculated)

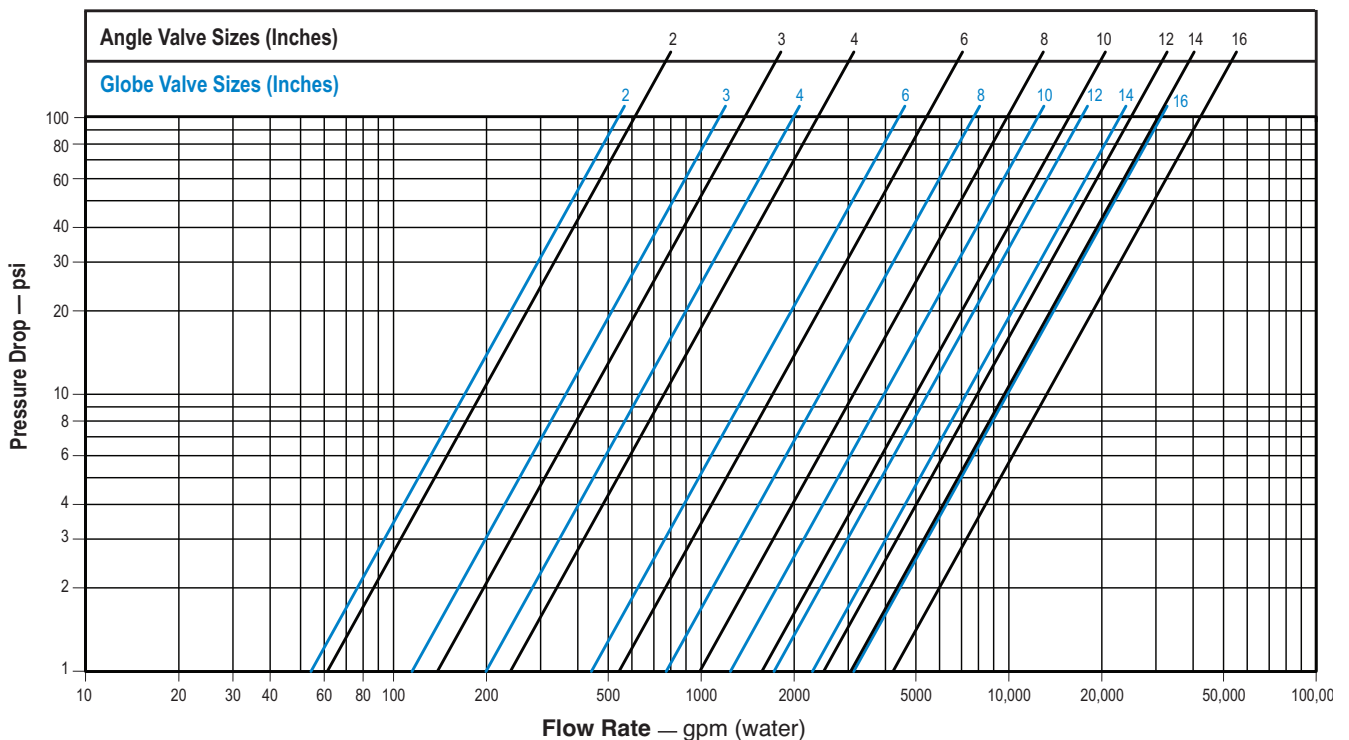
L = Equivalent Length of Pipe (feet)

Q = Flow Rate in U.S. (gpm) or (l/s)

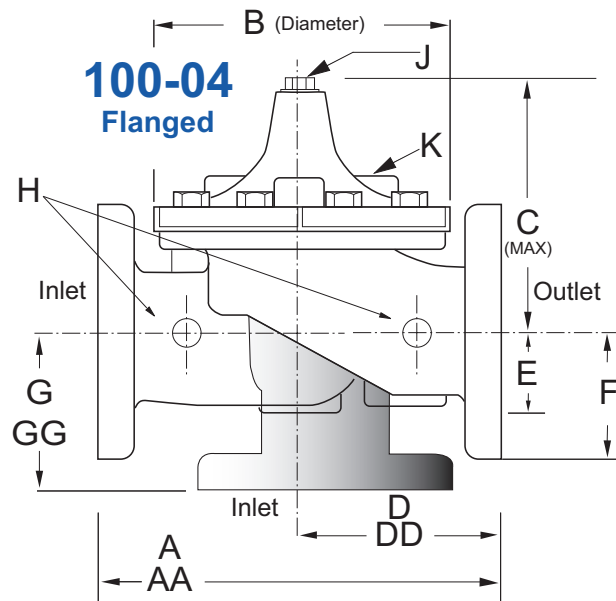
V = Fluid Velocity (feet per second) or (meters per second)

ΔP = Pressure Drop in (psi) or (bar)

Model 100-04 Flow Chart (Based on normal flow through a wide open valve)



Cla-Val 100-04 Hy-Check Main Valve Dimensions



Valve Size (Inches)	2	3	4	6	8	10	12	14	16
A 150 ANSI	9.38	12.00	15.00	20.00	25.38	29.75	34.00	39.00	41.38
AA 300 ANSI	10.00	13.25	15.62	21.00	26.38	31.12	35.50	40.50	43.50
B Diameter	6.62	9.12	11.50	15.75	20.00	23.62	28.00	32.75	35.50
C Maximum	6.50	8.19	10.62	13.38	16.00	17.12	20.88	24.19	25.00
D 150 ANSI	4.75	6.00	7.50	10.00	12.69	14.88	17.00	19.50	20.69
DD 300 ANSI	5.00	6.38	7.81	10.50	13.19	15.56	17.75	20.25	21.75
E	1.50	2.56	3.19	4.31	5.31	6.25	7.12	8.00	8.88
F 150 ANSI	2.50	3.75	4.50	5.50	6.75	8.00	9.50	10.50	11.75
FF 300 ANSI	3.25	4.13	5.00	6.25	7.50	8.75	10.25	11.50	12.75
G 150 ANSI	3.25	4.00	5.00	6.00	8.00	8.62	13.75	14.88	15.69
GG 300 ANSI	3.25	4.38	5.31	6.50	8.50	9.31	14.50	15.62	16.50
H NPT Body Tapping	0.38	0.50	0.75	0.75	1.00	1.00	1.00	1.00	1.00
J NPT Cover Center Plug	0.50	0.50	0.75	0.75	1.00	1.00	1.25	1.50	2.00
K NPT Cover Tapping	0.38	0.50	0.75	0.75	1.00	1.00	1.00	1.00	1.00
Stem Travel	0.60	.080	1.10	1.70	2.30	2.80	3.40	4.00	4.50
Approx. Ship Weight (lbs)	35	70	140	285	500	780	1165	1500	2265

Valve Size (mm)	50	80	100	150	200	250	300	350	400
A 150 ANSI	238	305	381	508	645	756	864	991	1051
AA 300 ANSI	254	337	397	533	670	790	902	1029	1105
B Diameter	168	232	292	400	508	600	711	832	902
C Maximum	165	208	270	340	406	435	530	614	635
D 150 ANSI	121	152	191	254	322	378	432	495	526
DD 300 ANSI	127	162	200	267	335	395	451	514	552
E	38	65	81	109	135	235	273	321	394
F 150 ANSI	76	95	114	140	171	203	241	267	298
FF 300 ANSI	83	105	127	159	191	222	260	292	324
G 150 ANSI	83	102	127	152	203	219	349	378	399
GG 300 ANSI	89	111	135	165	216	236	368	397	419
H NPT Body Tapping	0.38	0.50	0.75	0.75	1.00	1.00	1.00	1.00	1.00
J NPT Cover Center Plug	0.50	0.50	0.75	0.75	1.00	1.00	1.25	1.50	2.00
K NPT Cover Tapping	0.38	0.50	0.75	0.75	1.00	1.00	1.00	1.00	1.00
Stem Travel	15	20	28	43	58	71	86	102	114
Approx. Ship Weight (kgs)	16	32	64	129	227	354	528	726	1027

Service

Cla-Val Control Valves operate with maximum efficiency when mounted in horizontal piping with the main valve cover UP, however, other positions are acceptable. Due to component size and weight of 8 inch and larger valves, installation with cover UP is advisable. We recommend isolation valves be installed on inlet and outlet for maintenance. Adequate space above and around the valve for service personnel should be considered essential. A regular maintenance program should be established based on the specific application data. However, we recommend a thorough inspection be done at least once a year. Consult factory for specific recommendations.