

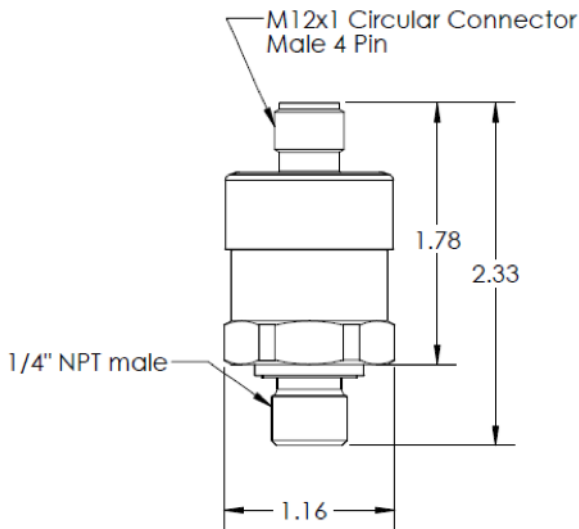


# Model X141-PTV PRESSURE TRANSMITTER

## PRODUCT FEATURES

The Cla-Val Model X141-PTV Option consists of a gauge pressure transmitter installed with isolation valves mounted on the main valve inlet and/or outlet. It transmits the pressure via a 0.5 - 4.5 VDC ratiometric signal.

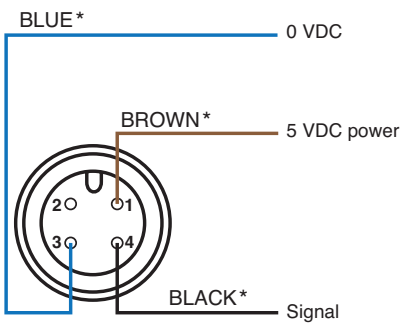
## DIMENSIONS



## SPECIFICATIONS

- Enclosure:** IP-67
- Process Connection:** 1/4" NPT Male Threaded
- Electrical Connection:** 2 Wire 0.5 - 4.5 VDC Ratiometric  
Supply Voltage 5 VDC  
Cable Length: 6.5 Feet (2m)
- Parameters:** Pressure Ranges : 0-290 psi  
Accuracy  $\pm 0.25\%$  of Span (per IEC 61298-2)  
Pressure Overload 2X Max Scale
- Temperature:** **Ambient Temperature:** -40°F to 176°F (-40C to 80C)  
**Fluid Temperature:** 32°F to 176°F (0C to 80C)
- Wetted Material:** 316 Stainless Steel

## WIRING



\* Wire Color only applicable when using Gray Cla-Val Cable.

**CLA-VAL** Company  
www.cla-val.com  
info@cla-val.com  
S-X141-PTV (R-05/2023)