

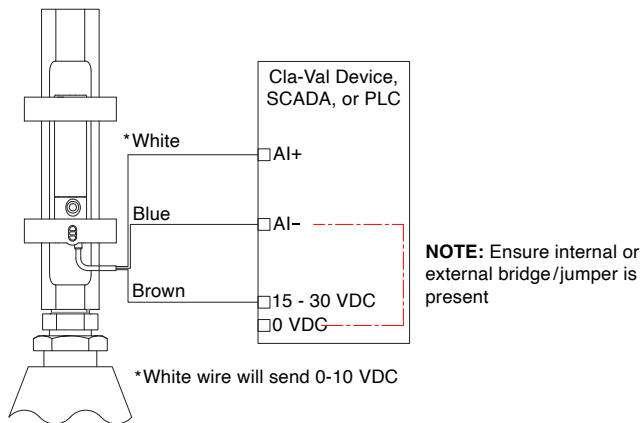


# Model e-Lift-35 VALVE POSITION TRANSMITTER

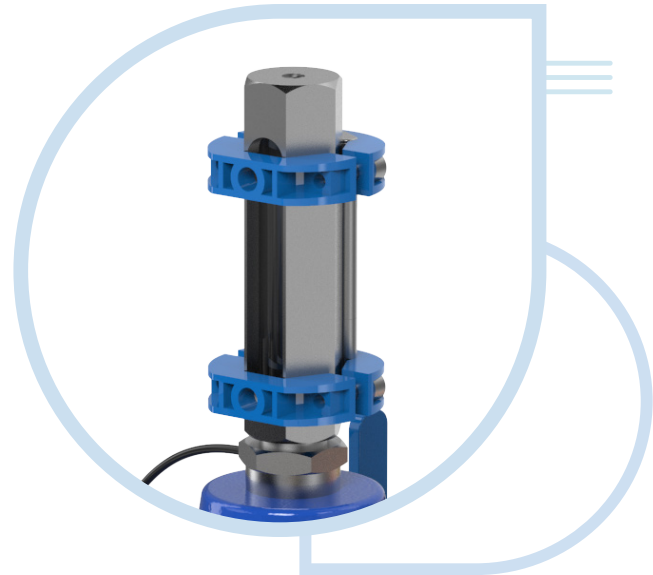
## PRODUCT FEATURES

The Cla-Val Model e-Lift-35 Valve Position Transmitter is an accurate monitor of the valve position. Through an industry standard 0-10 VDC output signals, the e-Lift-35 delivers the accuracy required for computer-guided control valve systems (SCADA).

## WIRING



See Model X101D for details and dimensions



## SPECIFICATIONS

- Fits Valve Sizes:** 1-1/2" to 16"
- Enclosure:** IP-68 Water Resistant up to 6.6 ft (2m) for 1 Month
- Temperature Range:**
  - Ambient Temperature:** -13°F to 185°F (-25C to 85C)
  - Fluid Temperature:** 32°F to 185°F (0C to 85C)
- Electrical Conn.:**
  - Cable Length: 6.6 Feet (2m)
  - Power Supply Voltage 15-30 VDC
  - Output Signal 0-10 VDC
- Parameters:**
  - Pressure Rating: 360 psi max
  - Accuracy:  $\pm 100 \mu\text{m}$
- Standard Materials:**
  - Site Tube: Pyrex
  - Site Tube Housing: 316 Stainless Steel

CLA-VAL Company

[www.cla-val.com](http://www.cla-val.com)

[info@cla-val.com](mailto:info@cla-val.com)

S-e-Lift-35 (R-04/2023)