



CV-Log-35

*Multi-Channel Data
Logger*



Wiring Diagram Appendix

Version 2.0



Table of Contents

A.1 Generic Overview (4x Analog Inputs, 2x Digital Inputs)	3
A.2 Cla-Box 10 Typical Wiring (1x E-Lift-35, 2x X141-PTV).....	4
A.3 Internal Battery Connection	5
A.4 External Battery Connection.....	6
A.5 External Power Connection	7

A.1 Generic Overview (4x Analog Inputs, 2x Digital Inputs)

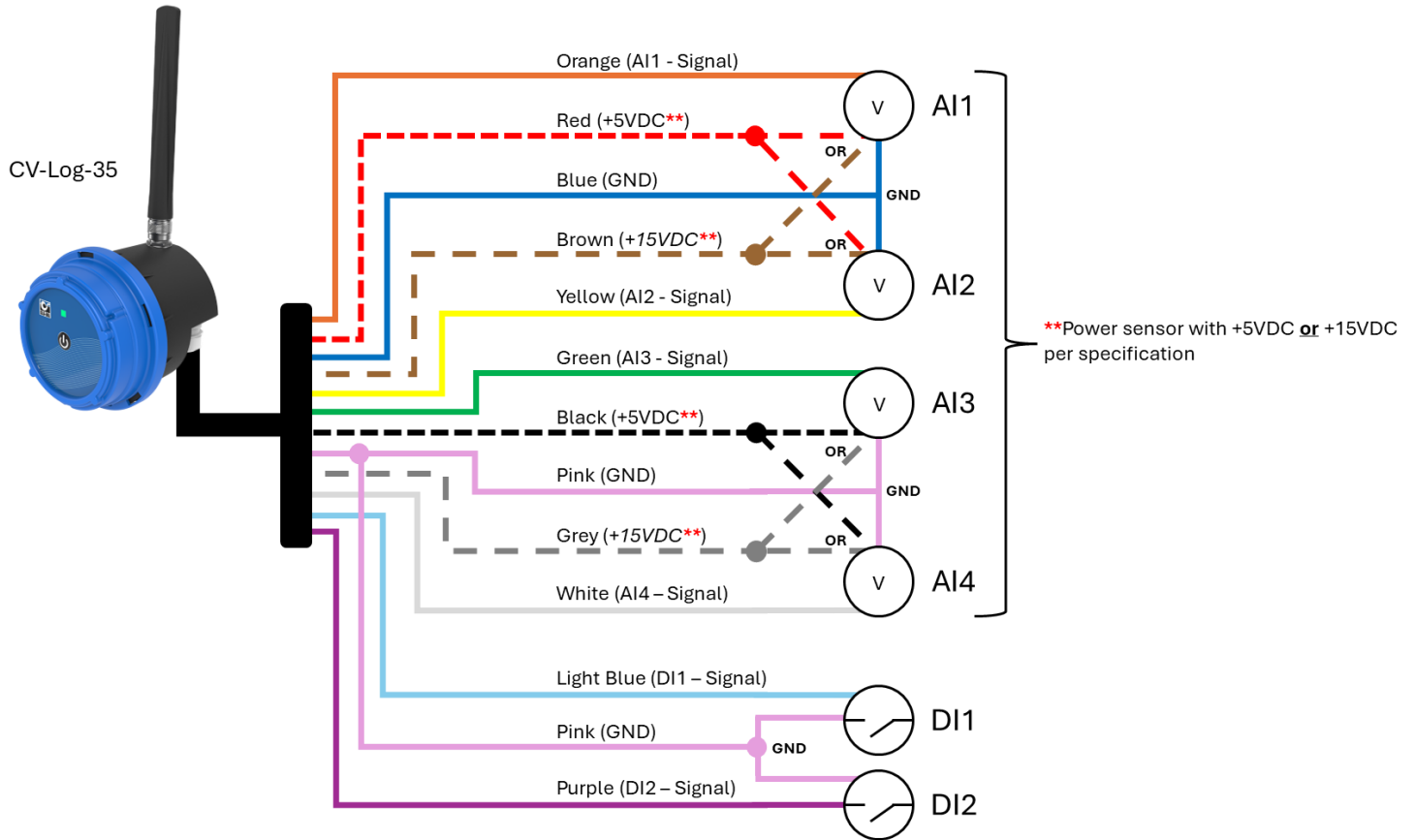


Figure A.1

!
WARNING

DISCONNECT
POWER SUPPLY
BEFORE WIRING

A.2 Cla-Box 10 Typical Wiring (1x E-Lift-35, 2x X141-PTV)



!
WARNING

DISCONNECT
POWER SUPPLY
BEFORE WIRING

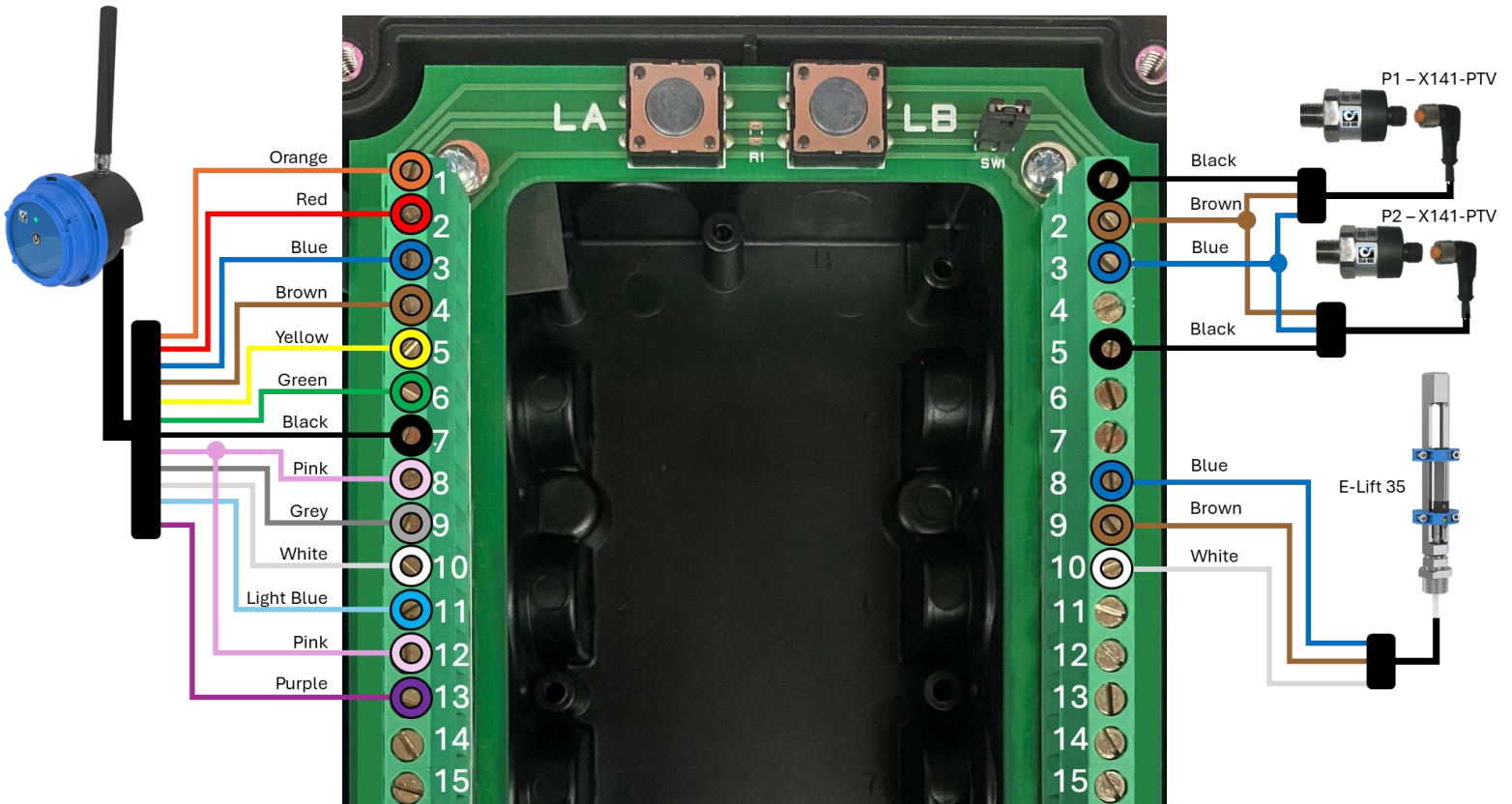


Figure A.2

A.3 Internal Battery Connection

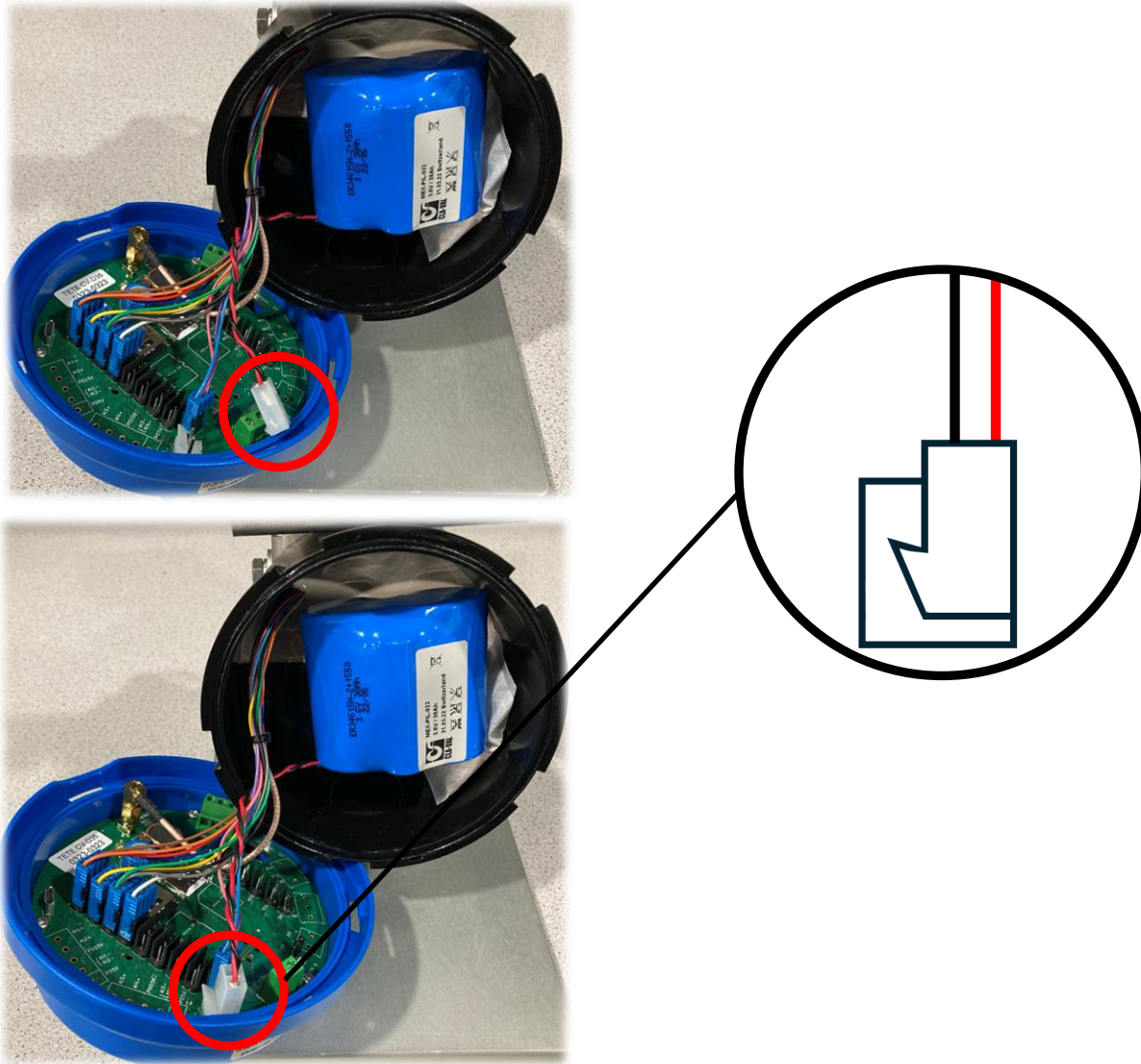


Figure A.3

A.4 External Battery Connection

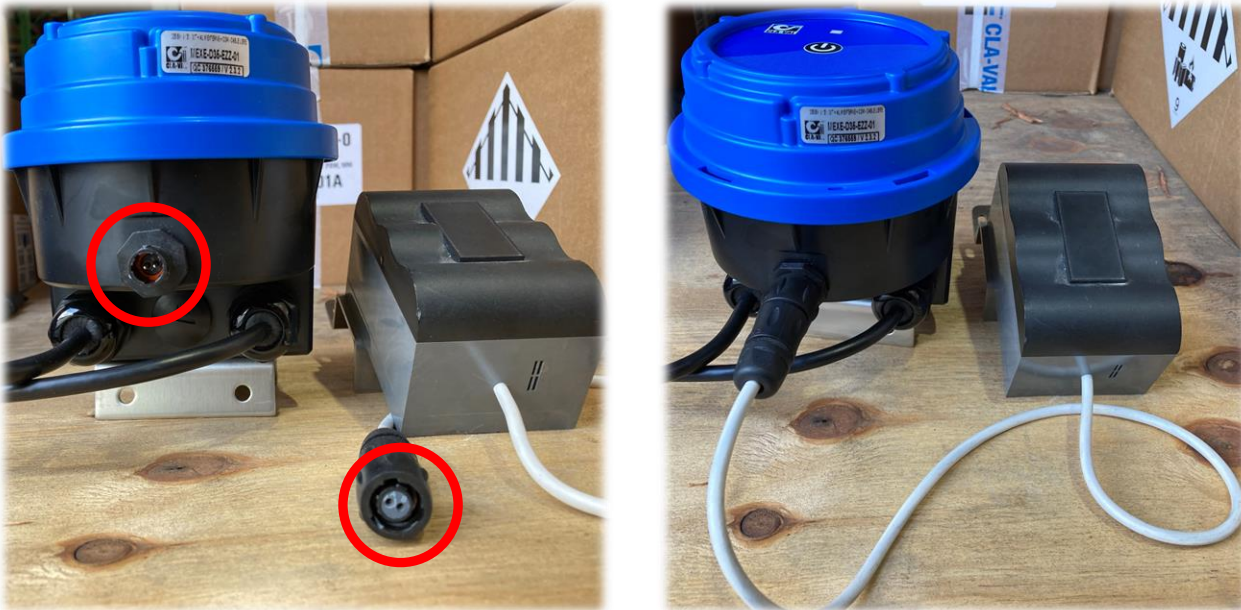


Figure A.4

A.5 External Power Connection



Figure A.5

Wire	Termination
Red/ #1	6-24VDC (1.5A min)
Blue/ #2	0VDC