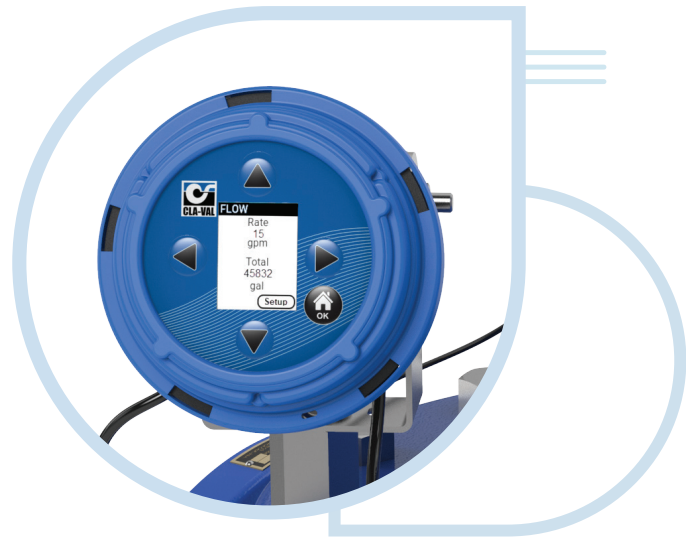




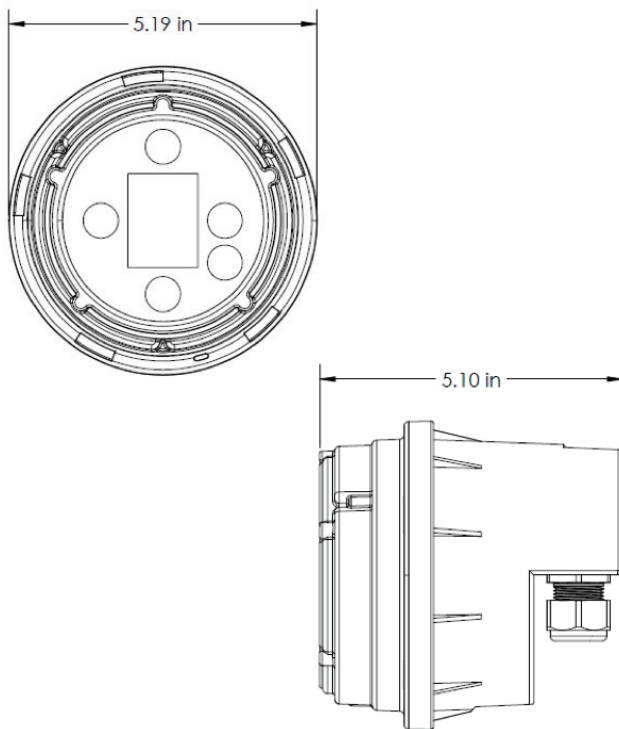
# Model X35 DATA MODULE

## PRODUCT FEATURES

- The Cla-Val Model X35 accepts Upstream Pressure, Downstream Pressure, Valve Position Data while simultaneously calculating the flow measurement by Cla-Val's proprietary algorithm
- Inlet Pressure, Outlet Pressure, Valve Position, Flow, and Totalized Flow can be retransmitted to SCADA or AMI System and logged to the Internal SD Card
- The X35 is equipped with additional 4-20mA input(s) that can accept field instrumentation signals to be retransmitted or logged to the SD card
- All field instrumentation can easily be viewed in real time through the local display or PC, Tablet or Smartphone via WIFI platform to allow for easy setup, troubleshooting or adjustments.



## DIMENSIONS



## SPECIFICATIONS

- Power Requirements:**
  - Voltage: 9-24 VDC Input
  - Power Consumption
    - Display Off: 2.2 Watts\*
    - Display On: 3.3 Watts\*
  - \* Not Including Transmitters
  - Reverse Polarity Protection
- Data Storage:**
  - 32GB SD Card
  - Periodic Logging of Real Time Data
  - CSV File Format
- Temperature Range:**
  - Operating Temperature: 14°F to 158°F (-10C to 70C)
  - Storage Temperature: -4°F to 176°F (-20C to 80C)
- Enclosure & Display:**
  - IP-68 Water Resistant up to 6.6 ft (2m) for 1 Month
- Inputs:**
  - 4x Analog Inputs
  - Type: 4-20mA
  - Optionally Provides Loop Power
- Mounting:**
  - Available Mounted on Valve or Remote
- Outputs:**
  - 4x Analog Outputs
  - Type: 4-20mA
  - Provides Loop Power
  - 1x Digital Output
  - Application: Flow Totalizer Pulse
  - Type: Dry Contact
- User Interface:**
  - Wi-Fi 802.11n/ac for local configuration
  - Local Display with Five Buttons

