



Model X81

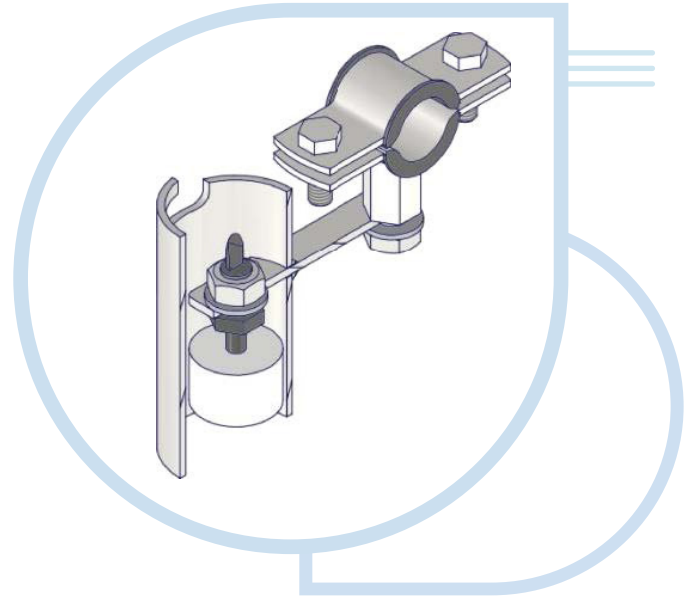
WATERGUARD ANTI-FLOODING FLOAT DEVICE

PRODUCT DESCRIPTION

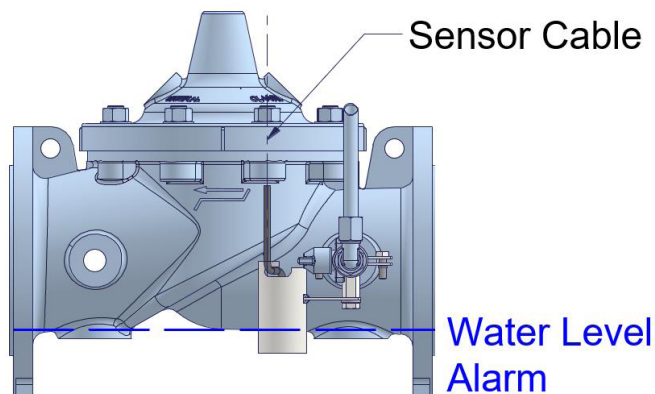
The Model X81 Waterguard Anti-flooding device can be directly connected to a Cla-Val VC-22D, CV-Log-35 logger or any monitoring devices.

In case of flooding or high levels of water in the valve chamber, the Cla-Val Waterguard will alert the end user immediately of the event occurrence allowing corrective action to be taken.

When specifically paired with Cla-Val CV-Log-35 and Cla-Val Link2Valves, an email alert can be sent immediately of event.



Electrical Connection



SPECIFICATIONS

- Temperature Range:**
-4°F to 221°F (-20C to 105C)
- Electrical:**
0.4A @ 300 VDC max
- Housing & General:**
L 4.3in x H 3.8in (L 110mm x H 89mm)
Protection: IP68 (2m, 1 month)

CLA-VAL Company
www.cla-val.com
info@cla-val.com
Model S-X81 (R-04/2025)